

## IS 5046

NON SPARKING CUM RESTRICTED BREATHING  
WELL GLASS LUMINAIRE

### Description

Non sparking cum restricted breathing well glass luminaire with toughened heat resistant glass. The glass is fitted with a special U section gasket and clamped to the main body by a retaining ring. An enclosed break lamp holder with a special device for vibration free lamp locking is provided. An SS chain is provided for re-lamping. Anti-vibration slotted terminals are used for safe termination.

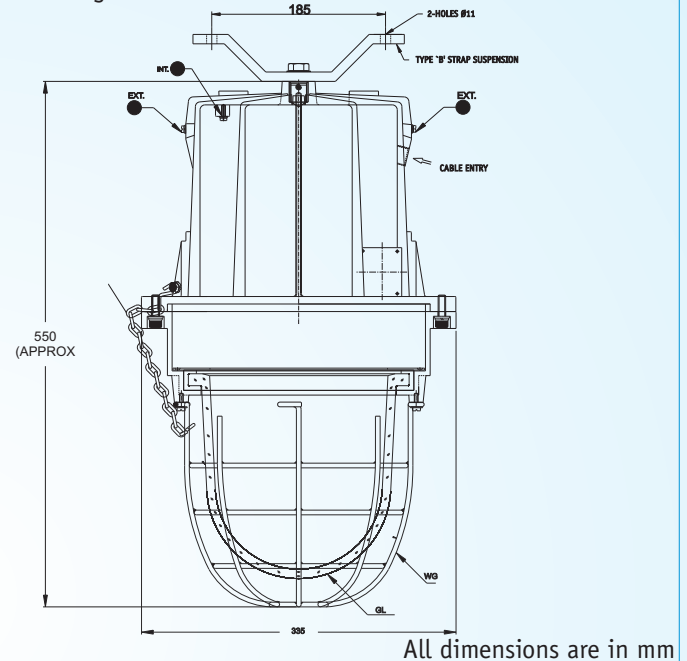
### Mechanical Data

|               |  |
|---------------|--|
| Material      | : Aluminium LM6  |
| Weight        | : 20 Kg (Approx)   |
| IP Protection | : IP 65 to IS 12063/87 (IEC 60529/1989)                  |
| Finish        | : Anti corrosive epoxy powder coated                     |
| Cable Entry   | : 2 x 3/4 " ET   |
| Glass         | : Toughened Borosilicate clear well glass                |
| Wireguard     | : 5 mm welded steel construction(MS) epoxy powder coated |
| Reflector     | : Aluminium Polished - Mirror Finish                     |
| Suspension    | : Type 'B' Ceiling bracket                               |
| Gasket        | : Neoprene   |

### Electrical Data

|                   |  |
|-------------------|--|
| Voltage           | V : 230 V AC , 50 Hz   |
| Lamp Wattage      | W: Refer to adjacent chart   |
| Lamp Holder       | : GES Porcelain enclosed break ES 40   |
| Wiring            | : Fibreglass class F insulated 2.5 sq.mm Standard copper   |
| Terminals         | : 2 Nos - Anti- vibration Brass Nickel plated mounted on a glass fibre reinforced DMC Terminal block |
| Max. Cable size   | : 3 x 6 sq.mm  |
| Int. Terminations | : Slotted 6 sq.mm crimping lugs.   |
| Earthing          | : External 2 Nos - M6<br>Internal 1 No - M5  |

GA Drawing



|                       |   |
|-----------------------|---|
| Type of protection    | ExnR ( Non sparking Restricted Breathing )                                      |
| Area Classification   | Zone 2  |
| Apparatus Standard    | IS: 13346/04 (IEC:60079-0/00),<br>IEC 6079-15/05<br>IS 12063/87 (IEC: 60529/89) |
| CIMFR Certificate No. | CIMFR / TC / PH43   |
| Approvals             | CCE   |
| Temp Rating           | Refer to the table below  |

| Lamp Rating (W) | Temp Class |
|-----------------|------------|
| 250W HPMV       | T4         |
| 250W HPSV       | T4         |
| 250W MH         | T4         |
| 400W MH         | T3         |
| 400W HPMV       | T3         |
| 400W HPSV       | T3         |