

IS 5061

NON SPARKING CUM RESTRICTED BREATHING WELL GLASS LUMINAIRES



Mechanical Data

Material	: Aluminium LM6
Weight	: 3.5 Kg
IP Protection	: IP 65 as per IS-12063/1987 (IEC 60529/1989)
Finish	: Anti corrosive Epoxy powder coated
Cable Entry	: 2 x (0.75" ET / 0.5" NPT / BSP / M20/M16)
Glass	: Toughened Borosilicate
Wireguard	: 5 mm Welded Steel Construction
Reflector	: Al Polished Mirror Finish
Suspension	: Type 'B' Ceiling bracket
Hinge	: 'J' Hook Arrangement
Gasket	: Neoprene
Hardware	: Stainless Steel (SS-304)

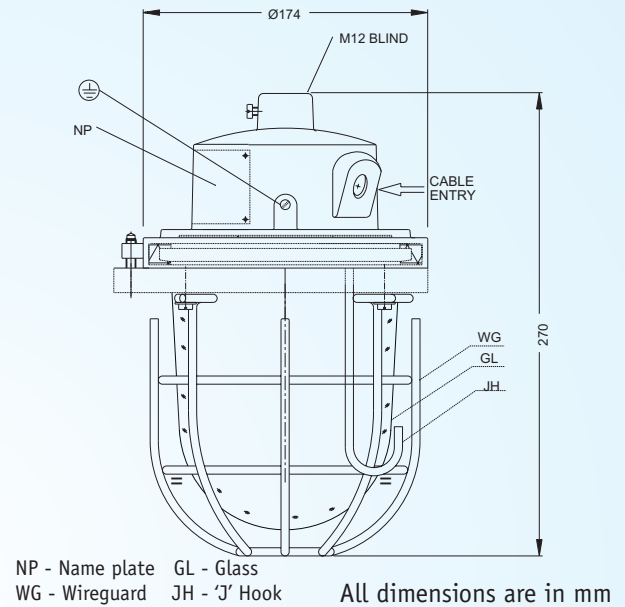
Electrical Data

Voltage	V : 230 V AC , 50 Hz
Lamp Holder	: Porcelain Exn enclosed break GES-E40
Wiring	: Fibreglass class F insulated 2.5 sq.mm Standard copper
Terminals	: 2 Nos - Anti- vibration brass nickel plated mounted on a glass fibre reinforced DMC Terminal block
Max. Cable size	: 3 X 4 sq.mm
Int. Terminations	: Slotted 6 sq.mm crimping lugs.
Earthing	: External 2 Nos - M6 Internal 1 No - M5

Description

Non Sparking Cum Restricted breathing well glass luminaire with toughened heat resistant glass. The glass is fitted with a special "U" section gasket and clamped to the main body by a retaining ring. An enclosed break lamp holder with a special device for vibration free lamp locking is provided. Anti-vibration terminals are used for safe termination.

GA Drawing

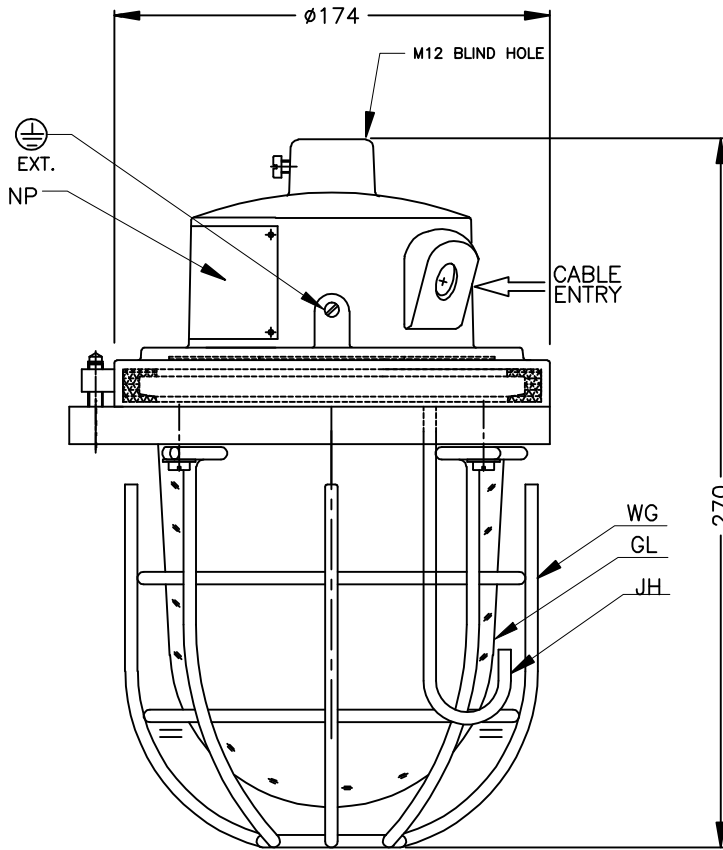


Type of protection	Non Sparking cum Restricted Breathing
Area Classification	Zone 2
Apparatus Standard	IS - 13346/04(IEC 60079-0/00), IS/IEC 60079-15/05, IS 12063/1987 (IEC 60529/1989)
CIMFR Certificate No.	CIMFR/TC/S/H616
Temp Rating	Refer to the chart below
Wattage	Refer to the chart below.

Lamp Rating	Temp Rating
80 W HPMV 250 V ac (max.)	T4 at 30 deg. Cel. Ambient
125 W HPMV 250 V ac (max.)	T4 at 30 deg. Cel. Ambient
70 W HPSV 250 V ac (max.)	T5 at 30 deg. Cel. Ambient
70 W MH 250 V ac (max.)	T4 at 30 deg. Cel. Ambient
100 W GLS 250 V ac (max.)	T4 at 30 deg. Cel. Ambient
160 W MLL 250 V ac (max.)	T3 at 30 deg. Cel. Ambient
200 W GLS 250V ac (max.)	T3 at 30 deg. Cel. Ambient

IF IN DOUBT ASK

DO NOT SCALE



NOTES:

- GL - WELLGLASS (TOUGHENED BOROSILICATE CLEAR GLASS)
- WG - WIRE GUARD (M.S, EPOXY POWDER COATED - WHITE COLOUR)
- LAMP HOLDER - ENCLOSED BREAK SCREW TYPE (PORCELAIN)
- LAMP TO SUIT - REFER TABLE
- JH - "J" HOOK
- INTERNAL REFLECTOR - AL. POLISHED
- NP - NAME & WARNING PLATE (SS)
- EARTHING - 2Nos. EXTERNAL & 1No. INTERNAL
- HARDWARE - SS304

LAMP TO SUIT	TEMP CLASS
80W HPMV	T5
125W HPMV	T4
160W MLL	T3
70W HPSV	T5
70W MH	T4
100W GLS	T4
200W GLS	T3

ALL DIMENSIONS ARE IN MM.

CABLE ENTRY: 2Nos. 0.75 ET	CUSTOMER :	-	TITLE : Exn'R' NON SPARKING CUM RESTRICTED BREATHING WELL GLASS LUMINAIRE			
	CONSULTANT :	-	CAT No : IS-5061			
	PROJECT :	-	CLASSIFICATION : Exn'R' IP65 ZONE 2			
	P.O No. :	-	WT.:3.8KGS (APPROX.)	MATL.: LM-6	ITEM No.:	QTY.:
	FINISH : EPOXY POWDER COATED LIGHT GREY (SHADE-631 OF IS:5)		TOLERANCE : ±5mm		FOR INFORMATION ONLY	
CMRI : CIMFR/TC/P/H54 DT. 29.04.2008	IS:13346/04 (IEC:60079-0/00)	NAME	DATE	SHEET 1 OF 1		
CCE : P213657/1 DT. 22.07.2008	IS :6381/04(IEC:60079-7/01)	REV-1				
	IS:12063/87 (IEC:60529/89)	REV-2				
Baliga Lighting Equipments Private Limited, KOVILAMBAKKAM, CHENNAI-600117, INDIA.		DRN.	S.S	18.03.09	DRG. No.	REV
		CHKD.			QEIS506101	0
		APPD.				

केन्द्रीय खनन एवं ईंधन अनुसंधान संस्थान

(वैज्ञानिक तथा औद्योगिक अनुसंधान परिषद)
बरवा रोड, धनबाद - 826 001, झारखण्ड, भारत



ADDITIONAL SECOND COPY

Central Institute of Mining and Fuel Research

Formerly : Central Mining Research Institute
(Council of Scientific & Industrial Research)
BARWA ROAD, DHANBAD-826 001, JHARKHAND, INDIA

REGISTERED POST/COURIER SERVICE

No. CIMFR/TC/PH/54
Equipment ID NO. 119/08

Dated: 29th April 2008
Code No. FLP/11A/08-9

To,
M/S. BALIGA LIGHTING EQUIPMENTS PRIVATE LIMITED ,
389, MEDAVAKKAM ROAD, KOVILAMBAKKAM,
CHENNAI-600 117,INDIA

Sub: Non sparking cum Restricted breathing Exn'R' testing as per IS/IEC 60079-15:2005 and weatherproof testing as per IS: 12063 -1987 (IEC 60529-1989) for your Well glass luminaire as designated by Cat No. IS 5061 for use in Zone 2 area only.

- Report on (PROTOTYPE)

Your Ref. No.: CIMFR/6/135/PROTO

Dated: 19.12.2007

Dear Sir,

Please find enclosed the Test Report (Prototype) of the above sample submitted by you.

Charges of Rs. 12,068/- (Rupees Twelve thousand & Sixty eight only) including applicable service charges involved towards the testing /issuing the schedule have been adjusted against the advance deposit made by you.

Kindly arrange to collect the sample within 90 days from the date of receipt of this letter failing which CIMFR would dispose off the sample by public auction without any further NOTICE to you.

Kindly acknowledge receipt.

Thanking you.

Yours faithfully,

(G.M. PRASAD)
HEAD OF THE DEPARTMENT
TESTING CELL

Encl:-As above.
Proto Test Report in Triplicate
Copy to: 1. Head, Flame & Explosion Lab.
2. Bill Section.

1 of 7