

FLPW 2595

FLAME PROOF WELL GLASS LUMINAIRE



Mechanical Data

Material	: Aluminium LM6
Weight	: 11.0 Kg
IP Protection	: IP 65 as per IS-12063/1987 (IEC 60529/1989)
Finish	: Anti corrosive Epoxy powder coated
Cable Entry	: 2 x (0.75" ET / 0.5" NPT / BSP / M20)
Glass	: Toughened Borosilicate
Wireguard	: 5 mm Welded Steel / MS Construction
Reflector	: Mild Steel - Vitreous Enamelled / SS
Suspension	: Type 'B' Ceiling bracket
Hinge	: Chain Arrangement
Gasket	: Neoprene
Hardware	: Stainless Steel (SS-304)

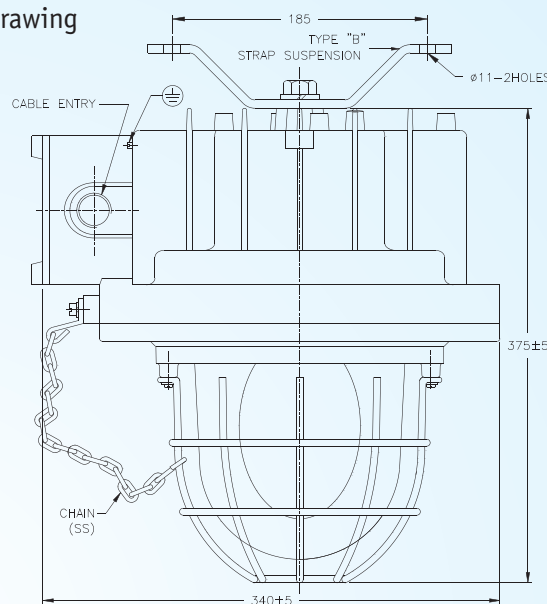
Electrical Data

Voltage	V : 230 V AC , 50 Hz
Lamp Wattage	W : 250 / 400 W HPMV / 300 / 500 W GLS
Lamp Holder	: Porcelain ES Cap - E 27 / E 40
Wiring	: Fibreglass class F insulated 2.5 sq.mm Stranded copper
Max. Cable size	: 3C x 6 sq.mm
Insulators	: Glass fibre reinforced DMC
Earthing	: External 2 Nos - M6 Internal 1 No - M5

Description

Explosion proof well glass luminaire with an integral control gear. An imported toughened clear well glass which is screwed into a retaining ring is bolted to the main body. The control gear along with the lamp holder is mounted on suitable brackets for ease of wiring and proper heat dissipation.

GA Drawing

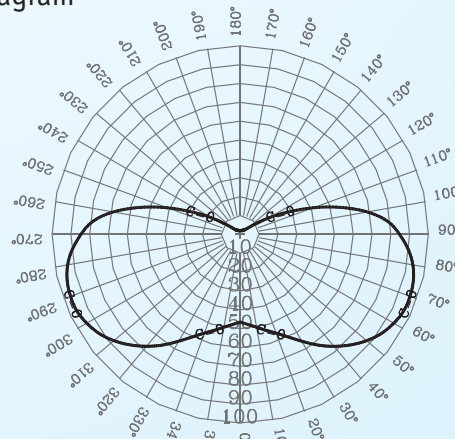


All dimensions are in mm

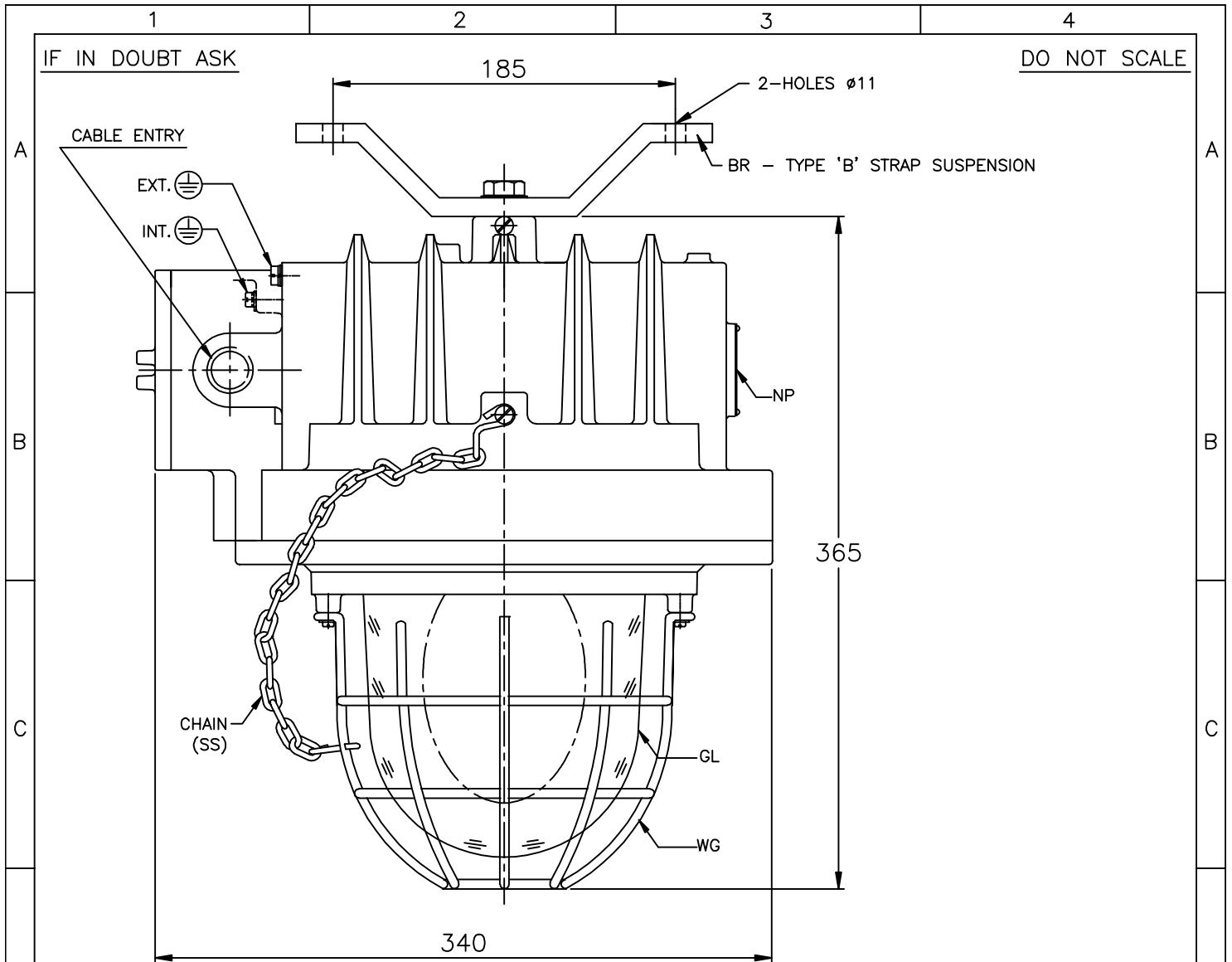
Type of protection	Flame Proof - Exd			
Area Classification	Zone 1 & 2			
Gas Groups	Group I, II A ,II B & II C			
Apparatus Standard	IS:2148-2004 (IEC 60079-1/2001) IS- 2206 Part I			
CIMFR Certificate No.	CIMFR/TC/SR/H1113			
Approvals	CCE,BIS			
Temp Rating	T6	T6	T6	T4
Wattage Rating	W 250 HPMV	300 GLS	400 HPMV	500 GLS

Polar Diagram

Scale : 10.0 Cd/Klm



Lamp Setting : Normal
Lamp Type : 250 W HPL-N MV



NOTES:

- GL -WELLGLASS (TOUGHENED BOROSILICATE CLEAR GLASS TYPE"A")
- WG -WIRE GUARD (M.S, EPOXY POWDER COATED - WHITE COLOUR)
- LAMP HOLDER - GES (PORCELAIN) ES-40
- INTERNAL REFLECTOR - AL. POLISHED.
- LAMP TO SUIT - 250W HPMV
- EARTHING - 2Nos. EXTERNAL & 1No. INTERNAL
- NP - NAME & WARNING PLATE (SS)
- HARDWARES - SS304

ALL DIMENSIONS ARE IN MM.

E	CABLE ENTRY: 2Nos. 0.75 ET		CUSTOMER : -		TITLE : EXPLOSIONPROOF INTEGRAL WELL GLASS LUMINAIRE			
			CONSULTANT : -		CAT No : FLPW-2595			
F			PROJECT : -		CLASSIFICATION : Exd IIC IP65 ZONE 1&2 T3			
			P.O No. : -		WT.:11KGS (APPROX.)	MATL.: LM-6	ITEM No.:	QTY.:
		FINISH : EPOXY POWDER COATED LIGHT GREY (SHADE-631 OF IS:5)		TOLERANCE :±5mm SCALE N.T.S		FOR INFORMATION ONLY		
CMRI : CMRI/TC/P/H1163 DT.20.11.2000		IS:13346/04 (IEC:60079-0/00)		NAME	DATE			
CCE : A/P/HQ/MH/104/752 DT:30.06.04		IS:2148/04 (IEC:60079-1/01)		REV-1		SHEET 1 OF 1		
BIS : CM/L-0364341		IS:12063/87 (IEC:60529/89)		REV-2				
				DRN.	S.S	18.03.09	DRG. No.	REV
				CHKD.			QE25950001	0
				APPD.				



Baliga Lighting Equipments Private Limited,
KOVILAMBAKKAM, CHENNAI-600117, INDIA.

केन्द्रीय खनन एवं ईंधन अनुसंधान संस्थान

(वैज्ञानिक तथा औद्योगिक अनुसंधान परिषद)
बरवा रोड, धनबाद - 826 001, झारखण्ड, भारत



ADDITIONAL FIRST COPY

Central Institute of Mining and Fuel Research

Formerly : Central Mining Research Institute
(Council of Scientific & Industrial Research)
BARWA ROAD, DHANBAD-826 001, JHARKHAND. INDIA

REGISTERED POST/COURIER SERVICE

No. CIMFR/TC/SR/ H1113
I.D. No. 748/07

Dated: 14th March, 2008
CODE NO. FLP/204ZR/08

To,
M/s. BALIGA LIGHTING EQUIPMENTS PRIVATE LIMITED,
389, Medavakkam Road,
Kovilambakkam,
CHENNAI-600 117 (India)

Sub: Supplementary Testing for **REVALIDATION** as per IS: 2148- 2004 (IEC 60079-1/2001) of your Flameproof cum Weatherproof Integral Wellglass Luminaire, Cat. No. FLPW-2595, in cast aluminium alloy LM-6 construction, suitable for 250WHPMV lamp complete with control gear i.e. 250W HPMV choke, 16 Mfd. Condenser, housed inside the main chamber for application in Gas Group: IIC and Zone 1 & 2 atmosphere only.

- Report on (REVALIDATION)

Your Ref. No. CMRI/6/263/IIC

dated: 06/12/2007

Dear Sir,

Please find enclosed the **Supplementary Test Report** for **REVALIDATION** of the above sample as per IS: 2148-2004.

The above apparatus was earlier certified as per IS: 2148-1981 vide CIMFR (Erstwhile: CMRI) Certificate No. CMRI/TC/P/H1163 Dated: 20/11/2000 mentioned in the schedule of this report.

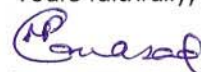
Charges of **Rs. 18,652/- (Rupees Eighteen thousand Six hundred Fifty two)** only including applicable service charges involved towards the testing/issuing the schedule have been adjusted against the advance deposit made by you.

Kindly arrange to collect the sample within 90 days from the date of receipt of this letter failing which CIMFR would dispose off the sample by public auction without any further NOTICE to you.

Kindly acknowledge receipt.

Thanking you,

Yours faithfully,


(G. M. PRASAD)

HEAD OF THE DEPARTMENT
TESTING CELL

Encl.: As above
Supplementary Report for Revalidation in Triplicate
Copy to: 1. Head, Flame & Explosion Lab.
2. Bill Section.

1 of 6

फोन-निदेशक Director

पी० ए० एक्स PAX

फैक्स FAX

Ph.: 0091-326-2202326/2203043

Ph.: 0091-326-2203010/2203070/2203090/2205045/2209041

0091-326-2201442/2202429/2204339/2203156

e-mail : dcmrips@yahoo.co.in, dcmri@csir.res.in • Website : www.cmriindia.nic.in

कार्यालय के दिन सोमवार से शुक्रवार तक Working days : Monday to Friday