

EPSS Series



EPSS 1540 - 1541

FLAME PROOF PLUG & SOCKET



Mechanical Data

Material	: Aluminium LM6
Weight	: 12.5 Kg(Socket) + 0.9 Kg(Plug)
IP Protection	: IP 65
Finish	: Anti corrosive epoxy powder coated
Cable Entry	: 2 x 1 1/4" ET
Mounting	: Wall mounting
Gasket	: Neoprene
Hardware	: Stainless Steel

Electrical Data

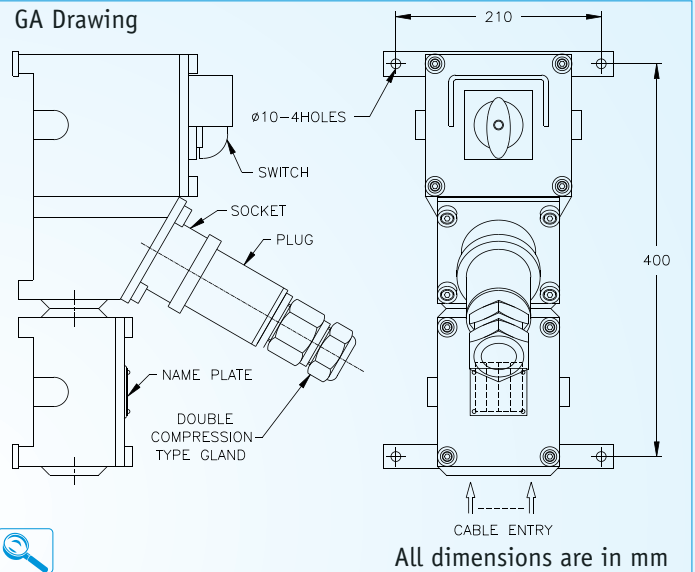
Voltage	: 440 V , 50 Hz AC
Current	: 32 A
No. Of Poles	: 3 Pole + Neutral
No. Of Pins	: 3P + N + E
Earthing	: External : 2 Nos - M6 Internal : 1 No - M5

Description

Explosion proof plug and socket with an integral terminal chamber. A switch is interlocked with the socket such that it is not possible to remove the plug without switching OFF or to insert the plug in the ON position.

A spring loaded shutter protects the socket when not in use. The enclosures are precision machined to facilitate smooth and reliable contact of the pins. Quality neoprene gaskets provide reliable weatherproof protection.

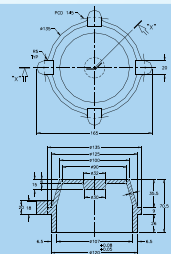
GA Drawing



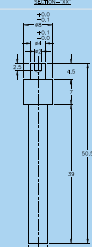
Type of protection	Flame Proof - Exd
Area Classification	Zone 1 & 2
Gas Groups	Group I, II A ,II B
Apparatus Standard	IS - 2148 / 81
CMRI Certificate No.	CMRS / TC / 358
Approvals	CCE

Options Available:

EPSS 1540- Socket only



EPSS 1541- Plug only



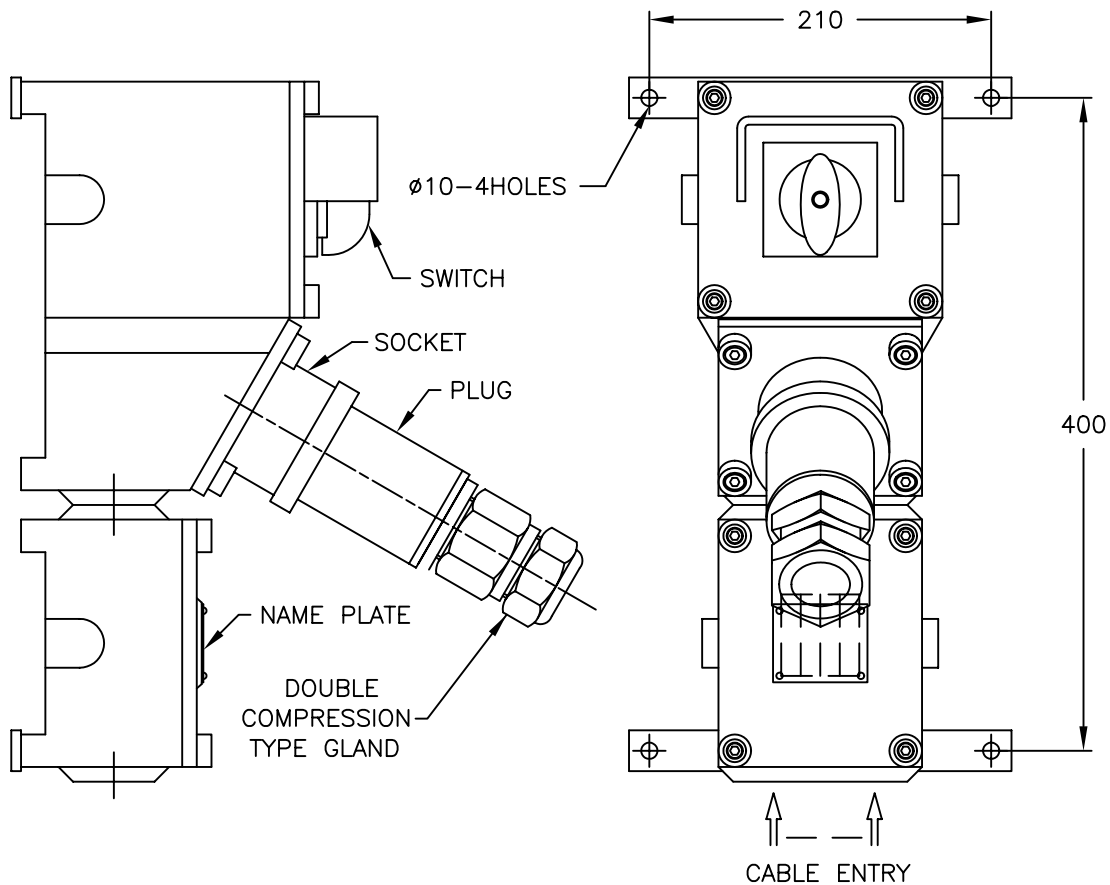
CMRI CERTIFIED

CERTIFICATES
CMRI | CCE | BIS

www.baliga.com



PLUG & SOCKET



NOTES:

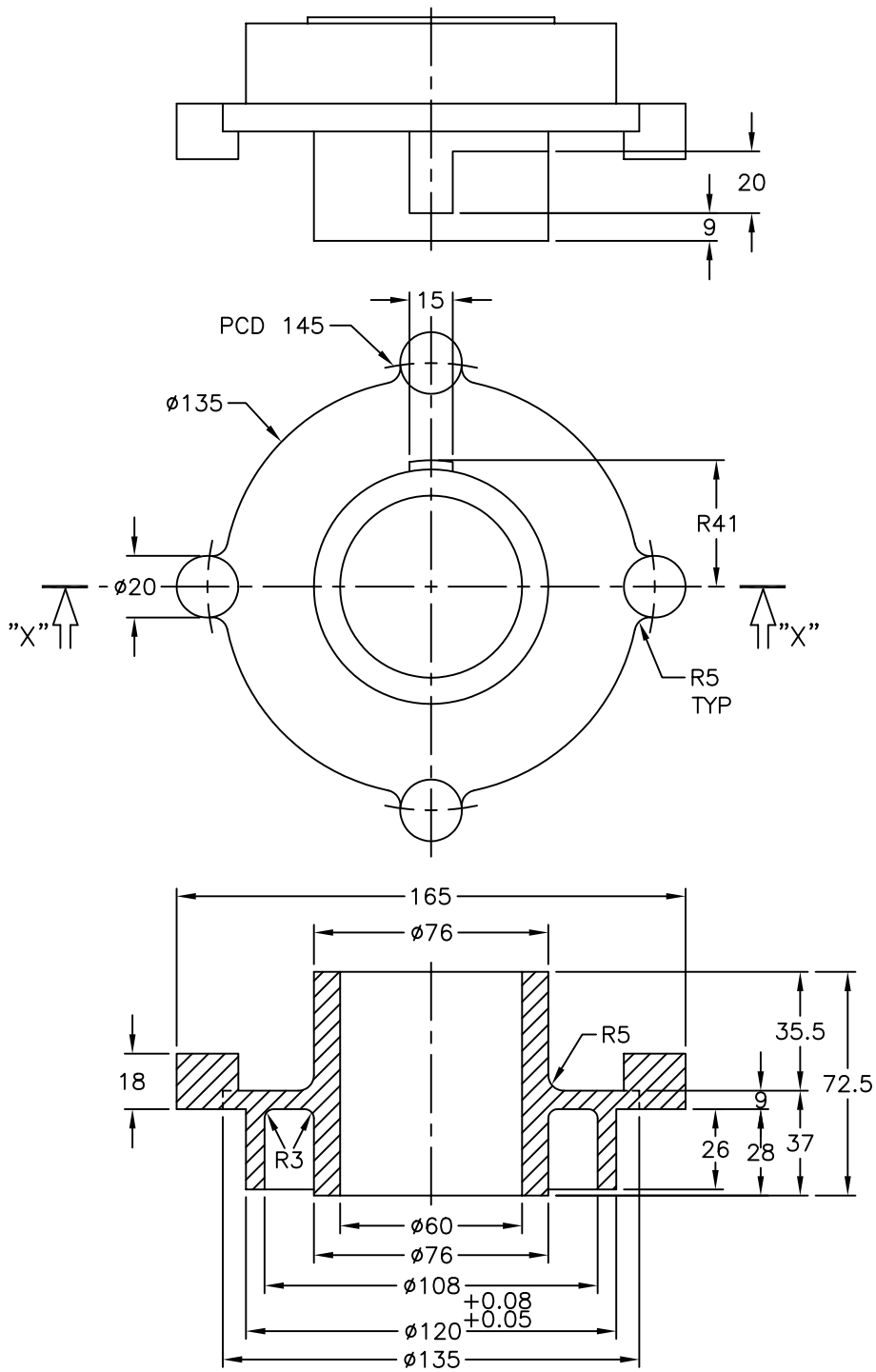
- SW –ROTARY SWITCH (RATING–32A, 440V, TPN)
- SO –SOCKET (RATING–32A, 440V, 3PIN+N+E)
- PL –PLUG (RATING 32A, 440V, 3PIN+N+E)
- TL –TERMINALS, 4Nos. 16SQ.MM –ELMEX
- NP –NAME & WARNING PLATE (SS)
- EARTHING –2Nos. EXTERNAL & 1No. INTERNAL
- HARDWARES – SS304
- CA – CANOPY (SHEET STEEL)

SWITCH AND PLUG&SOCKET ARE MECHANICALLY INTERLOCKED TO PREVENT THE OPERATION OF SWITCH WITHOUT PLUG.

ALL DIMENSIONS ARE IN MM.

FOR INFORMATION ONLY

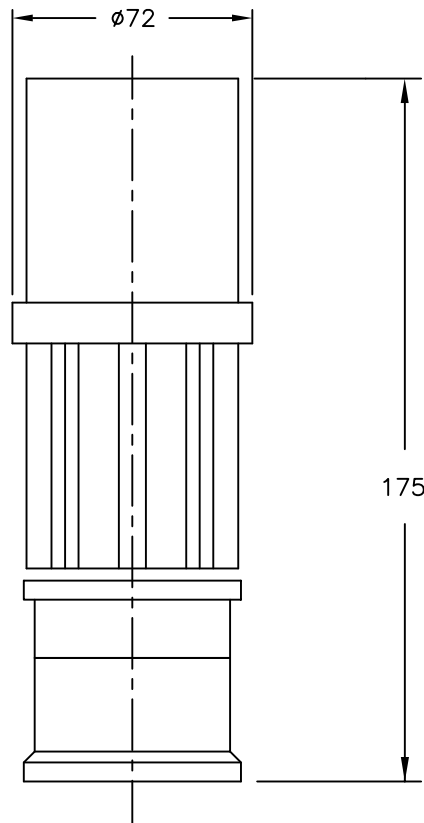
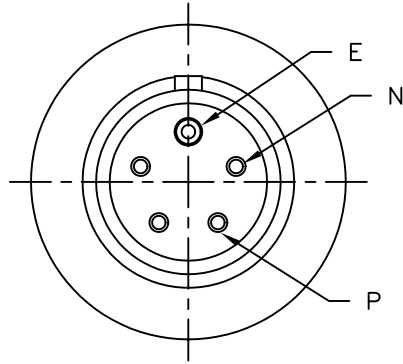
CUSTOMER :		TITLE : FLP/WP SWITCH SOCKET & PLUG (3PIN+N+E)			
CONSULTANT :		CAT NO : EPSS-1540/1541			
PROJECT :		CLASSIFICATION : Exd IIB IP65 ZONE 1&2			
P.O No. :		WT.:12.5KGS (APPROX.)	MATL.: LM-6	ITEM No.: 05A	QTY.: 9Nos.
FINISH : EPOXY POWDER COATED (SHADE-631 OF IS:5)		TOLERANCE :±5mm		FOR APPROVAL	
		SCALE N.T.S			
CMRI : CMRS/TC/358, DT-03.6.92	IS : 13947/93	NAME	DATE		
CCE : R1(1)136/BALIGA/12-XV, DT:25.11.99	IS : 2148/81	REV-1		SHEET 1 OF 1	
BIS : 61/L-0364341 DT:14.12.2001		REV-2		DRG. NO. CO2837705A	
Baliga Lighting Equipments Private Limited, KOVILAMBAKKAM, CHENNAI-600 117, INDIA.		DRN.	SS	23.05.03	REV 0
		CHKD.			
		APPD.			



NOTE:
1. UNSPECIFIED RADIUS SHALL BE R3.

SECTION-"XX"

MOD No.	DATE	NAME	MODIFICATION	MOD No.	DATE	NAME	MODIFICATION	
MATERIAL: CAST AL.LM6			TITLE : 1540 IIC SOCKET COVER				CAT. No.	
FINISH : -							CODE :	
SCALE : 1:2			UNLESS OTHERWISE SPECIFIED THE FOLLOWING APPLY		REFERENCE DRG. No.			
			LINEAR TOL. ± 0.2		DRN. P.S 25.03.02			
			RADIUS : -		CHKD.			
			ANGULAR TOL. $\pm -$		APPD.			
ALL DIMENSIONS ARE IN MM AVOID SHARP CORNERS AND BURRS			Baliga Lighting Equipments Limited, KOVILAMBAKKAM, CHENNAI-600 117, INDIA.				SHEET 1 OF 1	
							DRG.No.: MO1540 121 2	
							REV 0	



ALL DIMENSIONS ARE IN MM.

FOR INFORMATION ONLY

	CUSTOMER :	TITLE :				
	CONSULTANT :	FLP/WP PLUG (3PIN+N+E)				
	PROJECT :	CAT NO : EPSS-1541				
	P.O. No. :	CLASSIFICATION:				
	FINISH : EPOXY POWDER COATED (SHADE-631 OF IS:5)	Exd IIB IP65 ZONE 1&2				
CMRI : CMRS/TC/358, DT-03.6.92	IS : 13947/93	WT: 1Kg. (APPROX.)	MATL: LM-6	ITEM No.:	QTY.:	
CCE : R1(1)136/BALIGA/12-XV, DT:25.11.99	IS : 2148/81	TOLERANCE : ±5mm		SHEET 1 OF 1		
BIS : 61/L-0364341 DT:14.12.2001		SCALE N.T.S				
		NAME	DATE			
		DRN.	VSK	26.04.03	DRG. NO.	REV
		CHKD.			GO15410001	0
		APPD.				



Baliga Lighting Equipments Private Limited,
KOVILAMBAKKAM, CHENNAI-600117, INDIA.