

# EPSS Series



## EPSS 1533- 31

FLAME PROOF PLUG & SOCKET



### Mechanical Data

Material	: Aluminium LM6
Weight	: 2.9 Kg (Socket) + 0.3 Kg (Plug)
IP Protection	: IP 65
Finish	: Anti corrosive epoxy powder coated
Cable Entry	: 2 x 3/4" ET
Mounting	: Wall mounting
Gasket	: Neoprene
Hardware	: Stainless Steel

### Electrical Data

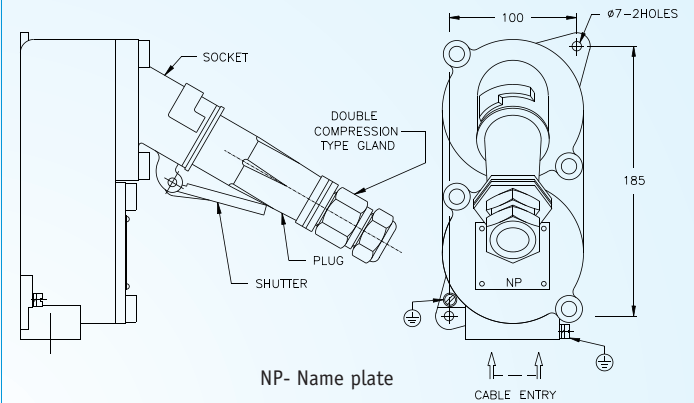
Voltage	: 240 V , 50 Hz AC
Current	: 16 A
No. Of Poles	: 2 Pole
No. Of Pins	: P + N + E
Earthing	: External : 2 Nos - M6 Internal : 1 No - M5

### Description

Explosion proof plug and socket with an integral terminal chamber. A switch is interlocked with the socket such that it is not possible to remove the plug without switching OFF or to insert the plug in the ON position.

A spring loaded shutter protects the socket when not in use. The enclosures are precision machined to facilitate smooth and reliable contact of the pins. Quality neoprene gaskets provide reliable weatherproof protection.

#### GA Drawing

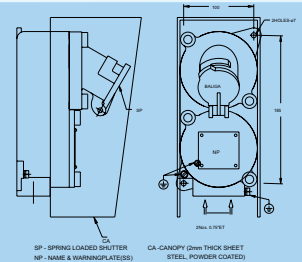


All dimensions are in mm

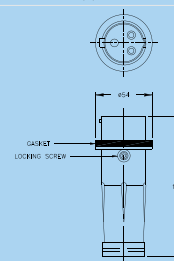
Type of protection	Flame Proof - Exd
Area Classification	Zone 1 & 2
Gas Groups	Group I, II A ,II B & II C
Apparatus Standard	IS - 2148 / 81
CMRI Certificate No.	CMRS / TC / 2232
Approvals	CCE

#### Options Available:

EPSS 1533- Socket only



EPSS 1531- Plug only



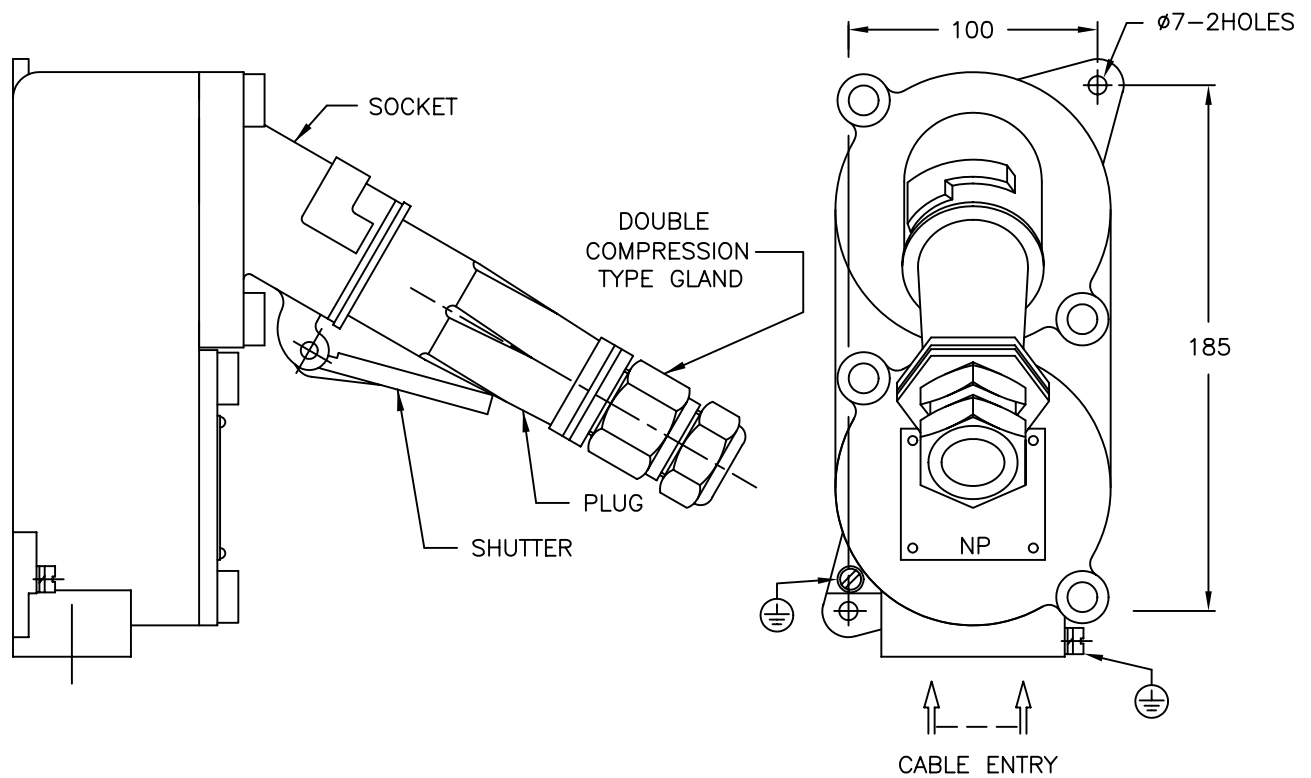
CMRI CERTIFIED

CERTIFICATES  
CMRI | CCE | BIS

www.baliga.com




PLUG & SOCKET

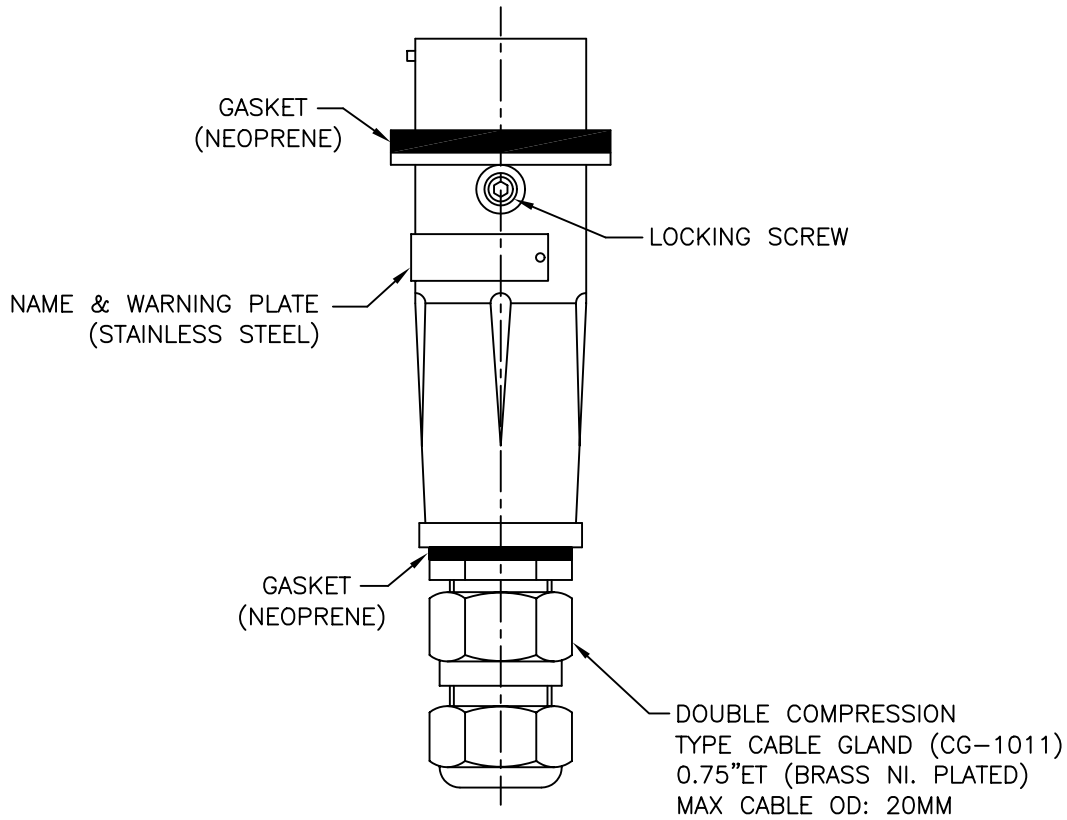
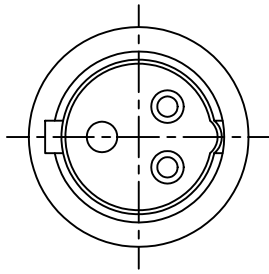


SWITCH AND PLUG & SOCKET ARE MECHANICALLY INTER LOCKED

1. TO PREVENT THE OPERATION OF SWITCH WITHOUT PLUG
2. TO PREVENT REMOVAL OF PLUG IN "ON" CONDITION
3. SCRAPPING EARTH PROVIDED BETWEEN PLUG & SOCKET


ALL DIMENSIONS ARE IN MM.

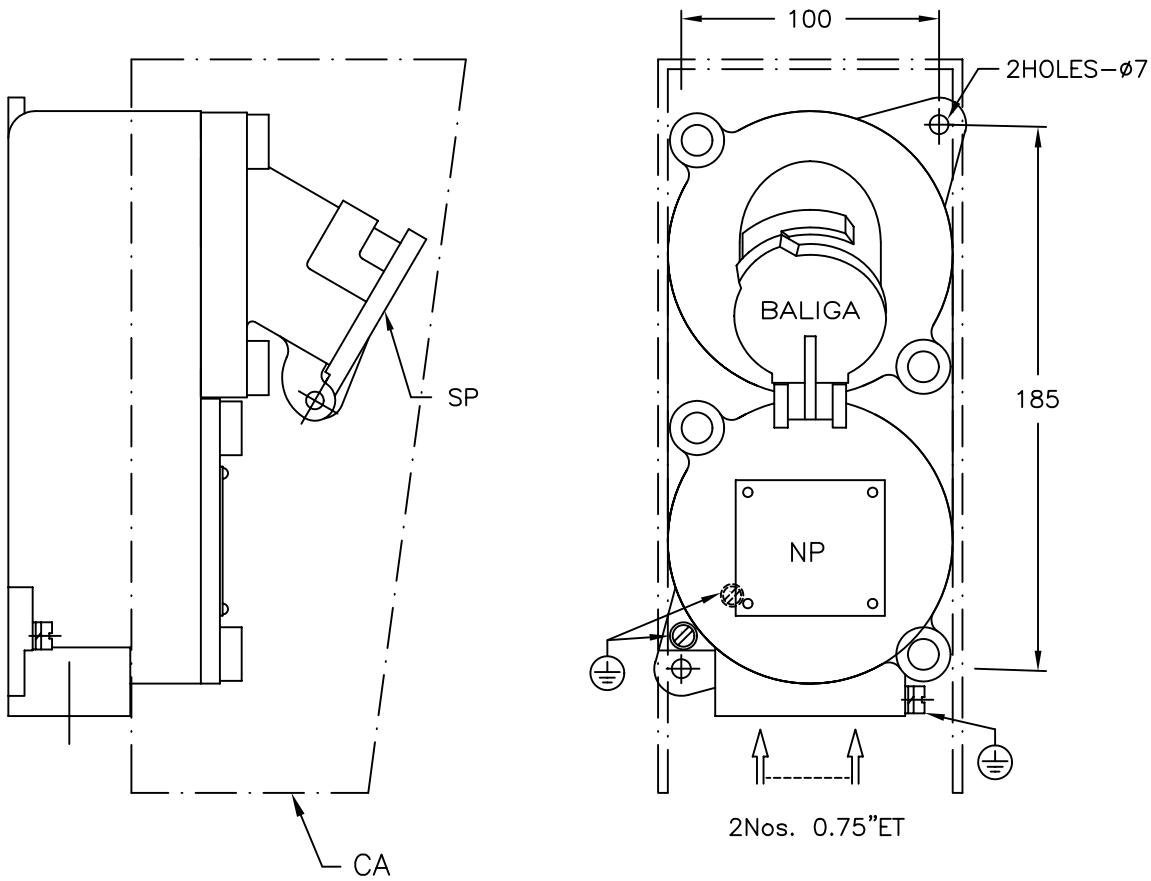
<b>NOTE:</b> SWITCH RATING : 15A,DP,250V AC SOCKET OUTLET: 250V,15A,(P+N+E) PLUG : 250V,15A,(P+N+E) GASKET : NEOPRENE TERMINAL : 4Nos. 2.5Sq.mm. HARDWARES : SS304 SP - SPRING LOADED SHUTTER NP - NAME & WARNINGPLATE(SS) EARTHING - 2Nos.EXTERNAL & 1No.INTERNAL	CUSTOMER :	TITLE : FLP/WP 15A 3PIN SWITCH SOCKET & PLUG (P+N+E)			
	CONSULTANT :	CAT NO : EPSS-1533/1531	ITEM No.:	QTY.:	
	PROJECT :	CLASSIFICATION : Exd IIB IP55 ZONE 1&2	MATERIAL : LM-6		
	P.O.No. :	WEIGHT : 2..9Kgs (APPROX.)	REF. DRG. NO.		
FINISH : EPOXY POWDER COATED (SHADE-631 OF IS:5)	TOLERANCE : ±5mm	SHEET 1 OF 1			
	SCALE N.T.S				
CMRI : CMRS/TC/2232 DT:16.02.94	IS : 13947/93	NAME	DATE		
CCE : R1(1)136/BALIGA/12-XV DT:25.11.99	IS : 2148/81	REV-1			
DGFAS: 66/13/1(R)/97-TECH DT:12.08.97		REV-2			
 <b>Baliga Lighting Equipments Limited</b> KOVILAMBAKKAM, CHENNAI-600 117, INDIA.	DRN.	S.S	23.07.01	DRG. NO.	REV
	CHKD.			GEPSS15330	0
	APPD.				



ALL DIMENSIONS ARE IN MM.

FOR INFORMATION ONLY

	CUSTOMER :	TITLE : FLP/WP 3PIN PLUG 16A, 240V (P+N+E)			
	CONSULTANT :	CAT NO : EPSS-1531			
	PROJECT :	CLASSIFICATION: Ex-d IIB IP 65 ZONE 1&2			
	P.O No. :	WT:0.3Kgs (APPROX)	MATL: LM-6	ITEM No.:	QTY.:
	FINISH : EPOXY POWDER COATED 60 MICRONS (SHADE 631 OF IS:5)	TOLERANCE : ±5mm		SCALE N.T.S	
CMRI : CMRS/TC/2232 DT:18.02.94	IS : 13947/93	NAME	DATE		
CCE : R1(1)136/BALIGA12-XV DT:25.11.99	IS : 2148/81	REV-1			
BIS : CM/L-0364341 DT:20.01.2004		REV-2	SHEET 1 OF 1		
 <b>Baliga Lighting Equipments Private Limited,</b> KOVILAMBAKKAM, CHENNAI-600 117, INDIA.	DRN.	TSM	06.09.04	DRG. NO.	REV
	CHKD.			GEPSS1531001	0
	APPD.				



SWITCH AND PLUG & SOCKET ARE MECHANICALLY INTER LOCKED

1. TO PREVENT THE OPERATION OF SWITCH WITHOUT PLUG
2. TO PREVENT REMOVAL OF PLUG IN "ON" CONDITION
3. SCRAPPING EARTH PROVIDED BETWEEN PLUG & SOCKET

ALL DIMENSIONS ARE IN MM.

FOR INFORMATION ONLY

NOTES: SWITCH RATING -250V,AC,15A, DP SOCKET OUTLET:250V,15A,(P+N+E) SP - SPRING LOADED SHUTTER NP - NAME & WARNINGPLATE(SS) GASKET - NEOPRENE TERMINAL:4Nos. 2.5Sq.mm.(ELMEX) HARDWARES ARE SS-304 CA -CANOPY (2mm THICK SHEET STEEL, POWDER COATED)	CUSTOMER :		TITLE : FLP/WP 3PIN SWITCH SOCKET (P+N+E)			
	CONSULTANT :		CAT NO : EPSS-1533			
	PROJECT :		CLASSIFICATION: Ex-d T6 IP 65 ZONE 1&2			
	P.O No.:		WT: 2.9Kgs	MATL: LM-6	ITEM No.:	QTY.:
FINISH : EPOXY POWDER COATED (SHADE-631 OF IS:5)		TOLERANCE :±5mm		SCALE N.T.S		
CMRI : CMRI/TC/B/H1341 DT:26.12.2000	IS : 13947/93	NAME	DATE			
	IS : 2148/81	REV-1				
	IS :	REV-2		SHEET 1 OF 1		
<b>Baliga Lighting Equipments Private Limited</b> KOVILAMBAKKAM, CHENNAI-600 117, INDIA.		DRN.	P.S	29.06.02	DRG. NO.	REV
		CHKD.			CO26989001	0
		APPD.				