

## EPSS 1533- 31

FLAME PROOF PLUG & SOCKET



### Mechanical Data

Material	: Aluminium LM6
Weight	: 2.9 Kg (Socket) + 0.3 Kg (Plug)
IP Protection	: IP 65 as per IS 13947(Part 1)1993/IEC 60529/1989
Finish	: Anti corrosive epoxy powder coated
Cable Entry	: 2 x 3/4" ET
Mounting	: Wall mounting
Gasket	: Neoprene
Hardware	: Stainless Steel

### Electrical Data

Voltage	: Options available As per the table below
Current	: 16 A
No. Of Poles	: 2 Pole
No. Of Pins	: P + N + E
Earthing	: External : 2 Nos - M6 Internal : 1 No - M5

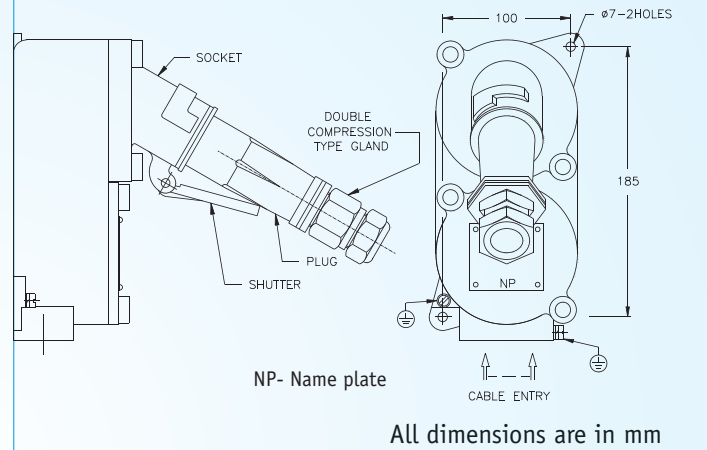
S.No.	Catalog No.	Description	Rating (A / V)	Temp. Class	CIMFR Cert. No.
1	EPSS-1533E-1531	FLP/MP switch socket and plug ( switch: MCB+ELCB combination OR MCB isolator)	16A / 250V ac	T6	CIMFR/TC/SR/H1251
2	EPSS-1533-1531	Ftp / Wp switch socket & plug, 16A, 250 V ac; P+N+E(3 pins) OR 15A, 24 V for 24 V supply	16A / 250V ac		CIMFR/TC/SR/H1151

### Description

Explosion proof plug and socket with ( optional MCB + ELCB 16A, ) an integral terminal chamber. A switch is interlocked with the socket such that it is not possible to remove the plug without switching OFF or to insert the plug in the ON position.

A spring loaded shutter protects the socket when not in use. The enclosures are precision machined to facilitate smooth and reliable contact of the pins. Quality neoprene gaskets provide reliable weatherproof protection.

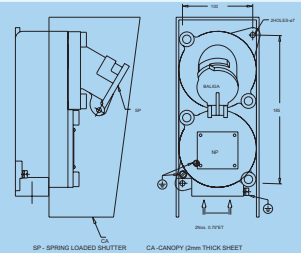
### GA Drawing



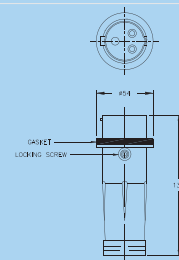
Type of protection	Flame Proof - Exd
Area Classification	Zone 1 & 2
Gas Groups	Group I, II A ,II B
Apparatus Standard	IS-2148:2004(IEC 60079-1/2001)
CMRI Certificate No.	Refer to the table below
Approvals	CCE,BIS

### Options Available:

EPSS 1533- Socket only

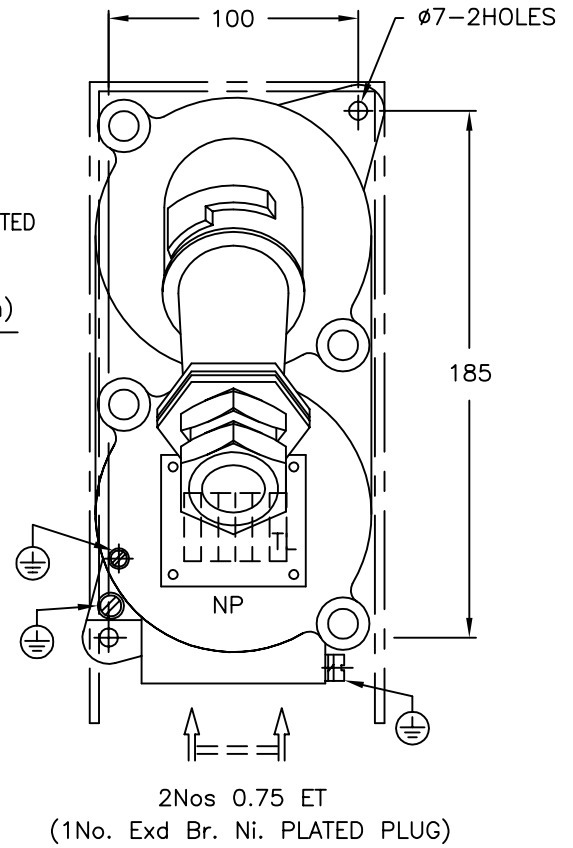
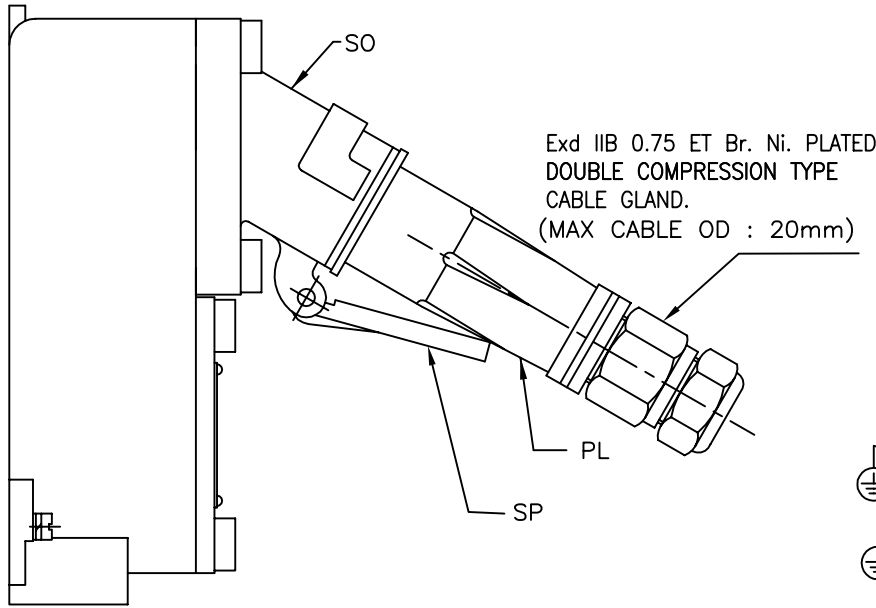


EPSS 1531- Plug only



IF IN DOUBT ASK

DO NOT SCALE



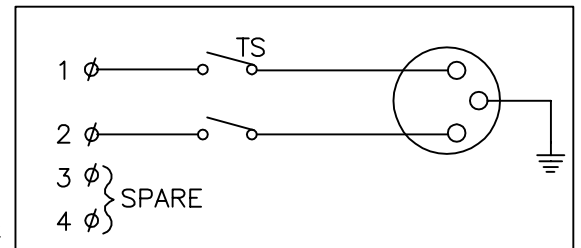
**NOTES:**

- SWITCH RATING - 16A DP 240V 50HZ AC
- SO - SOCKET OUTLET 240V 16A (2P+E)
- SP - SPRING LOADED SHUTTER
- PL- PLUG 240V 16A (2P+E)
- NP - NAME & WARNING PLATE (SS)
- CA - CANOPY (FRP - 2mm THK)
- TL- 4Nos. 2.5 SQ. MM TERMINAL- ELMEX MAKE
- EARTHING -2Nos EXTERNAL & 1No INTERNAL
- GASKET - NEOPRENE
- HARDWARE - SS304

SWITCH AND PLUG & SOCKET ARE MECHANICALLY INTER LOCKED:-

- \* TO PREVENT THE OPERATION OF SWITCH WITHOUT PLUG
- \* TO PREVENT REMOVAL OF PLUG IN "ON" CONDITION

**WIRING DIAGRAM**



ALL DIMENSIONS ARE IN MM.

<b>Exd CABLE GLAND:</b> 1No. 0.75 ET Br. Ni. PLATED DOUBLE COMPRESSION TYPE CABLE GLAND MAX CABLE OD : 20mm	CUSTOMER :		TITLE : <b>EXPLOSIONPROOF 16A 3PIN SWITCH SOCKET WITH PLUG</b>			
	CONSULTANT :		CAT No. : EPSS-1533/1531			
	PROJECT:		CLASSIFICATION: Exd IIA/IIB IP65 ZONE 1&2 T6			
	P.O No.:		WT.: 3KGS. (APPROX.)	MATL.: AL. LM-6	ITEM No.:	QTY.:
FINISH : EPOXY POWDER COATED LIGHT GREY (SHADE-631) OF IS:5		TOLERANCE : ±5mm		FOR APPROVAL		
SCALE		N.T.S				
CMRI : CMRS/TC/2232 DT:16.02.94	IS:13346/04 (IEC:60079-0/00)	NAME	DATE			
CCE : R1(1)136/BALIGA/12-XVIII DT:24.12.2004	IS:2148/04 (IEC:60079-1/01)	REV-1				
BIS : CM/L-0364341	IS:12063/87 (IEC:60529/89)	REV-2		SHEET 1 OF 1		
<b>Baliga Lighting Equipments Private Limited,</b> KOVILAMBAKKAM, CHENNAI-600 117, INDIA.		DRN.	S.S	14.03.09	DRG. NO.	REV
		CHKD.			QE15330001	0
		APPD.				

# केन्द्रीय खनन एवं ईंधन अनुसंधान संस्थान

(वैज्ञानिक एवं औद्योगिक अनुसंधान परिषद्)  
बरवा रोड, धनबाद - 826001, झारखण्ड, भारत



ADDITIONAL FIRST COPY

## Central Institute of Mining and Fuel Research

Formerly : Central Mining Research Institute,  
(Council of Scientific & Industrial Research)  
BARWA, ROAD, DHANBAD 826001 JHARKHAND, INDIA

### REGISTERED POST/COURIER SERVICE

No. CIMFR/TC/SR/H957  
I.D. No. 757/07

Dated: 18<sup>th</sup> February, 2008  
CODE NO. FLP/204ZX/08

To,  
M/s. BALIGA LIGHTING EQUIPMENTS PRIVATE LIMITED,  
389, Medavakkam Road,  
Kovilambakkam,  
**CHENNAI-600 117, India**

**Sub:** Supplementary Testing for **REVALIDATION** as per IS: 2148- 2004 (IEC 60079-1/2001) of your Flameproof-Weatherproof Inter locked Switch Socket and Plug Top, 3 Pins, 16Amps., 240V, in cast aluminium alloy LM-6 construction as designation by Cat. No.: EPSS-1533/1531 for application in Gas Group: IIC and Zone 1 & 2 atmosphere only.

- Report on (REVALIDATION)

Your Ref. No. CMRI/6/224/IIC

dated: 15/12/2007

Dear Sir,

Please find enclosed the **Supplementary Test Report** for **REVALIDATION** of the above sample as per IS: 2148-2004.

The above apparatus was earlier certified as per IS: 2148-1981 vide CIMFR (Erstwhile: CMRI) Certificate No. CMRI/TC/P/H224 Dated: 15/02/1999 mentioned in the schedule of this report.

Charges of **Rs. 14,989/- (Rupees Fourteen thousand Nine hundred Eighty nine)** only including applicable service charges involved towards the testing/issuing the schedule have been adjusted against the advance deposit made by you.

Kindly arrange to collect the sample within 90 days from the date of receipt of this letter failing which CIMFR would dispose off the sample by public auction without any further NOTICE to you.

Kindly acknowledge receipt.

Thanking you,

Yours faithfully,

  
(G. M. PRASAD)

HEAD OF THE DEPARTMENT  
TESTING CELL

Encl.: As above  
Supplementary Report for Revalidation in Triplicate  
Copy to: 1. Head, Flame & Explosion Lab.  
2. Bill Section.

फोन - निदेशक Director

पी० ए० एक्स PAX

फैक्स FAX

Ph.: 0091 326 2202326/2203043

Ph.: 0091 326 - 2203010/2203070/2203090/2205045/2209041

0091-326-2201442/2202429/2204339/2203156

e-mail : dcmrips@yahoo.co.in, dcmri@csir.res.in . Website : www.cmriindia.nic.in

कार्यालय के दिन : सोमवार से शुक्रवार तक Working days : Monday to Friday