

## Description

Explosion proof Limit switch with an integral terminal chamber. The contact block is fixed in a separate enclosure to which a variety of operating heads can be connected depending on the application. The incoming cable can be connected to a terminal block which is pre-wired to the switching contact block inside the main chamber.

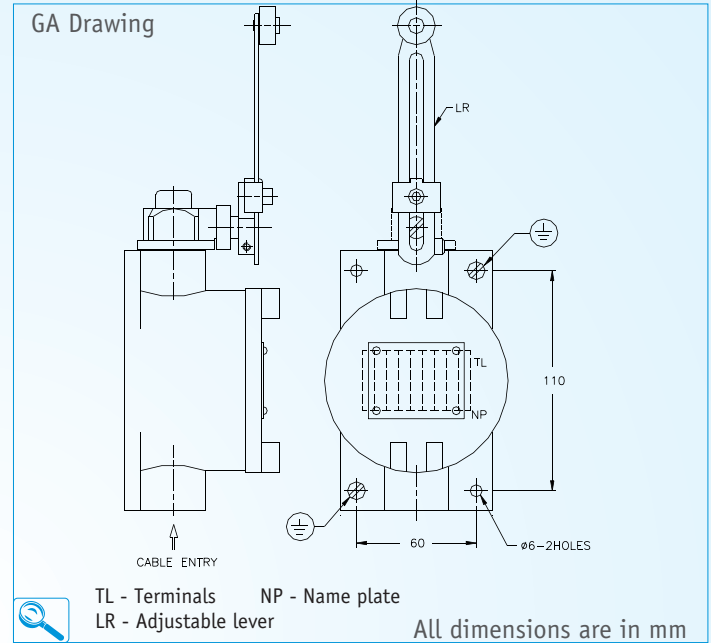


### Mechanical Data

Material	: Aluminium LM6
Weight	: 1.6 Kg
Protection	: IP 65 to IS 2147
Finish	: Anti corrosive Epoxy powder coated
Cable Entry	: 1 x (3/4" ET / 0.5" NPT / BSP / M20)
Mechanical Life	: 20 x 10 <sup>6</sup> Operations.
Frequency of operation	: 2500 / hour
Hardware	: Stainless Steel

### Electrical Data

Wiring	: PVC insulated 1.5 sq.mm stranded copper
Earthing	: External : 2 Nos - M6 Internal : 1 No - M5
Utilisation Category	: AC 11 and D 11 as per IEC 337 - 1 & 2 IS 6875 (Part 1) - 1973.
Insulator Voltage:	600 V AC, 20 V DC
AC 11 Rating	: 6.0 A at 100 V 3.0 A at 220 V 1.5 A at 440 V 1.2 A at 550 V 1.0 A at 24 V 0.5 A at 60 V
Contact Combination	: 1 NO + 1 NC, SPDT switch change over contacts.



Type of protection	Flame Proof - Exd
Area Classification	Zone 1 & 2
Gas Groups	Group I, II A ,II B
Apparatus Standard	IS - 2148 / 81
CMRI Certificate No.	CMRS / TC / 1108
Approvals	CCE