

Description

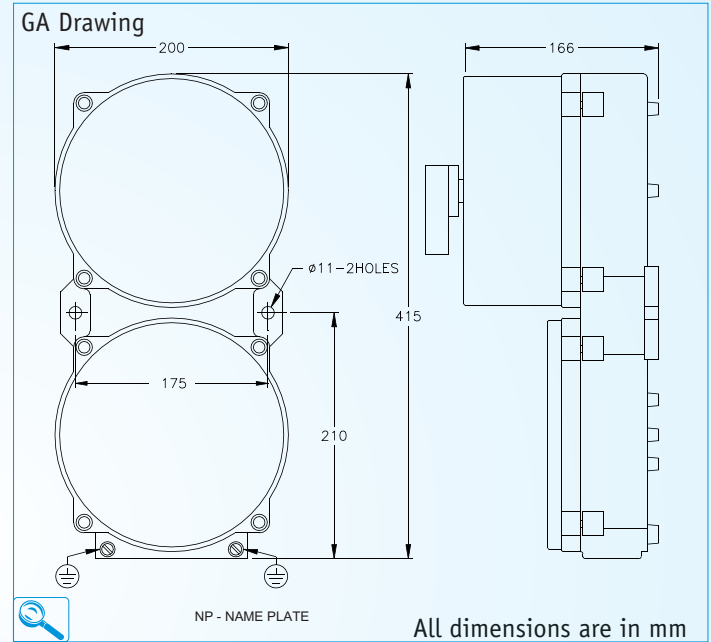
Explosion proof weather proof fuse switches with an integral chamber. The fuse switches of 63 A ratings are housed in the main chamber and interlocked such that the cover cannot be opened in the 'ON' position. These fuse switches are wired up to terminals housed in the terminal chamber through sealed explosion proof bushings. The spigotted covers are provided with a gasket for reliable weather proof protection.

Mechanical Data

Material	: Aluminium LM6
Weight	: 5.5 Kg
IP Protection	: IP 65
Finish	: Anti corrosive Epoxy powder coated
Cable size	: 3½ x 25 sq.mm
Cable Entry	: 2 x 1¼" BSC
Gasket	: Neoprene
Mounting	: Wall mounting
Hardware	: Stainless Steel (SS-304)
Dimension	: External(mm) : 415 x 200 x 166
	: Internal (mm) : ø 180 x 140

Electrical Data

Rated Voltage	: 660 V
Operating Current	: 63 A
Cable Size	: 3½ x 25 sq.mm
Terminals	: 6 x 25 sq.mm + 2 x 16 sq.mm
Earthing	: External : 2 Nos - M6
	: Internal : 1 No - M5



Type of protection	Flame Proof - Exd
Area Classification	Zone 1 & 2
Gas Groups	Group I, II A ,II B
Apparatus Standard	IS - 2148 / 81
CMRI Certificate No.	CMRS / TC / 518
Approvals	CCE