

### Description

Explosion proof heavy duty TPN Main Switches / Fuse Switches with two separate enclosures for housing the switch and the terminals. The two enclosures are inter connected by means of sealed explosion proof nipples. These Enclosures form part of the FCP 6000 Series of modular enclosures.

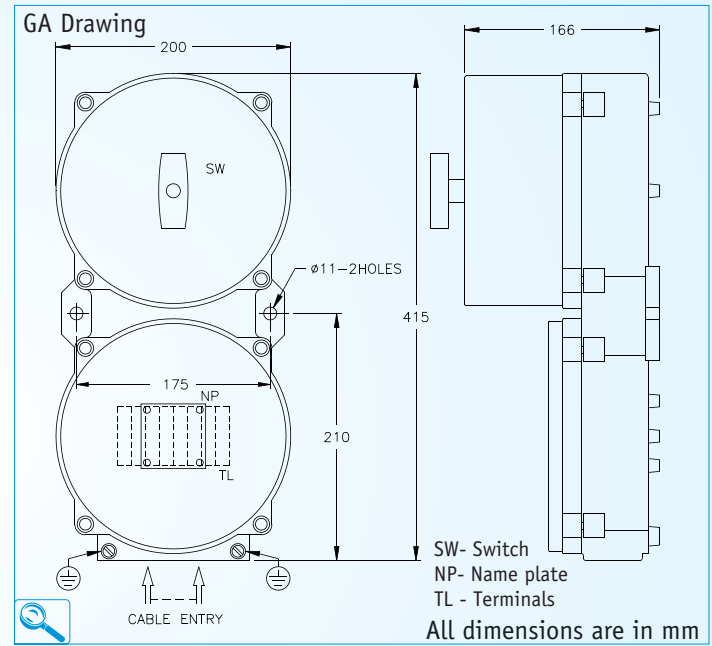
Quality neoprene gaskets provide a high degree of weather proof protection while stainless steel operating shafts provide adequate corrosion protection. A specially designed interlocking mechanism ensures that the switch cover can be opened only in the OFF position.

### Mechanical Data

- Material : Aluminium LM6
- Weight : 5.5 Kg
- IP Protection : IP 65 to IS 2147
- Finish : Anti corrosive Epoxy powder coated
- Cable size : 4 x 10 sq.mm
- Cable Entry : 2 x 1.25" ET
- Gasket : Neoprene
- Hardware : Stainless Steel (SS-304)

### Electrical Data

- Switch rating : 415 V, TPN 32 A 3 Pole 50 Hz AC
- Wiring : PVC insulated 1.5 sq.mm stranded copper
- Terminals : 8 x 10 sq.mm
- Earthing : External : 2 Nos - M6  
Internal : 1 No - M5



Type of protection	Flame Proof - Exd
Area Classification	Zone 1 & 2
Gas Groups	Group I, II A ,II B
Apparatus Standard	IS - 2148 / 81
CMRI Certificate No.	CMRS / TC / 1015
Approvals	CCE