

FHL 1539(M)

FLAME PROOF HAND LAMP



Mechanical Data

Material	: Cast Aluminium LM 6
Weight	: 2.4 Kg
IP Protection	: IP 65 as per IS-12063/1987 (IEC 60529/1989)
Finish	: Anti corrosive Epoxy powder coated
Cable Entry	: 1 x (0.75 " ET / 0.5" NPT / BSP / M20)
Glass	: Toughened Borosilicate
Wireguard	: 5 mm Welded steel construction.
Gasket	: Neoprene
Hardware	: Stainless Steel (SS-304)

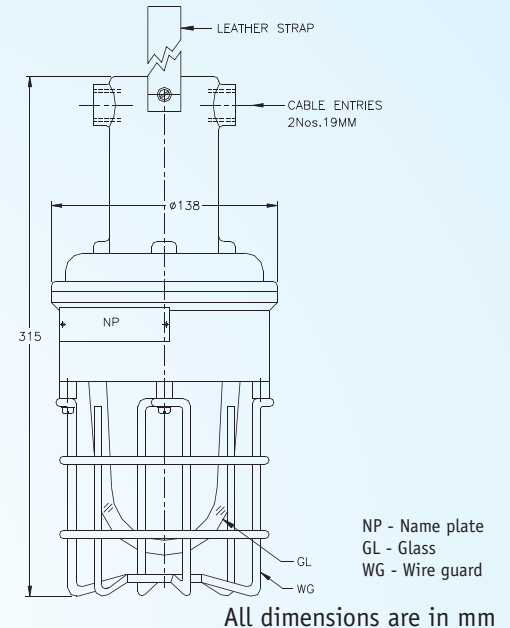
Electrical Data

Voltage	V : 230 AC 50 Hz , 24 DC
Lamp Wattage	W: 40 GLS / 60 GLS
Lamp Holder	: Porcelain ES Cap - E27
Wiring	: Fibreglass class F insulated 1.5 sq.mm Stranded Copper
Max.Cable size	: 3C x 2.5 sq.mm
Int.Terminations:	2 .5 sq.mm crimping lugs
Earthing	: External : 2 Nos - M6 Internal : 1 No - M5

Description

Explosion proof Hand lamp with a separate terminal chamber. A toughened well glass is cemented into a retaining ring and bolted on to the main body. The lamp holder with the insulators is mounted on the main body. A leather strap is provided to facilitate carrying of the hand lamp.

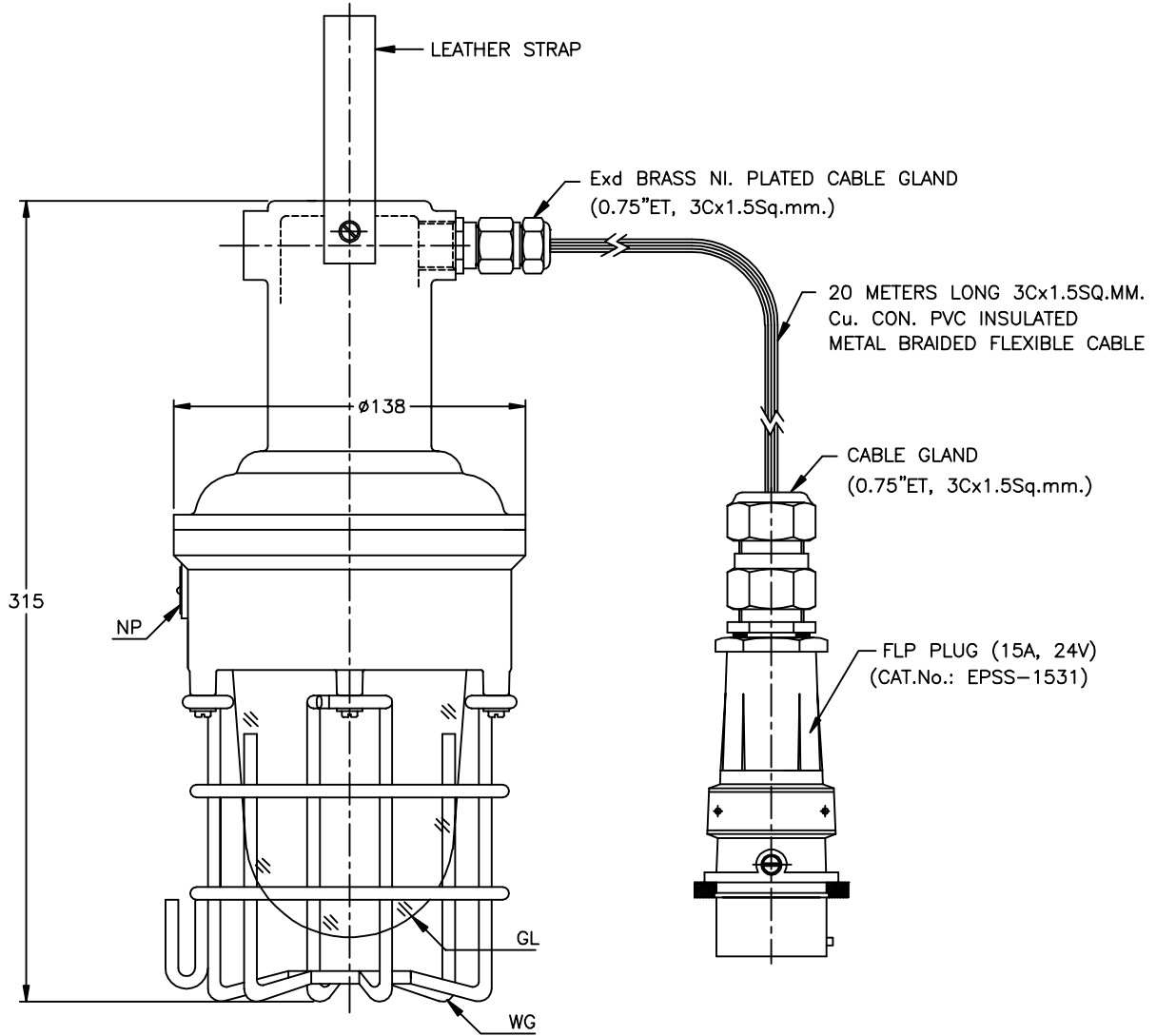
GA Drawing



Type of protection	Flame Proof - Exd
Area Classification	Zone 1 & 2
Gas Groups	Group I, II A ,II B, II C
Apparatus Standard	IS:2148-2004 (IEC 60079-1/2001) IS- 2206 Part I
CIMFR Certificate No.	CIMFR/TC/SR/H292
Approvals	CCE,BIS
Temp Rating	T6
Wattage Rating	40/60W GLS

IF IN DOUBT ASK


DO NOT SCALE



NOTES:

- GL -WELL GLASS (TOUGHENED BOROSILICATE TYPE "A")
- WG -WIRE GUARD (M.S, EPOXY POWDER COATED - WHITE COLOUR)
- LAMP HOLDER - ES PORCELAIN (ES-27)
- LAMP TO SUIT -60W GLS 24V
- NP -NAME & WARNING PLATE(SS)
- EARTHING -1No.INTERNAL
- HARDWARES -SS304

ALL DIMENSIONS ARE IN MM.

E	CUSTOMER :		TITLE :			
	-		EXPLOSIONPROOF HAND LAMP			
	CONSULTANT :		CAT NO :			
	-		FHL-1539(M)			
	PROJECT :		CLASSIFICATION:			
-		Exd IIC IP65 ZONE 1&2 T6				
F	P.O. No. :		WT: 2.5Kgs (APPROX.)	MATL: AL. (LM-6)	ITEM No.:	QTY.:
	-				-	-
	FINISH : EPOXY POWDER COATED LIGHT GREY(SHADE-631 OF IS:5)		TOLERANCE : ±5mm		FOR INFORMATION ONLY	
			SCALE N.T.S			
	CMRI : CMRI/TC/P/H397 DT:24.03.99 (PROTO) IS:13346/04 (IEC:60079-0/00)		NAME	DATE		
CMRI : A/P/HQ/MH/104/752 DT:30.06.04 IS:2148/04 (IEC:60079-1/01)		REV-1		SHEET 1 OF 1		
BIS : CM/L-0364341 IS:12063/87 (IEC:60529/89)		REV-2				
 Baliga Lighting Equipments Private Limited, KOVILAMBAKKAM, CHENNAI-600 117, INDIA.		DRN.	S.S	18.03.09	DRG. NO.	REV
		CHKD.			QE15390001	0
		APPD.				

केन्द्रीय खनन एवं ईंधन अनुसंधान संस्थान

(वैज्ञानिक तथा औद्योगिक अनुसंधान परिषद)
बरवा रोड, धनबाद - 826 001, झारखण्ड, भारत



ADDITIONAL FIRST COPY

Central Institute of Mining and Fuel Research

Formerly : Central Mining Research Institute
(Council of Scientific & Industrial Research)
BARWA ROAD, DHANBAD-826 001, JHARKHAND, INDIA

REGISTERED POST/COURIER SERVICE

No. CIMFR/TC/SR/H292
I.D. No. 955/07

Dated: 21st July, 2008
CODE NO. FLP/204K/08

To
M/S. BALIGA LIGHTING EQUIPMENTS PVT. LTD.,
389, MEDAVAKKAM ROAD, KOVILAMBAKKAM,
CHENNAI-600 117

Sub: Supplementary Testing for **REVALIDATION** as per IS: 2148-2004 (IEC 60079-1/2001) of your **Flameproof-cum-Weatherproof Hand Lamp Fitting** in cast aluminium alloy LM-6 construction, designated by **Cat. No.: FHL-1539(M)**, suitable for use with 40/60W GLS Lamp at 240Volts (max.) for use in Zone 1 & 2 and Gas Groups: IIC atmosphere only.

- Report on (REVALIDATION)

Your Ref. Appl. No.: CIMFR/6/181/IIC

Dated: 06/12/2007

Dear Sir,

Please find enclosed the **Supplementary Test Report** for **REVALIDATION** of the above sample as per IS: 2148-2004.

The above apparatus was earlier certified as per IS: 2148-1981 vide CIMFR (Erstwhile: CMRI) Test Report No. CMRI/TC/P/H397, Dated: 24/03/1999.

Charges of **Rs. 17,011/- (Rupees Seventeen thousand & Eleven only)** including applicable service charges involved towards the testing/issuing the schedule have been adjusted against the advance deposit made by you.

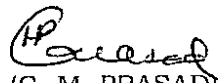
Kindly arrange to collect the sample within 90 days from the date of receipt of this letter failing which CIMFR would dispose off the sample by public auction without any further NOTICE to you.

Kindly acknowledge receipt.

Thanking you,

Yours faithfully,

Encl.: As above
Suppl. Report for Revalidation in Triplicate
Copy to: 1. Head, Flame & Explosion Lab.
2. Bill Section.


(G. M. PRASAD)
HEAD OF THE DEPARTMENT
TESTING CELL