

# WP Control Stations

WP 20565C, 20510C, 30310C, 35310C  
WEATHER PROOF CONTROL STATION



## Mechanical Data

Material : Aluminium LM6  
 Weight : 2.8 Kg (Approx.,)  
 IP Protection : IP 65 as per IS-12063/1987 (IEC 60529/1989)  
 Finish : Anti corrosive epoxy powder coated  
 Cable Entry : 2 x 3/4" ET  
 Hinge : Not Applicable  
 Gasket : Neoprene  
 Hardware : Stainless Steel  
 Canopy : Optional

## Electrical Data

Wiring : PVC insulated 1.5 sq.mm stranded copper  
 Earthing : External : 2 Nos - M6  
                   Internal : 1 No - M5  
 Max.no of Components : Component Details Chart

## Description

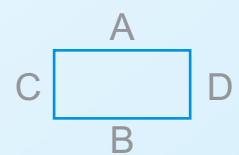
Weather proof control station is used to mount all control and indication functions. It has an integral terminal chamber. The clipon type terminals provided in the chamber are pre-wired to the control units through sealed cable bushes. A wide variety of control units can be selected for mounting into the enclosures and a meter is mounted above the chamber. The control stations are also fitted with high quality neoprene gaskets to ensure perfect weather proof protection.

## Component Details Chart

WP-20565C	2 Push Buttons + 1 Ammeter 65mm Dia	Intl. Dim.: 200x150x65mm
WP-20510C	2 Push Buttons + 1 Ammeter 72mm2	Intl. Dim.: 200x150x100mm
WP-30310C	3 Push Buttons + 1 Ammeter (72mm2) OR 3 Indicating Lamps + 1 Ammeter (72mm2) OR 2 Push Buttons + 1 DP Switch + 1 Ammeter (72mm2) OR 2 Indication Lamps + 1 DP Switch + 1 Ammeter (72mm2)	Intl. Dim.: 300x300x100mm
WP-35310C	3 Push Buttons + 1 DP Switch + 1 Ammeter (72mm2) OR 3 Indication Lamps + 1 DP Switch + 1 Ammeter (72mm2)	Intl. Dim.: 350x300x100mm

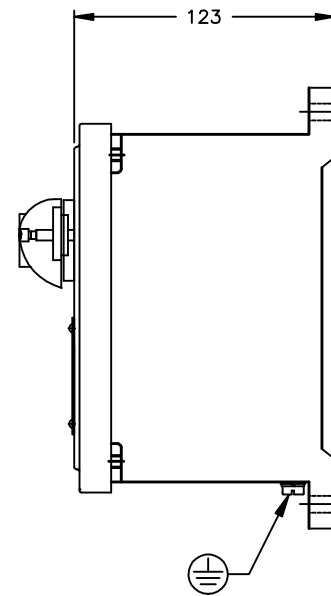
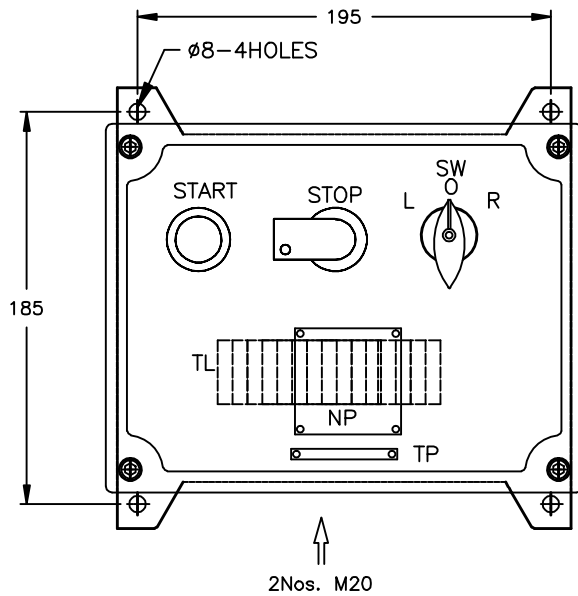
Type of protection	Weatherproof - WP
Area Classification	Safe Area
Apparatus Standard	IS-12063/1987 (IEC 60529/1989)

Entry size (Inches)			WP 20565		WP 20510		WP 30310		WP 35310	
BSC	NPT / BSP	Metric (mm)	A / B	C / D	A / B	C / D	C / D	A / B	A / B	C / D
0.50	0.25	M 16 X 1.5	6	4	8	6	16	16	18	16
0.75	0.50	M 20 X 1.5	5	4	8	6	14	14	16	14
1.0	0.75	M 25 X 1.5	4	3	3	2	6	6	7	6
1.25	1.0	M 32 X 1.5	3	2	2	2	4	4	5	4
1.50	1.25	M 40 X 1.5	-	-	2	2	4	4	5	4
2.0	1.50	M 48 X 1.5	-	-	2	1	3	3	3	3
2.5	2.0	M 63 X 1.5	-	-	2	1	3	3	3	3



IF IN DOUBT ASK

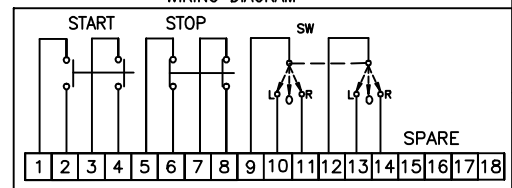
DO NOT SCALE



**NOTES:**

- START - START PUSH BUTTON (GREEN)
- STOP - STOP PUSH BUTTON (RED) WITH MUSHROOM HEAD WITH STAYPUT & PAD LOCKING ARRANGEMENT
- PUSH BUTTON ELEMENT RATING :10A 415V AC /1A 220V DC (2NO+2NC)
- SW - 6A, DP, 2 POSITION WITH OFF SELECTOR SWITCH (LOCAL/REMOTE)
- TL - 18Nos. 2.5SQ.MM TERMINALS (ELMEX MAKE)
- NP - NAME & WARNING PLATE (SS)
- TP - TAG PLATE (PERSPEX)
- EARTHING - 2Nos. EXTERNAL & 1No. INTERNAL
- HARDWARES - SS304
- GASKET - NEOPRENE

**WIRING DIAGRAM**



ALL DIMENSIONS ARE IN MM.

E	CUSTOMER :	-	TITLE :	WEATHERPROOF CONTROL STATION					
	CONSULTANT :	-	CAT NO :	WP-20510C					
	PROJECT :	-	CLASSIFICATION :	IP65					
	P.O No. :	-	WT.:3.2KGS. (APPROX.)	MATL.: AL. LM 6	ITEM No.:	QTY.;			
	FINISH : EPOXY POWDER COATED LIGHT GREY (SHADE-631 OF IS:5)	TOLERANCE : ±5mm	SCALE N.T.S		FOR APPROVAL				
IS : 12063/87 (IEC:60529/89)	NAME	DATE							
F	REV-1			SHEET 1 OF 1					
	REV-2								
	DRN.	S.S	08.05.09					DRG. NO.	REV
	CHKD.							QE20510001	0
	APPD.								



**Baliga Lighting Equipments Private Limited,**  
KOVILAMBAKKAM, CHENNAI-600 117, INDIA.