

FPBS 52300 Series

FLAME PROOF CONTROL STATION

FPBS 52302



FPBS 52304



FPBS 52303



Mechanical Data

Material : Aluminium LM6
 Weight : FPBS - 52302 : 3.5 Kg
 : FPBS - 52303 : 5.5 Kg
 : FPBS - 52304 : 7.5 Kg
 IP Protection : IP 65 as per IS-12063/1987 (IEC 60529/1989)
 Finish : Anti corrosive Epoxy powder coated
 Cable Entry : 3 * 0.5" OR 0.75" OR 1.0" BSC/BSP/NPT OR M20/M25
 Gasket : Neoprene
 Hardware : Stainless Steel
 Canopy : Optional

Electrical Data

Wiring : PVC Insulated 1.5 sq.mm Stranded Copper
 Terminals : Refer Chart Below
 Earthing : External : 2 Nos - M6
 : Internal : 1 No - M5

Cat No.	Max. no of Clipon Terminals				Weight (Kgs)	Max. No. of Control Equipments	Options							
	2.5 mm ²	4 mm ²	10 mm ²	16 mm ²			1	2	3	4	5	6	7	8
FPBS 52302	8	8	-	-	2.6	2	•	•						
FPBS 52303	8	8	-	-	3.8	4			•	•	•			
FPBS 52304	10	10	8	8	8.0	6					•	•	•	

Description

Where several control & indication functions in a hazardous area are required to be operated from one location, they can all be mounted in an Explosion proof Control Station.

Series 52300 Control Stations are available with up to three separate enclosures for housing various control units and a separate integral terminal chamber. The clipon type terminals provided in the chamber are pre-wired to the control units through sealed cable bushes. A wide variety of control units can be selected for mounting into the enclosures. The control stations are also fitted with high quality neoprene gaskets to ensure weather proof protection.

GA Drawing

To View the GA Drawing click on the Catalogue No.

FPBS 52302

FPBS 52303

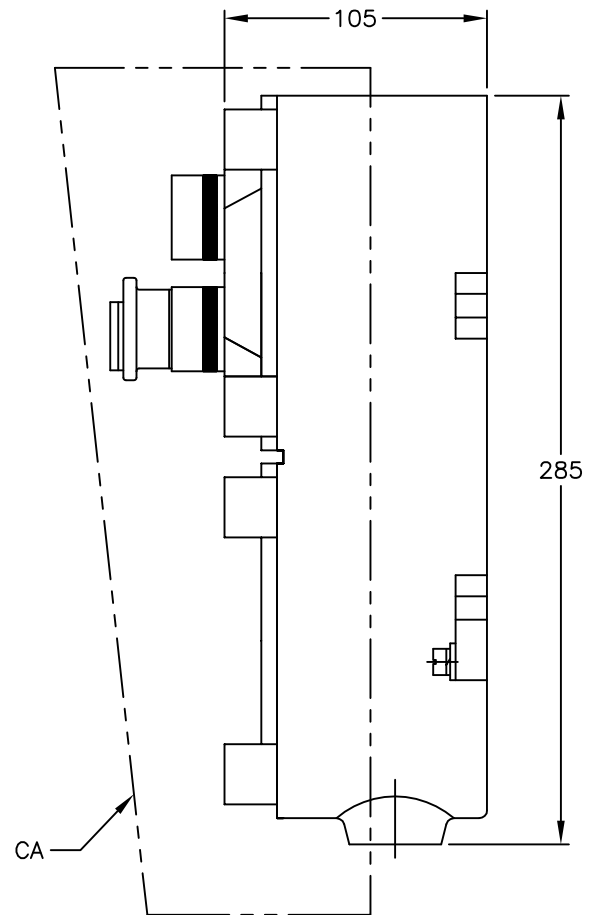
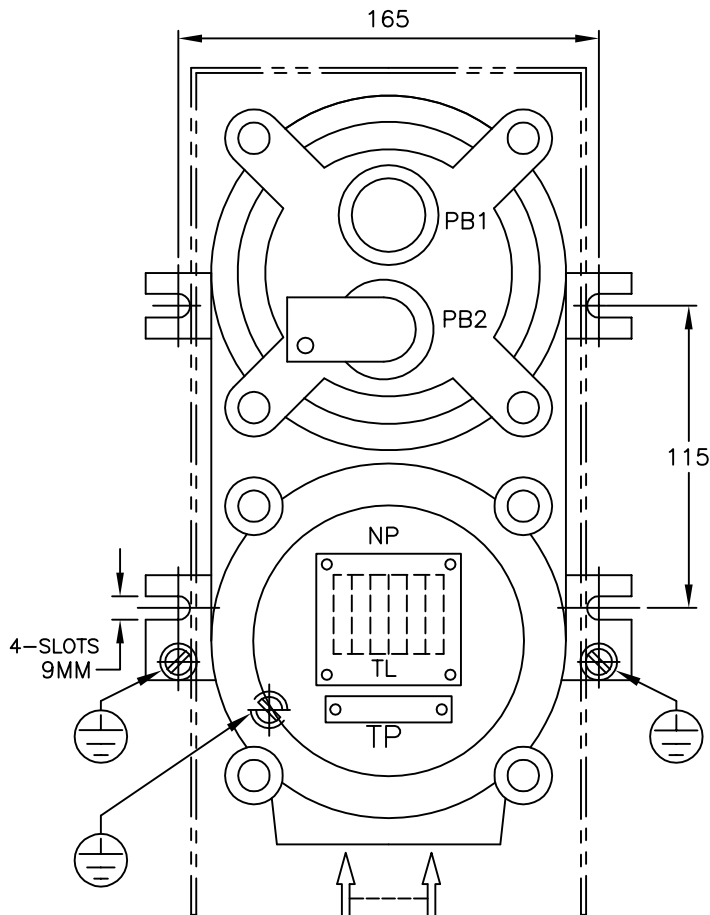
FPBS 52304

Type of protection	Flame Proof - Exd
Area Classification	Zone 1 & 2
Gas Groups	Group I, II A ,II B
Apparatus Standard	IS-13346-04 (IEC 60079-0/00) IS-2148-04(IEC 60079-1/01) IS-12063-87 (IEC 60529/89)
CIMFR Certificate No.	CIMFR/TC/SR/H335
Approvals	CCE

Option	Description
1	1 Push Button
2	2 push Button
3	2 Push Buttons + Switch or Push Buttons
4	2 Push Buttons + Ammeter
5	2 Push Buttons + Indicating Lamp
6	2 Push Buttons + Switch + Ammeter
7	2 Push Buttons + Switch + Indicating Lamp
8	2 Push Buttons +Indicating Lamp+Ammeter

IF IN DOUBT ASK

DO NOT SCALE



2Nos. 0.75 ET

NOTES: (1No Br. Ni. PLATED PLUG)

PB1 - START PUSH BUTTON (GREEN)

PB2 - STOP PUSH BUTTON (RED)

STAYPUT-MUSHROOM HEAD WITH PADLOCKING ARRANGEMENT

ELEMENT RATING: 10A, 415V AC (1NO+1NC)

TL - 6Nos. 2.5sq.mm CLIPON TYPE TERMINALS (ELMEX MAKE)

NP - NAME & WARNING PLATE (SS)

TP - TAG PLATE (PERSPEX) (CUSTOMER TO FURNISH TAG DETAIL IF ANY)

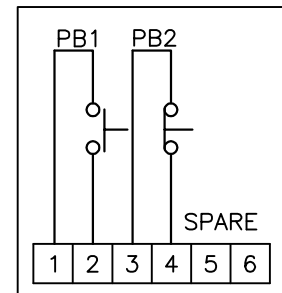
EARTHING - 2Nos.EXTERNAL & 1No.INTERNAL

CA -CANOPY (MS/SHEET STEEL/FRP)


GASKET - NEOPRENE

HARDWARE - SS304

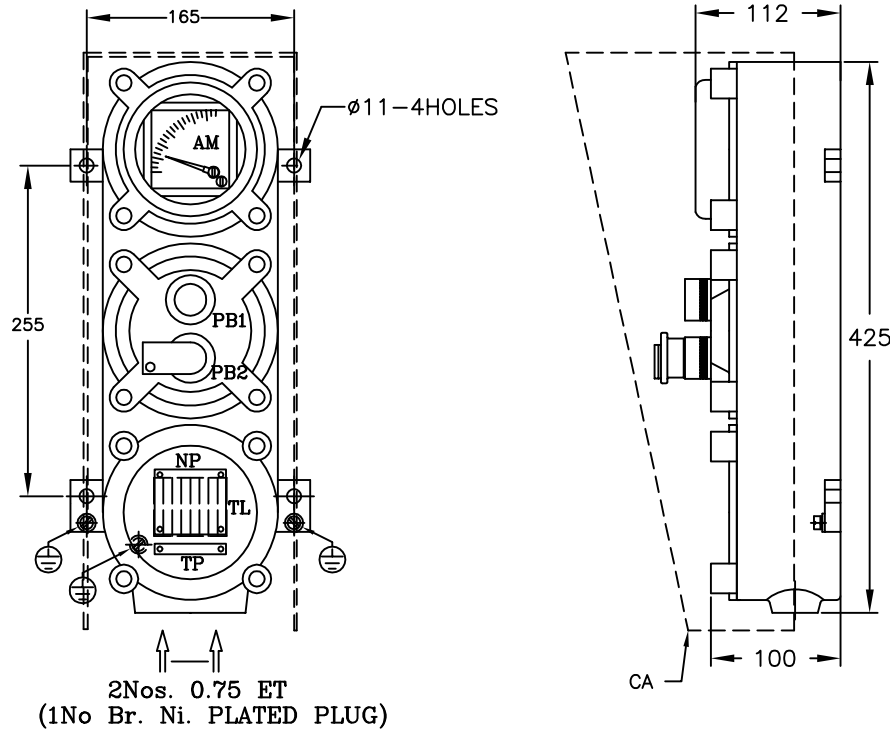
WIRING DIAGRAM



ALL DIMENSIONS ARE IN MM.

Exd CABLE GLAND: 1No 0.75 ET Br. Ni. PLATED DOUBLE COMPRESSION TYPE CABLE GLAND. Max. CABLE OD: 20mm	CUSTOMER :		TITLE : EXPLOSIONPROOF CONTROL STATION			
	CONSULTANT :		CAT No. : FPBS-52302			
	PROJECT:		CLASSIFICATION: Exd IIB IP65 ZONE 1&2 T6			
	PO No :		WT:5.5Kgs (APPR.)	MATL: AL. LM-6	ITEM No.:	QTY.:
FINISH : EPOXY POWDER COATED LIGHT GREY (SHADE-631 OF IS:5)		TOLERANCE :±5mm		FOR INFORMATION ONLY		
		SCALE N.T.S				
CMRI : V/1/1/1654 DT:10.03.86	IS :13346/04 (IEC:60079-0/00)	NAME	DATE			
CCE : R1(1)136/BALIGA/12-XVII DT. 30.10.06	IS :2148/04(IEC:60079-1/01)	REV-1		SHEET 1 OF 1		
BIS : CM/L-0364341	IS :12063/87 (IEC:60529/89)	REV-2				
 Baliga Lighting Equipments Private Limited, KOVILAMBAKKAM, CHENNAI-600 117, INDIA.		DRN.	S.S	13.03.09	DRG. NO.	REV
		CHKD.			QE52302001	0
		APPD.				

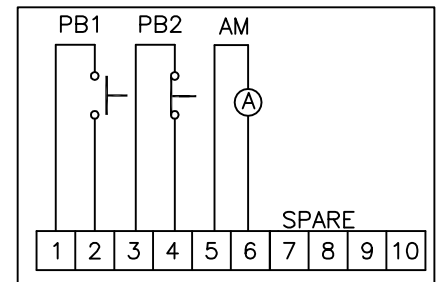
DO NOT SCALE



NOTES:

- AM - 72 Sq.mm DIRECT AMMETER (CLASS OF ACCURACY: 1.5) 90° DEFLECTION 6TIMES SUPPRESSED SCALE, (CUSTOMER TO FURNISH AMMETER DETAIL)
- PB1 - START PUSH BUTTON (GREEN)
- PB2 - STOP PUSH BUTTON (RED)
- MUSHROOM HEAD, STAYPUT WITH PADLOCKING ARRANGEMENT
- PUSH BUTTON ELEMENT RATING:10A, 415V AC (1NO+1NC)
- TL - 10Nos. 2.5SQ.MM TERMINALS (ELMEX MAKE)
- NP - NAME & WARNING PLATE (SS)
- TP - TAG PLATE (PERSPEX) (CUSTOMER TO FURNISH TAG DETAIL IF ANY)
- CA -CANOPY (MS/SHEET STEEL/FRP)
- EARTHING - 2Nos. EXTERNAL & 1No. INTERNAL
- HARDWARE - SS304

WIRING DIAGRAM



ALL DIMENSIONS ARE IN MM.

<p><u>Exd CABLE GLAND:</u> 1No 0.75 ET Br. Ni. PLATED DOUBLE COMPRESSION TYPE CABLE GLAND. Max. CABLE OD: 20mm</p>	CUSTOMER :		TITLE : EXPLOSIONPROOF CONTROL STATION			
	CONSULTANT :		CAT NO : FPBS-52303			
	PROJECT:		CLASSIFICATION: Exd IIB IP65 ZONE 1&2 T6			
	P.O No.:		WT: 5.5Kgs. (APPROX.)	MATL: AL. LM-6	ITEM No.:	QTY.:
FINISH : EPOXY POWDER COATED LIGHT GREY (SHADE-631 OF IS:5)		TOLERANCE: ±5mm.		FOR INFORMATION ONLY		
		SCALE N.T.S				
CMRI : V/1/1/1654 DT:10.03.86	IS:13346/04 (IEC:60079-0/00)	NAME	DATE			
CCE : R1(1)136/BALIGA/12-XVII DT. 30.10.06	IS:2148/04 (IEC:60079-1/01)	REV-1				
BIS : CM/L-0364341	IS:12063/87 (IEC:60529/89)	REV-2		SHEET 1 OF 1		
Baliga Lighting Equipments Private Limited, KOVILAMBAKKAM, CHENNAI-600117, INDIA.		DRN	S.S	13.03.09	DRG. NO.	REV
		CHKD			CE08080201	0
		APPD				

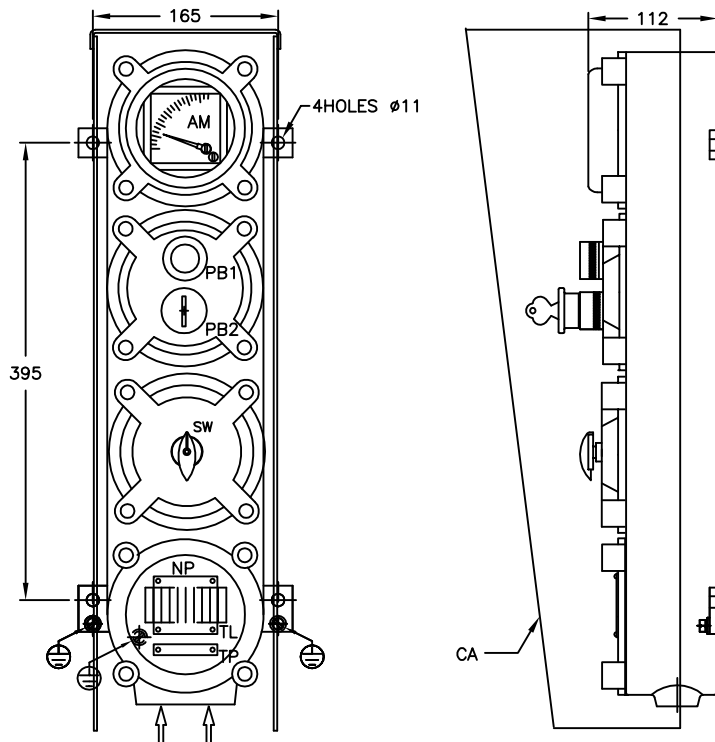
1

2

3

4

DO NOT SCALE



2Nos. 1.0 ET
(1No Br. Ni. PLATED PLUG)

NOTES:

AM - 72 Sq.mm AMMETER (CLASS OF ACCURACY: 1.5) 90° DEFLECTION
6 TIMES SUPPRESSED SCALE. AMMETER RANGE : 0-300-1800
CT RATIO :300/1A

PB1 - START PUSH BUTTON (GREEN) (2NO)

PB2 - STOP PUSH BUTTON (RED) (2NO) WITH MUSHROOM HEAD, STAYPUT TYPE KEY LOCKING ARRANGEMENT
PUSH BUTTON ELEMENT RATING: 10A, 415V AC

SW - 16A, DP, 2 POSITION SELECTOR SWITCH (LOCAL/REMOTE)

TL - 10Nos. 2.5sq.mm DOUBLE DUCKER TERMINALS - ELMEX MAKE

CA -CANOPY (MS/SHEET STEEL/FRP)

NP - NAME & WARNING PLATE (SS)

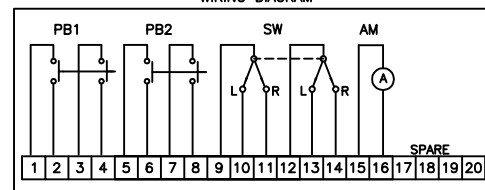
TP - TAG PLATE (PERSPEX) (CUSTOMER TO FURNISH TAG DETAIL IF ANY)

EARTHING - 2Nos. EXTERNAL (M6) & 1No. INTERNAL (M5)

HARD WARE - SS304

GASKET - ENDLESS NEOPRENE

WIRING DIAGRAM



ALL DIMENSIONS ARE IN MM.

Exd. CABLE GLAND:-

1No. 1.0 ET Br. Ni. PLATED
DOUBLE COMPRESSION TYPE
CABLE GLAND

MAX CABLE OD : 25mm

CUSTOMER :

TITLE :

EXPLOSIONPROOF CONTROL STATION

CONSULTANT :

CAT NO :

FPBS-52304

PROJECT:

CLASSIFICATION:

Exd IIB IP65 ZONE 1&2 T6

P.O No.:

WT: 5.5Kgs. (APPROX.)
MATERIAL: AL.
LM-6

ITEM No.:

QTY.:

FINISH : EPOXY POWDER COATED
LIGHT GREY (SHADE-631) OF IS:5

TOLERANCE: ±5mm.

SCALE N.T.S

FOR
INFORMATION
ONLY

CMRI : V/1/1/1654 DT:10.03.86

IS : 13346/04 (IEC:60079-0/2000)

NAME

DATE

CCE : R1(1)136/BALIGA/12-XVIII DT. 24.12.2004

IS : 2148/04 (IEC:60079-1/2001)

REV-3

BIS : CM/L-0364341

IS : 12063/87 (IEC:60529/89)

REV-4

SHEET 1 OF 1



Baliga Lighting Equipments Private Limited,
KOVILAMBAKKAM, CHENNAI-600117, INDIA.

DRN

S.S

13.03.09

DRG. NO.

REV

CHKD

APPD

CE08015201

0

1

2

3

4

केन्द्रीय खनन एवं ईंधन अनुसंधान संस्थान

(वैज्ञानिक तथा औद्योगिक अनुसंधान परिषद)
बरवा रोड, धनबाद - 826015, झारखण्ड (भारत)



ADDITIONAL FIRST COPY

CENTRAL INSTITUTE OF MINING AND FUEL RESEARCH

Formerly : Central Mining Research Institute
(COUNCIL OF SCIENTIFIC & INDUSTRIAL RESEARCH)

BARWA ROAD, DHANBAD - 826015, JHARKHAND (INDIA)

REGISTERED POST/COURIER SERVICE

No. CIMFR/TC/SR/H335
I.D. No. 927/07

Dated: 28th July, 2008
CODE NO.FLP/204ZQ/08

To,
BALIGA LIGHTING EQUIPMENTS PRIVATE LIMITED,
63A, C.P. RAMASWAMY ROAD,
ALWARPET,
CHENNAI-600 018

Sub: Supplementary Testing for **REVALIDATION** as per IS: 2148- 2004 (IEC 60079-1/2001) of your **Flameproof cum Weatherproof Control Station** as designated by Cat. No.: **FPBS-52303**, in cast aluminium alloy LM-6 construction, for use in Gas Groups: IIA & IIB and Zone 1 & 2 atmospheres only.

- Report on (REVALIDATION)

Your Ref. No. CMRI/6/144/IIB

Dated: 21/12/2007

Dear Sir,

Please find enclosed the **Supplementary Test Report** for **REVALIDATION** of the above sample as per IS: 2148-2004.

The above apparatus was earlier certified as per IS: 2148-1981 vide CMRI, supplementary Certificate No. CMRI/TC/H101, Dated: 09/09/1996 mentioned in the schedule of this report.

Charges of **Rs. 19,371/- (Rupees Nineteen thousand Three Seventy one)** only including applicable service charges involved towards the testing/issuing the schedule have been adjusted against the advance deposit made by you.

Kindly arrange to collect the sample within 90 days from the date of receipt of this letter failing which CIMFR would dispose off the sample by public auction without any further NOTICE to you.

Kindly acknowledge receipt.

Thanking you,

Yours faithfully,

(G. M. PRASAD)

HEAD OF THE DEPARTMENT
TESTING CELL

Encl.: As above
Supplementary Report for Revalidation in Triplicate
Copy to: 1. Head, Flame & Explosion Lab.
2. Bill Section.

1 of 10

फोन - निदेशक Director

Ph. : 0091 326 2202326/2203043

पी० ए० एक्स PAX

Ph. : 0091 326 2296027/2296028/2296029/2296010/2296013

फैक्स FAX

Ph. : 0091 326 2296019/2202429/2204339/2203150

e-mail : dcmrips@yahoo.co.in, dcmri@csir.res.in. Website : www.cmriindia.nic.in

कार्यालय के दिन : सोमवार से शुक्रवार तक **Working days : Monday to Friday**