

FLPW 1245

FLAME PROOF WELL GLASS LUMINAIRE



Mechanical Data

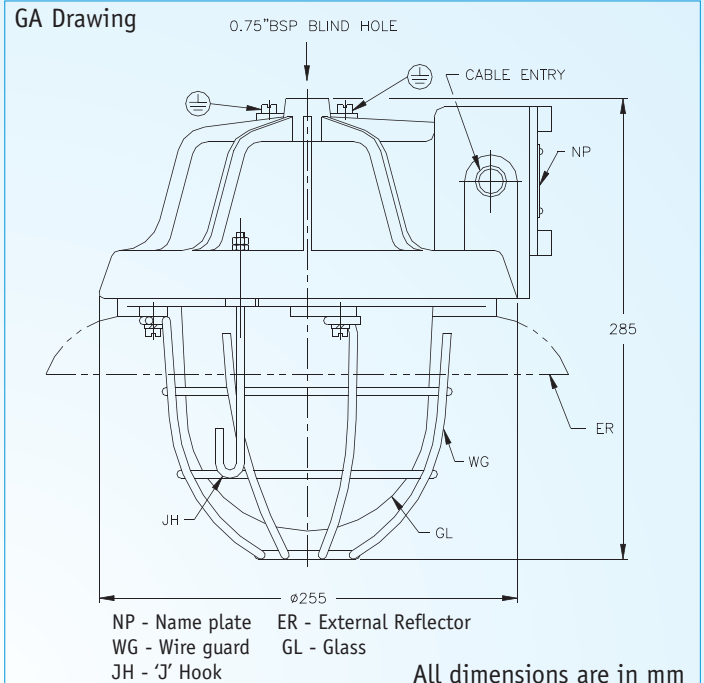
Material	: Aluminium LM6
Weight	: 6.5 Kg (Approx.)
IP Protection	: IP-65 to IS 12063/1987 (IEC 60529/1989)
Finish	: Anti corrosive Epoxy powder coated
Cable Entry	: 2 X (3/4 " ET / 0.5" NPT / M20)
Glass	: Toughened Borosilicate
Wireguard	: 5 mm Welded Steel Construction
Reflector	: Internal Reflector
Suspension	: Type 'B' Ceiling bracket (standard)
Hinge	: 'J' Hook arrangement
Gasket	: Neoprene
Hardware	: Stainless Steel (SS-304)

Electrical Data

Voltage V	: 230 V AC , 50 Hz
Lamp Wattage W	: Kindly refer to chart
Lamp Holder	: Porcelain ES Cap - E27
Wiring	: Fibreglass class F insulated 1.5 sq.mm Standard copper
Max.Cable size	: 3 X 4 sq.mm
Int.Terminations	: 4 sq.mm crimping lugs
Insulators	: Glass fibre reinforced DMC
Earthing	: External 2 Nos - M6 Internal 1 No - M6

Description

Explosion proof well glass luminaire. A toughened clear glass which is cemented into a retaining ring is bolted to the main body. The lamp holder is mounted on suitable brackets for wiring and proper heat dissipation.

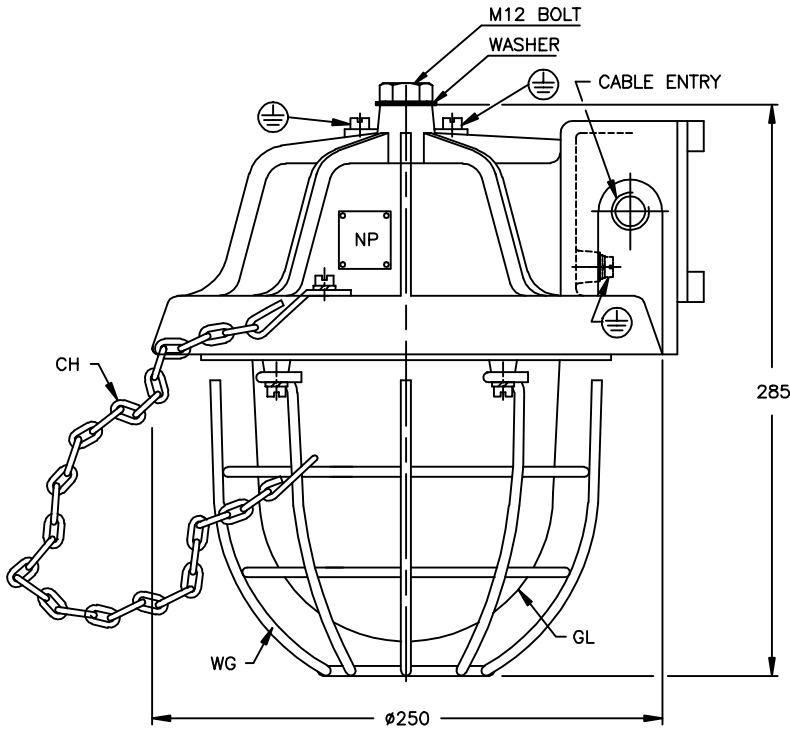


Type of protection	Flame Proof - Exd
Area Classification	Zone 1 & 2
Gas Groups	Group I, II A ,II B & II C
Apparatus Standard	IS:2148-2004 (IEC 60079-1/2001) IS- 2206 Part I
CIMFR Certificate No.	CIMFR/TC/SR/H295 & CIMFR/TC/SR/H490
Approvals	CCE,BIS
Temp Rating	Refer to the chart below
Wattage Rating	Refer to the chart below

Lamp Rating	Temp Rating
80 W HPMV 250 V ac (max.)	T5 at 30 deg. Cel. Ambient
125 W HPMV 250 V ac (max.)	T4 at 30 deg. Cel. Ambient
160 W MLL 250 V ac (max.)	T4 at 30 deg. Cel. Ambient
2*23 W CFL 250V ac (max.)	T6 at 30 deg. Cel. Ambient
25W Red Rotating Bencon 24V/240 ac (max.)	T6 at 30 deg. Cel. Ambient
70 W Metal Halide 240V ac (max.)	T6 at 30 deg. Cel. Ambient
70W HPSV 240V ac (max.)	T6 at 30 deg. Cel. Ambient
100W GLS 240V ac (max.)	T5 at 30 deg. Cel. Ambient
150W GLS 240V ac (max.)	T4 at 30 deg. Cel. Ambient
200W GLS 240V ac (max.)	T3 at 30 deg. Cel. Ambient
60W GLS 240V ac (max.)	T6 at 30 deg. Cel. Ambient

IF IN DOUBT ASK

DO NOT SCALE



NOTES:

- GL -WELLGLASS (TOUGHENED BOROSILICATE CLEAR GLASS TYPE"A")
- WG -WIRE GUARD (M.S, EPOXY POWDER COATED - WHITE COLOUR)
- CH -CHAIN (SS)
- LAMP TO SUIT - REFER TABLE
- LAMP HOLDER -ES PORCELAIN
- INTERNAL REFLECTOR - AL. POLISHED.
- NP - NAME & WARNING PLATE (SS)
- EARTHING -2Nos. EXTERNAL & 1No. INTERNAL
- HARDWARE -SS304

LAMP TO SUIT	TEMP CLASS
60W GLS -250V AC	T6
100W GLS-250V AC	T5
150W GLS-250V AC	T4
150W GLS-250V AC	T3
80W HPMV-250V AC	T5
125W HPMV-250V AC	T4
160W GLS-250V AC	T4

ALL DIMENSIONS ARE IN MM.

E	CABLE ENTRY: 2Nos. 0.75 ET	CUSTOMER :	-	TITLE :	EXPLOSIONPROOF WELLGLASS LUMINAIRE				
		CONSULTANT :	-	CAT No. :	FLPW-1245				
		PROJECT:	-	CLASSIFICATION:	Exd IIC IP65 ZONE 1&2				
		P.O No.:	-	WT:6.5Kgs (APPROX.)	MATL: AL. LM-6	ITEM No.:	-	QTY.:	-
		FINISH : EPOXY POWDER COATED LIGHT GREY(SHADE 631- OF IS-5)	TOLERANCE :±5mm	SCALE		FOR INFORMATION ONLY			
F	CMRS :	CMRI/TC/H375 DT:07.03.1997	IS:13346/04 (IEC:60079-0/00)	NAME	DATE				
	CCE :	A/P/HQ/MH/104/752 DT:30.06.04	IS:2148/04 (IEC:60079-1/01)	REV-1					
	BIS :	CM/L-0364341	IS:12063/87 (IEC:60529/89)	REV-2		SHEET 1 OF 1			
				DRN.	S.S	18.03.09	DRG. NO.	REV	
			CHKD.			QE12450002	0		
			APPD.						



Baliga Lighting Equipments Private Limited,
KOVILAMBAKKAM, CHENNAI-600 117, INDIA.

केन्द्रीय खनन एवं ईंधन अनुसंधान संस्थान

(वैज्ञानिक तथा औद्योगिक अनुसंधान परिषद)
बरवा रोड, धनबाद - 826015, झारखण्ड (भारत)

ADDITIONAL FIRST COPY



CENTRAL INSTITUTE OF MINING AND FUEL RESEARCH

Formerly : Central Mining Research Institute
(COUNCIL OF SCIENTIFIC & INDUSTRIAL RESEARCH)
BARWA ROAD, DHANBAD - 826015, JHARKHAND (INDIA)

REGISTERED POST/COURIER SERVICE

No. CIMFR/TC/SR/H295
I.D. No. 750/07

Dated: 21st July, 2008
CODE NO. FLP/204ZZE/08

To
M/S. BALIGA LIGHTING EQUIPMENTS PVT. LTD.,
389, MEDAVAKKAM ROAD, KOVILAMBAKKAM,
CHENNAI-600 117

Sub: Supplementary Testing for **REVALIDATION** as per IS: 2148-2004 (IEC 60079-1/2001) of your **Flameproof/Weatherproof Wellglass Fitting**, in cast aluminium alloy LM-6 construction, designated by **Cat. No.: FLPW-1245-B**, suitable for 60/100/150/200W GLS lamp, 80/125W HPMV lamp & 160MLL lamp for use in Zone 1 & 2 and Gas Group: IIC atmosphere only.

- **Report on (REVALIDATION)**

Your Ref. Appl. No.: CIMFR/6/225/IIC

Dated: 03/12/2007

Dear Sir,

Please find enclosed the **Supplementary Test Report** for **REVALIDATION** of the above sample as per IS: 2148-2004.

The above apparatus was earlier certified as per IS: 2148-1981 vide CMRI Test Report No. CMRI/TC/P/H744, Dated: 09/07/1998.

Charges of **Rs. 20,832/- (Rupees Twenty thousand Eight hundred Thirty two only)** including applicable service charges involved towards the testing/issuing the schedule have been adjusted against the advance deposit made by you.

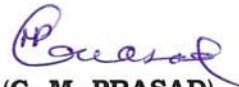
Kindly arrange to collect the sample within 90 days from the date of receipt of this letter failing which CIMFR would dispose off the sample by public auction without any further NOTICE to you.

Kindly acknowledge receipt.

Thanking you,

Yours faithfully,

Encl.: As above
Suppl. Report for Revalidation in Triplicate
Copy to: 1. Head, Flame & Explosion Lab.
2. Bill Section.


(G. M. PRASAD)
HEAD OF THE DEPARTMENT
TESTING CELL

Page 1 of 6

फोन - निदेशक Director
Ph. : 0091 326 2202326/2203043

पी० ए० एक्स PAX
Ph. : 0091 326 2296027/2296028/2296029/2296010/2296013

फैक्स FAX
Ph. : 0091 326 2296019/2202429/2204339/2203150

e-mail : dcmrips@yahoo.co.in, dcmri@csir.res.in. Website : www.cmriindia.nic.in
कार्यालय के दिन : सोमवार से शुक्रवार तक **Working days : Monday to Friday**