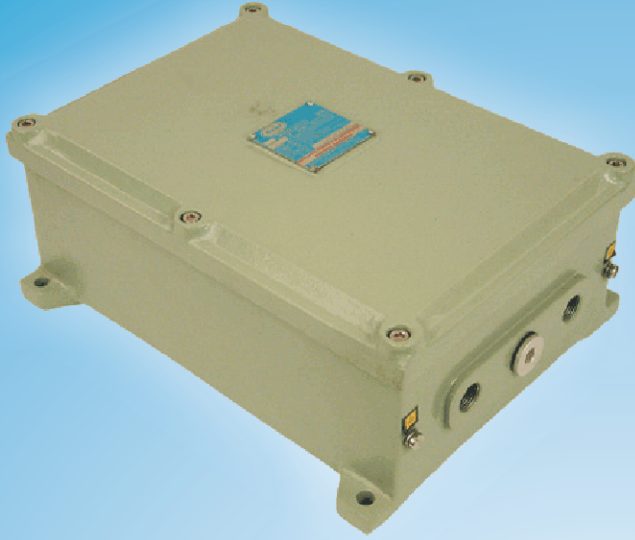


## IS 30990

INCREASED SAFETY CONTROL GEAR BOX



### Mechanical Data

Material	: Aluminium LM6
Weight	: 10.5 Kg
IP Protection	: IP 65 as per IS-12063/1987 (IEC 60529/1989)
Finish	: Anti corrosive epoxy powder coated
Cable Entry	: 3 x 3/4 " ET
Mounting	: Integrally cast mounting lugs
Gasket	: Neoprene
Hardware	: Stainless Steel

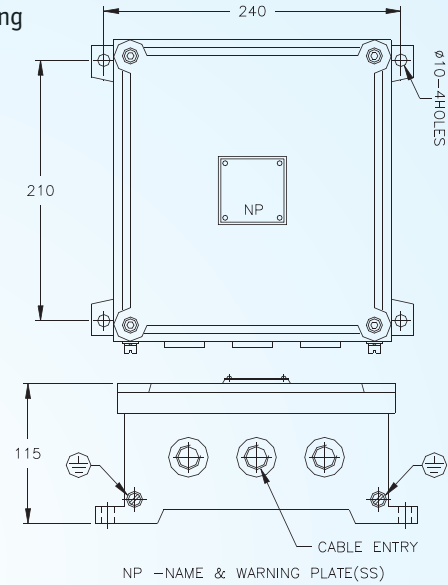
### Electrical Data

Voltage	V : 230 V AC , Setting adjustable up to 200 V
Ballast	W : 250 / 400 HPMV
Condenser mfd	: 16, 20
Wiring	: PVC insulated 2.5 sq.mm stranded copper
Max. Cable size	: 3 x 6 sq.mm
Terminations	: 4 way anti-vibration terminal block
Insulators	: Glass fibre reinforced DMC
Earthing	: External 2 Nos - M6 Internal 1 No - M5

### Description

Increased safety control gear box fitted with a control gear tray with provision to mount HPMV Ballasts up to 400 W. Specially designed anti-vibration terminals provide safe termination of the incoming cable using slotted crimping lugs. A neoprene gasket provides complete protection against entry of dust and water. Ample space is provided for the easy termination of cables along with provision for looping.

GA Drawing



All dimensions are in mm

Type of protection	Increased Safety - Exe
Area Classification	Zone 2
Apparatus Standard	IS:6381 & IS:8224
CIMFR Certificate No.	TC/SR/H652
Approvals	CCE

1

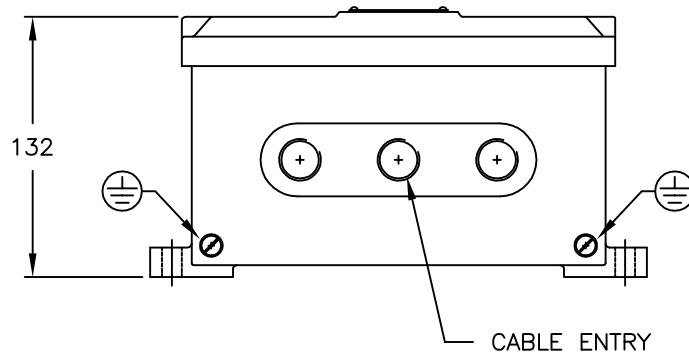
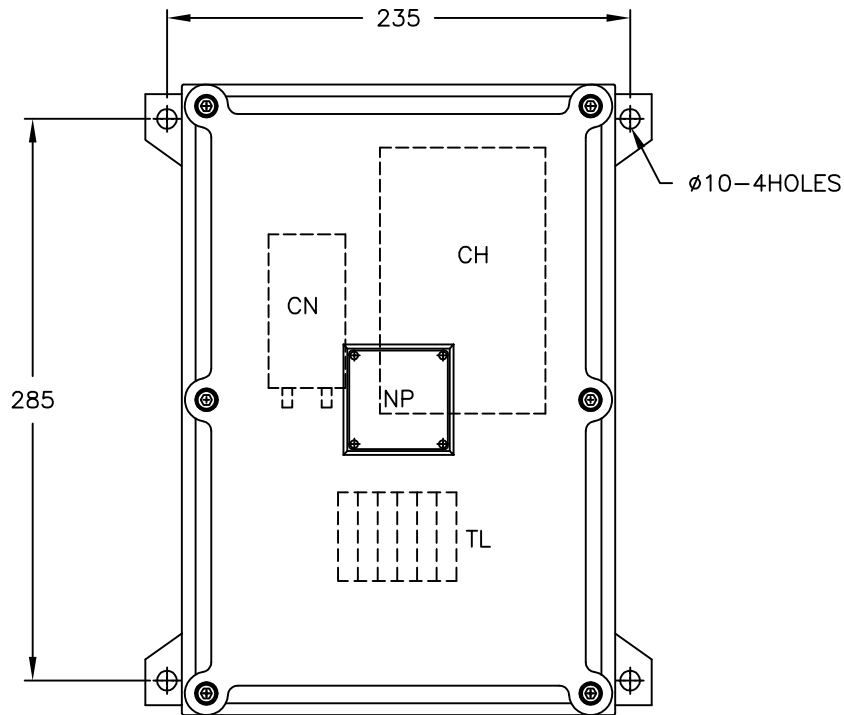
2

3

4

IF IN DOUBT ASK

DO NOT SCALE



## NOTES:

CH - CHOKE 250W

CN - CONDENSOR 20mfd

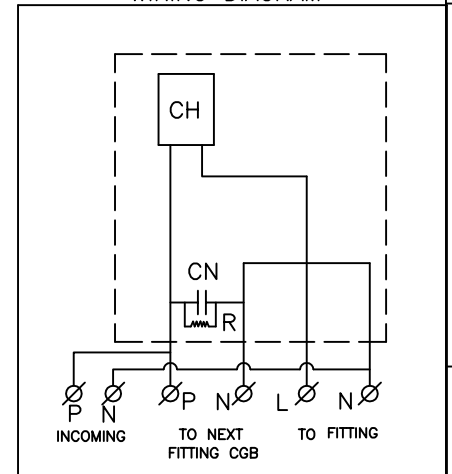
TL - 6Nos. 4SQ.MM TERMINALS (SPRING LOADED) - ELMEX MAKE

NP - NAME &amp; WARNING PLATE (SS)


HARDWARE - SS 304

EARTHING - 2Nos.EXTERNAL &amp; 1No.INTERNAL

WIRING DIAGRAM



ALL DIMENSIONS ARE IN MM.

E	CABLE ENTRY: 3Nos. 0.5 NPT/0.75 ET	CUSTOMER : -	TITLE : INCREASED SAFETY CONTROL GEAR BOX			
		CONSULTANT : -	CAT No : IS-30990/250W			
F		PROJECT : -	CLASSIFICATION : Exe IP65 ZONE 2			
		P.O No. : -	WT.: 10.5KGS (APPROX.)	MATL.: LM-6	ITEM No.:	QTY.:
		FINISH : EPOXY POWDER COATED LIGHT GREY (SHADE-631 OF IS:5)	TOLERANCE : ±5mm		FOR INFORMATION ONLY	
			SCALE N.T.S			
	CMRI : V/1/5/1462 DT.:04.08.1982	IS:13346/04 (IEC:60079-0/00)	NAME	DATE		
	CCE : R1(1)136/BALIGA/12-XVIII DT:24.12.2004	IS:6381/04 (IEC:60079-7/01)	REV-1			
		IS:12063/87 (IEC:60529/89)	REV-2	SHEET 1 OF 1		
	 <b>Baliga Lighting Equipments Private Limited,</b> KOVILAMBAKKAM, CHENNAI-600117, INDIA.	DRN.	S.S	20.12.08	DRG. No.	REV
		CHKD.			QE30990001	0
		APPD.				

1

2

3

4

# केन्द्रीय खनन एवं ईंधन अनुसंधान संस्थान

(वैज्ञानिक तथा औद्योगिक अनुसंधान परिषद)  
बरवा रोड, धनबाद - 826015, झारखण्ड (भारत)



ADDITIONAL SECOND COPY

## CENTRAL INSTITUTE OF MINING AND FUEL RESEARCH

Formerly : Central Mining Research Institute  
(COUNCIL OF SCIENTIFIC & INDUSTRIAL RESEARCH)  
BARWA ROAD, DHANBAD - 826015, JHARKHAND (INDIA)

### REGISTERED POST/COURIER SERVICE

No. CIMFR/TC/SR/H652  
I.D. No. 1021/08

Dated: 21<sup>st</sup> November, 2008  
CODE NO. FLP/266B/08

To  
**M/S. BALIGA LIGHTING EQUIPMENTS PVT. LTD.,**  
389, MEDAVAKKAM ROAD, KOVILAMBAKKAM,  
**CHENNAI-600 117**

**Sub:** Supplementary Testing for **REVALIDATION** as per IS: 6381-2004 (IEC 60079-7 (2001)) of your **Increased Safety/Weatherproof Control Gear Box**, designated by **Cat No. IS-30990**, in cast aluminium alloy LM-6 construction, suitable for rated upto 400W HPMV/HPSV or upto 250W Metal halide lamp at upto 230V AC for use in Zone 2 area only.

- **Report on (REVALIDATION)**

**Your Ref. Appli. No.: CMRI/6/120/REV Dated: 17/12/2007**  
**Declaration Letter No.: 6/120 Dated: 05/08/2008**

Dear Sir,

Please find enclosed the **Supplementary Test Report** for **REVALIDATION** of the above sample as per IS: 6381- 2004.

The above apparatus was earlier certified as per IS: 6381-1972 vide CIMFR (Erstwhile: CMRI) certificate no. V/1/5/1462, dated 04/08/1982.

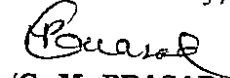
Charges of **Rs. 6,967/- (Rupees Six thousand Nine hundred Sixty Seven)** only including applicable service charges involved towards the testing /issuing the schedule have been adjusted against the advance deposit made by you.

Kindly arrange to collect the sample within 90 days from the date of receipt of this letter failing which CIMFR would dispose off the sample by public auction without any further NOTICE to you.

Kindly acknowledge receipt.

Thanking you,

Yours faithfully,

  
(G. M. PRASAD)

HEAD OF THE DEPARTMENT  
TESTING CELL

Encl.: As above  
Supplementary Report for Revalidation in Triplicate  
Copy to: 1. Head, Flame & Explosion Lab.  
2. Bill Section.

Page 1 of 6

फोन - निदेशक Director

Ph. : 0091 326 2202326/2203043

पी० ए० एक्स PAX

Ph. : 0091 326 2296027/2296028/2296029/2296010/2296013

फैक्स FAX

Ph. : 0091 326 2296019/2202429/2204339/2203150

e-mail : dcmrips@yahoo.co.in, dcmri@csir.res.in. Website : www.cmriindia.nic.in

कार्यालय के दिन : सोमवार से शुक्रवार तक **Working days : Monday to Friday**