

S 300 Series



S 300 FA

WEATHERPROOF FIRE ALARM STATION



Mechanical Data

- Material : Aluminium LM6
- Weight : 1.5 Kg (Approx.,)
- IP Protection : IP 65
- Finish : Anti corrosive epoxy powder coated
- Cable Entry : 2 x 3/4" ET
- Gasket : Neoprene
- Hardware : Stainless Steel (SS-304)

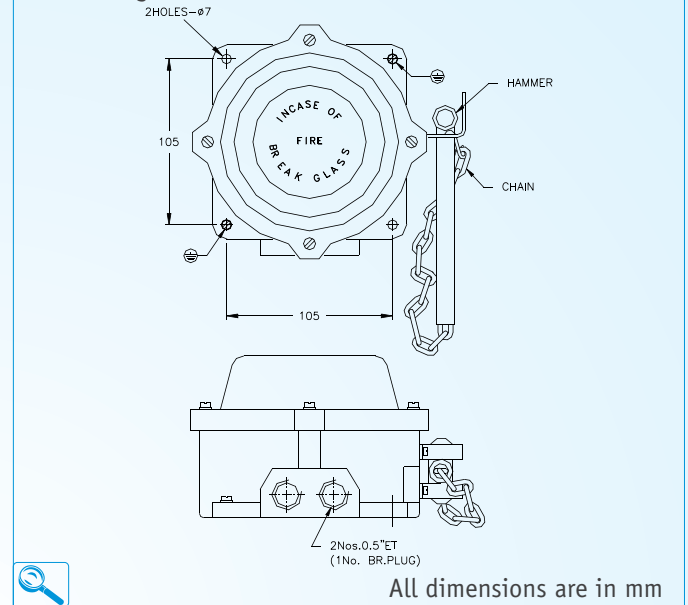
Electrical Data

- Contact Element : 1 NO + 1 NC
- Rating Voltage : 500 V, 50 Hz AC
- Current : 10 A
- Earthing : External : 2 Nos - M6
Internal : 1 No - M5

Description

Weather proof Fire Alarm Station with push button actuator with a mushroom head. The actuator is in contact with the glass cover which when broken activates the alarm. The alarm station is provided with a large gasket for weather protection.

GA Drawing



All dimensions are in mm

Type of protection	Weatherproof - Wp
Area Classification	Safe Area
Apparatus Standard	IS - 13947 / 93

