

AW 900

WEATHER PROOF AVIATION OBSTRUCTION LIGHT
(MEDIUM INTENSITY RANGE)



Mechanical Data

Material	: Aluminium LM6
Weight	: 4.0 Kg (Approx.)
IP Protection	: IP 65 as per IS - 13947 / 93 (IEC 60529/1989)
Finish	: Anti corrosive epoxy - Powder coated.
Cable entry	: Bottom entry & terminal chamber cover for wiring.
Glass	: Toughened borosilicate type 'A'
Suspension	: Pipe
Gasket	: Neoprene
Hardware	: Stainless Steel

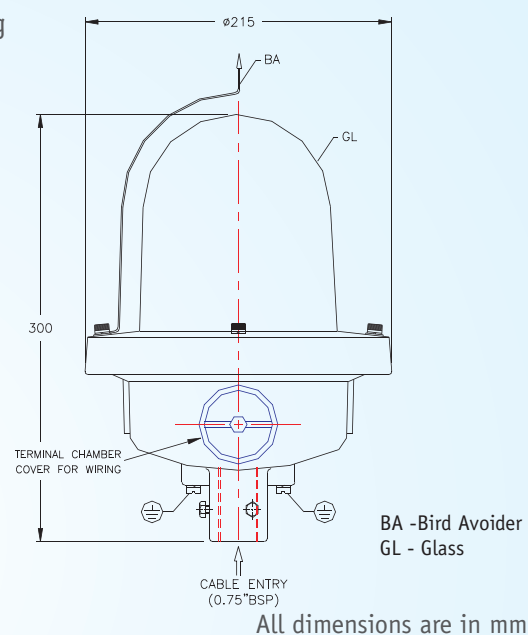
Electrical Data

Voltage	V	: 24 V DC / 48 V DC / 230 V AC , 50 Hz
Output light - intensity		: 1600 Cd
Lamp wattage W		: Less than 20 W
Flashing rate		: 20 - 60 flashes per minute
Colour		: Red
No. of LEDs		: 750
Intensity of LED		: 2800 mcd
Wavelength of LED		: 720 nm
Angle of reflection		: 15° above horizontal
No. of circuits		: Eight in parallel
Wiring		: 1.5 sq.mm stranded copper
Int. Terminations		: 4 sq.mm crimping lugs
Earthing		: External - 2 Nos - M6 Internal - 1 No - M5

Description

Weather proof Aviation Obstruction Light with Integral terminal chamber. A toughened borosilicate clear type 'A' glass is mounted with neoprene gasket on a retaining ring and fixed to body by 4 nos. Of stainless steel screws. A lamp unit (LED) is housed inside the fitting. The unit is wired up to 2 Nos. Terminals provided for easy wiring and settings. A bird avoider hook is provided on the top. (Compliant to ICAO standards Annexe 14, h July, 1990)

GA Drawing



Type of protection	Weatherproof - Wp
Apparatus Standard	IS:2148-2004 (IEC 60079-1/2001)
CMRI Certificate No	CMRI / TC / P / H 1216
Temp Rating	T6
Wattage Rating	20 W Max.

Salient Features

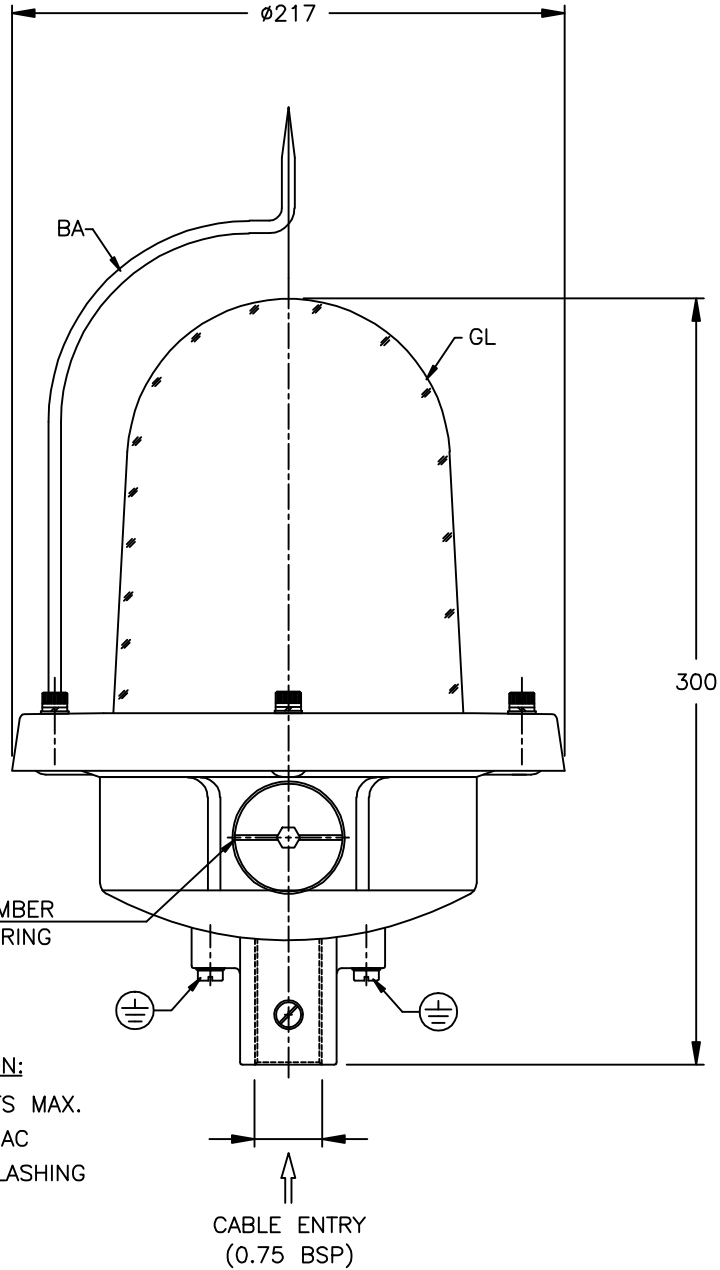
- 1 Entire LED bulb unit completely replaceable.
- 2 Photo cell optionally provided to switch ON & Off at Dusk and Dawn.
- 3 Life 100,000 Hours

Variations

AW 900 F	With photocell
AW 900 SF	With Photo cell & flasher unit.

IF IN DOUBT ASK

DO NOT SCALE



LED AVIATION LAMP SPECIFICATION:

POWER CONSUMPTION - 18 WATTS MAX.
 OPTIONAL INPUT POWER - 230V AC
 MAX. TEMPERATURE - 48°C AT FLASHING
 ILLUMINATION : 1600Cds
 COLOUR OF THE LAMP - RED
 ANGLE REFLECTIONS - 15° ABOVE HORIZONTAL

FLASHING FREQUENCY

20 TO 60 FLASHES PER MINUTE

ALL DIMENSIONS ARE IN MM.

<p>NOTES: GL - WELLGLASS (BOROSILICATE CLEAR GLASS) BA - BIRD AVOIDER EARTHING - 2Nos. EXTERNAL & 1No. INTERNAL HARDWARES - SS304</p>	CUSTOMER :		TITLE :			
	CONSULTANT :		WEATHERPROOF AVIATION LUMINAIRE			
	PROJECT :		CAT No : AW-900			
	P.O No. :		CLASSIFICATION : IP65			
	FINISH : EPOXY POWDER COATED AVIATION YELLOW		WT.:2.1KGS. (APPROX.)	MATL.: LM-6	ITEM No.: -	
	IS:12063/87 (IEC:60529/89)		TOLERANCE : ±5mm		QTY.: -	
		SCALE N.T.S		FOR INFORMATION ONLY		
		NAME	DATE			
		REV-1 S.S	29.10.08			
		REV-2		SHEET 1 OF 1		
		DRN.	E.M	06.06.06	DRG. No.	REV
		CHKD.			GAAW900001	1
		APPD.				



Baliga Lighting Equipments Private Limited,
 KOVILAMBAKKAM, CHENNAI-600117, INDIA.