

AW 306 Solar

SOLAR POWERED AVIATION OBSTRUCTION LIGHT



Mechanical Data

Material(Lamp)	: Aluminium LM6
Weight	: 7.5 Kg (Approx.)
IP Protection	: IP 65 to IS 13947 / 93
Finish	: Anti corrosive epoxy - Powder coated.
Lens	: Heat resistant borosilicate/Polycarbonate
Mounting Suspension	: Pipe with plate bracket
Gasket	: Neoprene
Hardware	: Stainless Steel

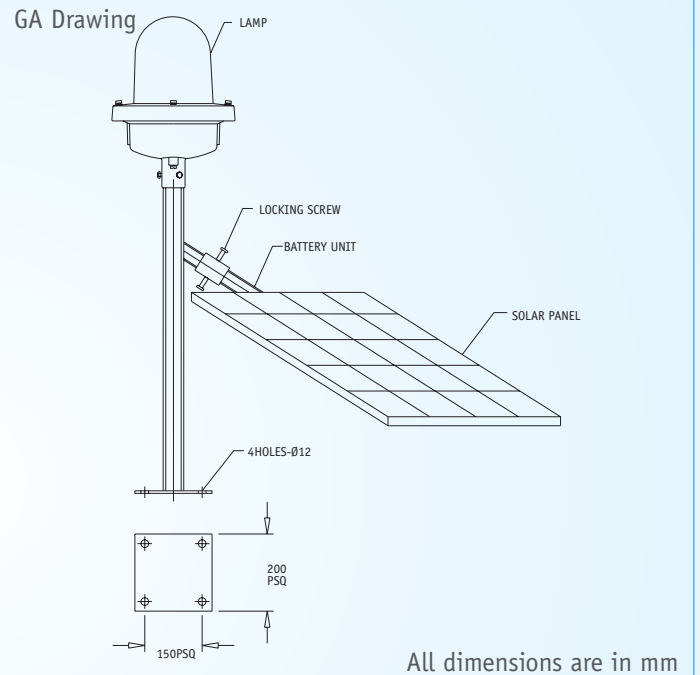
Electrical Data

Lamp Voltage V	: 12 V / 24 V / 48 V DC
Output Light - Intensity	: 15 -20 Cd
Intensity of each LED	: 2800 mcd
No. Of LEDs	: 30
Lamp Wattage W	: Less than 5 W
Colour	: Red
Wave Length of LED	: 720 nm
Angle of Reflection	: 15° above horizontal
No. Of Circuits	: Five in Parallel
Wiring	: 1.5 sq.mm Stranded copper
Int. Terminations	: 4 sq.mm Crimping lugs
Earthing	: External 1 Nos - M6 Internal 1 No - M5
Battery	: 2.5 Ah (Ni Mh)
Solar Panel	: Multi Crystallinetype 12V-8W
Make of panel	: AMMINI/ BEL/ TATA BP/ SOLKER
Autonomy	: 3 Days

Note: Size of the panel will vary according to the availability

Description

Weather proof solar powered Aviation Obstruction light with integral battery backup. A toughened borosilicate clear glass/polycarbonate clear doom is fitted with a neoprene gasket on a retaining ring and fixed to body by 3 nos of stainless steel screws. An LED lamp cluster unit is housed inside the fitting. The unit is connected to the battery and the solar panel. During the day time the battery charges through the solar panel and during night the lamp will with the help of battery backup.
(Compliant to ICAO standards Annexe 14,th July, 1990)



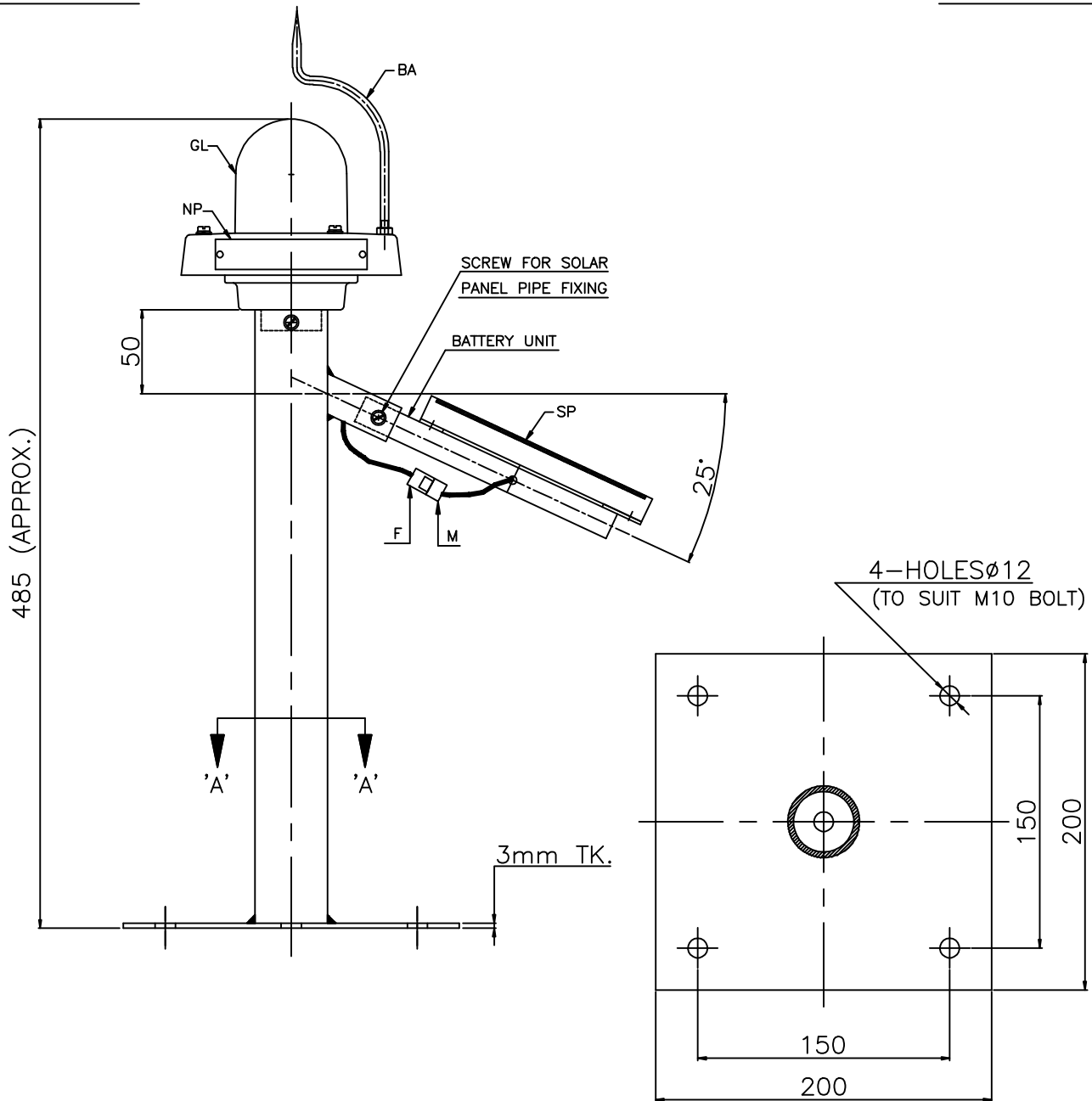
Type of protection	Weatherproof - Wp
Apparatus Standard	IS - 13947 / 93
Temp Rating	T6

Salient Features

- 1 Steady or Flash Mode can be selected
- 2 Entire LED bulb unit completely replaceable.
- 3 Unit will switch ON & Off at Dusk and Dawn.
- 4 Full charge in 6 hours.
- 5 AW 306 lamp has been tested seismically.
- 6 Unit is capable of charging the battery at minimum sunlight level
- 7 Solar Panel and battery unit can be replaced easily by loosening the locking screws.

IF IN DOUBT ASK

DO NOT SCALE



SECTION - 'AA'

ALL DIMENSIONS ARE IN MM.

NOTES:

- GL - WELLGLASS (POLY CARBONATE)
- NP - NAME PLATE (SS-304)
- BA - BIRD AVOIDER
- SP - SOLAR PANEL
- M - MALE CONNECTOR
- F - FEMALE CONNECTOR
- HARDWARES - SS304

CUSTOMER :	-	TITLE : SOLAR POWERED AVIATION OBSTRUCTION LIGHT			
CONSULTANT :	-	CAT No : AW-306 S			
PROJECT :	-	CLASSIFICATION : -			
P.O No. :	-	WT.: 5.5Kgs (APPROX.)	MATL.: LM-6	ITEM No.:	QTY.:
FINISH : EPOXY POWDER COATED GOLDEN YELLOW (SHADE-356 OF IS.5)		TOLERANCE : ±5mm		FOR INFORMATION ONLY	
IS:12063/87 (IEC:60529/89)		SCALE N.T.S			

		NAME	DATE	SHEET 1 OF 1	
		REV-1	S.S	29.10.08	
		REV-2			
		DRN.	E.M	06.06.06	
		CHKD.			
		APPD.			
				DRG. No.	REV
				GAAW306002	1



Baliga Lighting Equipments Private Limited,
 KOVILAMBAKKAM, CHENNAI-600117, INDIA.