

AW 306

WEATHER PROOF AVIATION OBSTRUCTION LIGHT



Mechanical Data

Material	: Aluminium LM6
Weight	: 1.5 Kg (Approx.)
IP Protection	: IP 65 as per IS-12063/1987 (IEC 60529/1989)
Finish	: Anti corrosive Epoxy - Aviation Yellow
Cable Entry	: Bottom Entry & Terminal Chamber cover for wiring.
Glass	: Toughened Borosilicate Type 'A'
Suspension	: Pipe
Gasket	: Neoprene
Hardware	: Stainless Steel

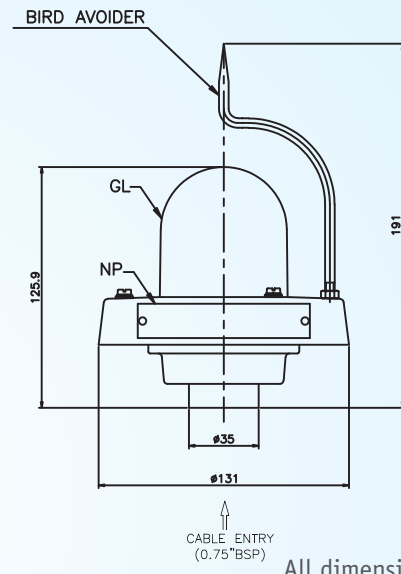
Electrical Data

Voltage	V	: 24 V DC / 48 V DC / 230 V AC , 50 Hz
Output Light - Intensity		: 55 Cd
Lamp Wattage W		: low intensity 8W
Colour		: Red
No. Of LEDs		: 80
Intensity of LED		: 2800 mcd
Wave Length of LED		: 720 nm
Angle of Reflection		: 15° above horizontal
No. Of Circuits		: Six in Parallel
Wiring		: 1.5 sq.mm Stranded copper
Int. Terminations		: 4 sq.mm Crimping lugs
Earthing		: External 2 Nos - M6 Internal 1 No - M5

Description

Weather proof Aviation Obstruction Light with Integral terminal chamber. A toughened borosilicate clear type 'A' glass is mounted with neoprene gasket on a retaining ring and fixed to body by 3 nos. Stainless steel screws. A lamp unit (LED) is housed inside the fitting. The unit is wired up to 2 Nos. Terminals provided for easy wiring and settings. A bird avoider hook is provided on the top. (Compliant to ICAO standards Annexe 14, h July, 1990)

GA Drawing



All dimensions are in mm

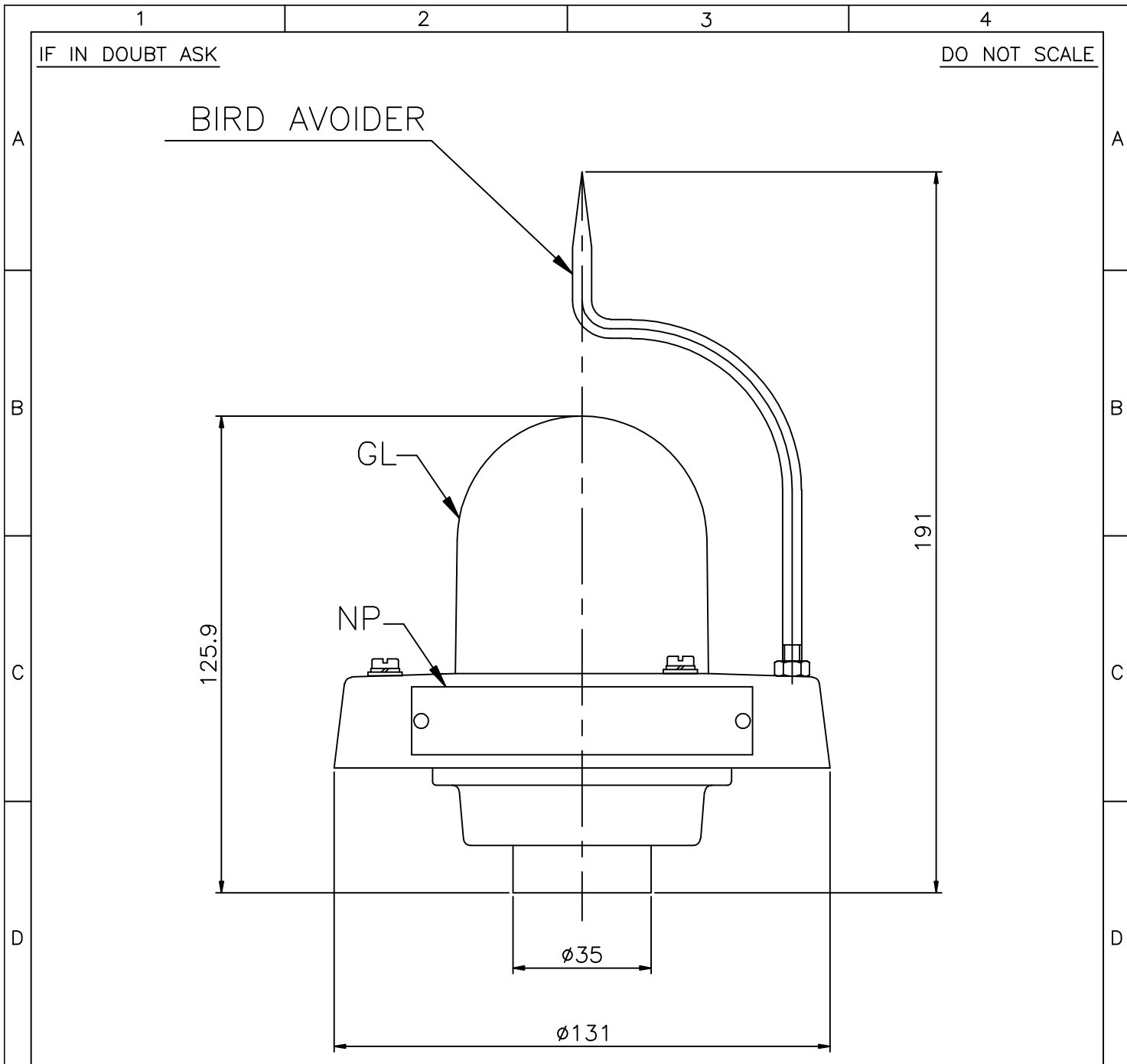
Type of protection	Weatherproof - Wp
Apparatus Standard	IS - 13947 / 93 (IEC 60529/1989)
Temp Rating	T6
Wattage Rating	8 W Max.

Salient Features

- Field selectable flashing rates : (optional)
 - Fast (Two flashes per second)
 - Medium (One flash per second)
 - Slow (One flash per every two seconds)
 - Steady mode
- Entire LED bulb unit completely replaceable.
- Photo cell optionally provided to switch ON & Off at Dusk and Dawn.
- Life 100,000 Hours
- AW 303 lamp has been tested seismically.

Variations

AW 303	Basic model
AW 303 - S	With photocell
AW 303 - SF	With Photo cell & flasher unit.



ALL DIMENSIONS ARE IN MM.

NOTES:

GL - WELLGLASS (POLY CARBONATE)
 NP - NAME PLATE (SS-304)
 HARDWARES - SS304

CUSTOMER :	-	TITLE : WEATHERPROOF AVIATION OBSTRUCTION LUMINAIRE			
CONSULTANT :	-	CAT No : AW-306			
PROJECT :	-	CLASSIFICATION : IP65			
P.O No. :	-	WT.:1.5KGS. (APPROX.)	MATL.: LM-6	ITEM No.:	QTY.:
FINISH : EPOXY POWDER COATED AVIATION YELLOW		TOLERANCE : ±5mm		FOR INFORMATION ONLY	
IS:12063/87 (IEC:60529/89)		SCALE	N.T.S		
		NAME	DATE		
		REV-1	S.S	29.10.08	
		REV-2			SHEET 1 OF 1
		DRN.	E.M	26.05.06	DRG. No.
		CHKD.			GAAW306001
		APPD.			REV 1



Baliga Lighting Equipments Private Limited,
 KOVILAMBAKKAM, CHENNAI-600117, INDIA.