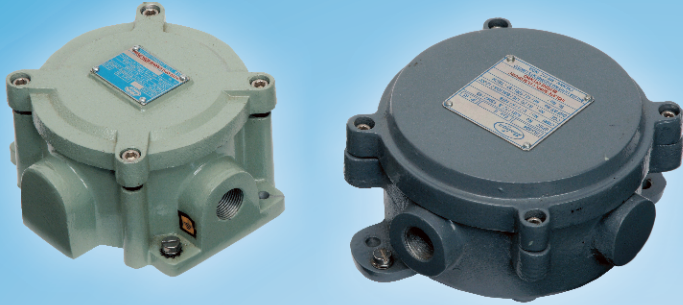


## ISJ 600 Series

INCREASED SAFETY JUNCTION BOX  
Int'l Dim: 125mm Dia x 55 mm depth



### Mechanical Data

Material : Aluminium LM6  
 Weight : 0.90 Kg.(Approx.,)  
 IP Protection : IP 65 as per IS 13947 / 1993 / IEC 60529 / 1989  
 Finish : Anti corrosive Epoxy powder coated  
 Cable Entry : (0.75" ET / 0.5" NPT / BSP / M20)  
 Cover Fixing : Bolted  
 Gasket : Neoprene  
 Hardware : Stainless Steel(SS-304)

### Electrical Data

Terminals : 6 nos. 4 sq.mm  
 Earthing : External : 2 Nos - M6  
                   Internal : 1 No - M5  
 Terminal Blocks : Glass Fibre reinforced DMC

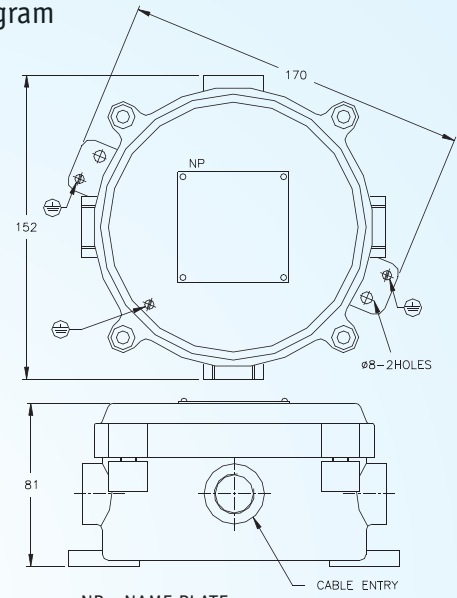
### Cable Entry Chart

Entry Size (Inches)		
BSC	NPT / BSP	Metric (mm)
0.50	0.25	M16 x 1.5
0.75	0.50	M20 x 1.5
1.00	0.75	M25 x 1.5

## Description

Increased safety lighting junction boxes available in three different sizes with bolted cover. Maximum of four entries can be provided in each of circuit branching. A terminal block with anti-vibration terminals is provided for safe and reliable termination of the cables. High quality neoprene gaskets ensure reliable weather proof protection.

### GA Diagram



NP - NAME PLATE

All dimensions are in mm

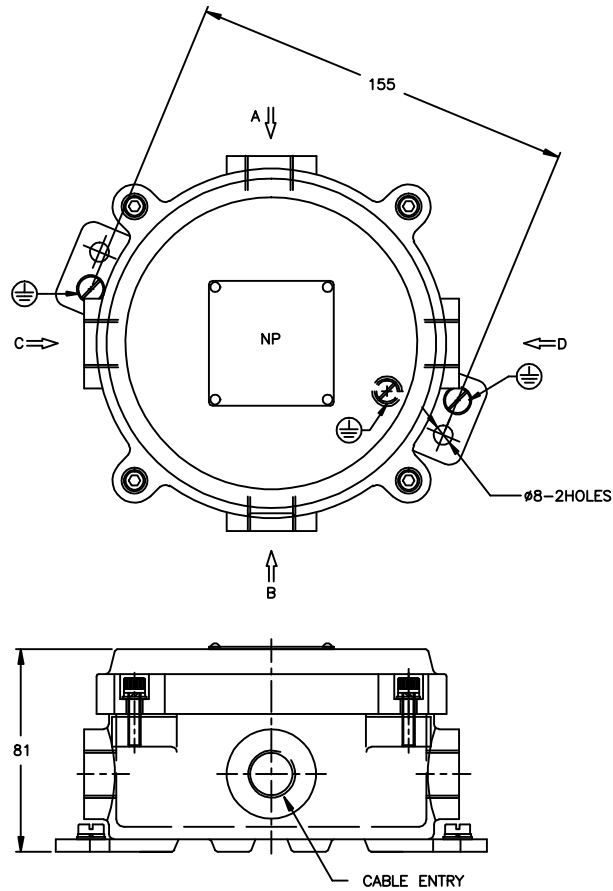
Type of protection	Increased Safety - Exe
Area Classification	Zone 2
Apparatus Standard	IS - 8224
CIMFR Certificate No.	V / 1 / 1 / 1476
Approvals	CCE, BIS

Cat.No.	Entry	Dimension	Weight
ISJ 602	2 Way	125 mm dia x 55 mm	0.90 Kg
ISJ 603	3 Way	125 mm dia x 55 mm	0.90 Kg
ISJ 604	4 Way	125 mm dia x 55 mm	0.90 Kg

### Dimension Chart

1 IF IN DOUBT ASK

4 DO NOT SCALE



**NOTES:**

- NP -NAME & WARNING PLATE(SS)
- EARTHING -2Nos. EXTERNAL & 1No. INTERNAL
- HARDWARE -SS304
- GASKET - NEOPRENE

INTERNAL DIMENSION:Ø125x65mm  
ALL DIMENSIONS ARE IN MM

E	CUSTOMER :		TITLE : INCREASED SAFETY JUNCTION BOX			
	PMC:-		CAT No. : ISJ-604			
F	PROJECT:		CLASSIFICATION: Exe IP65 ZONE 2			
	FINISH : EPOXY POWDER COATED LIGHT GREY (SHADE 631 OF IS:5)		WT:0.85KGS (APPR.)	MATL: AL. LM-6	ITEM No.:	QTY.:
CMRI : V/1/1/1476 DT: 21.03.91		IS : 13346/2004 (IEC:60079-0/2000)	TOLERANCE :±5mm		FOR APPROVAL	
CCE : R1(1)136/BALIGA/12-XVIII DT:24.12.2004		IS : 6381/2004 (IEC:60079-7/2001)	SCALE N.T.S			
		IS : 12063/1987 (IEC:60529/1989)	NAME	DATE		
			REV-1		SHEET 1 OF 1	
			REV-2			
			DRN.	S.S		11.05.09
			CHKD.		DRG. NO.	REV
			APPD.		QEISJ60401	0



**Baliga Lighting Equipments Private Limited,**  
KOVILAMBAKKAM, CHENNAI-600 117, INDIA.