

FLSR 25

FLAME PROOF LOUD SPEAKER



Mechanical Data

Material	: Cast Aluminium LM 6
Weight	: 2.5 Kg (approx.)
IP Protection	: IP 65 as per IS:13947-1993(IS:12063-1987)
Finish	: Anti corrosive Epoxy - Powder Coated : Red (RAL - 3000)
Cable Entry	: 2 x 3/4" ET
Gasket	: Neoprene
Hardware	: Stainless Steel

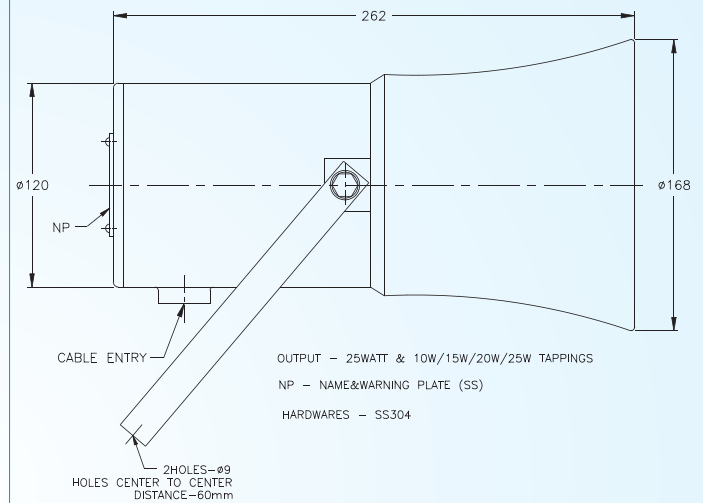
Electrical Data

Voltage	: 100 V / 70 V Line Transformer
Wattage	: 25 W (max.) & 10/ 15 / 20 W Tappings
Sound Output	: 115 db
Terminals	: 6 way terminal block 2.5 sq. mm
Earthing	: Internal : 2 Nos. 2.5 sq. mm

Description

Explosion proof Loud Speaker. The Unit consists of enclosure housing loud speaker unit with transformer and sounder duly epoxy sealed with thermal fuse protection. The deflector and horn unit is ergonomically & optimally designed to have maximum output. The unit has a 6 way connector with cable entries for wiring through FLP cable glands, and is ready for multi- dropping.

GA Drawing



All dimensions are in mm

Type of protection	Flame Proof - Exd T6 IP 65
Area Classification	Zone 1 & 2
Gas Groups	Group I, II A, II B & II C
Apparatus Standard	IS-2148:2004(IEC 60079-1/2001)
CMRI Certificate No.	CMRI / TC / S / H1413
Approvals	CCE, BIS

Salient Features

- A** Built in thermal fuse
- B** Multi drop facility

1

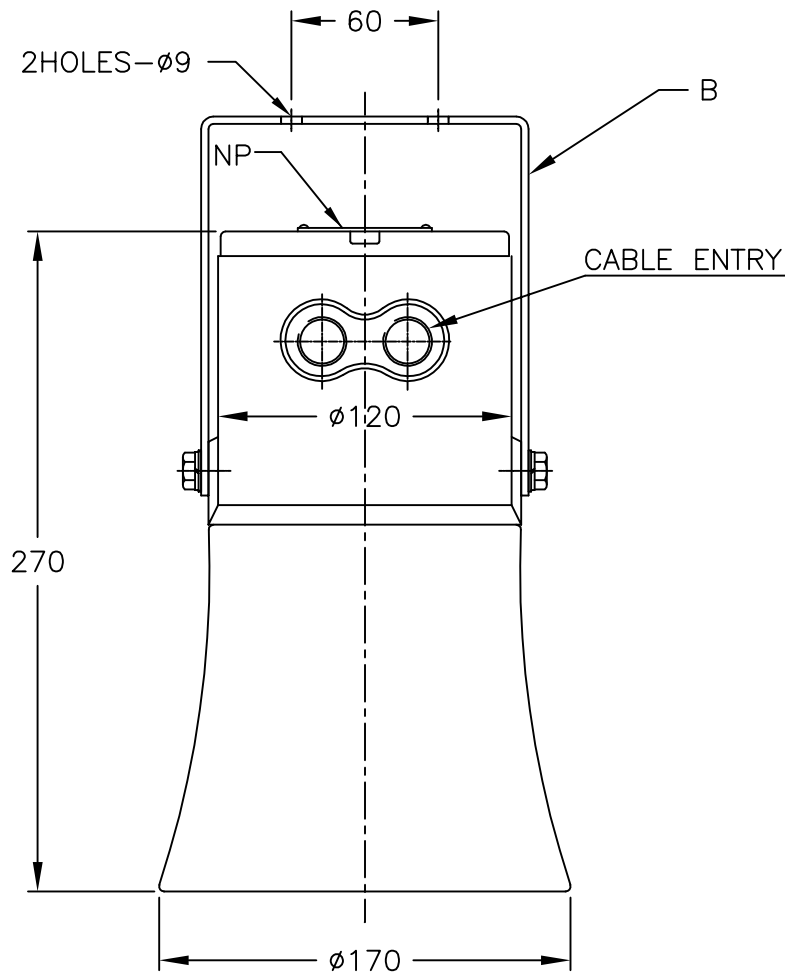
2

3

4

IF IN DOUBT ASK

DO NOT SCALE

**NOTES:**

SEALED DIAPHRAGM

FREQUENCY RANGE - 200-5000Hz

8-Ohm IMPEDANCE & 100V/70V LINE TRANSFORMER VERSIONS

OUTPUT - 25WATT & 10W/15W/20W/25W TAPPINGS

CONNECTOR - 6WAY (SUITABLE FOR 2.5SQMM)

NP - NAME & WARNING PLATE (SS)

HARDWARE - SS304

TERMINAL DIAGRAM

TF	25	20	15	10	C	COM	⊥
90°C	W	W	W	W	M		
⊗	⊗	⊗	⊗	⊗	⊗	⊗	⊗

ALL DIMENSIONS ARE IN MM.

E	CABLE ENTRY : 2Nos. 0.75 ET		CUSTOMER : -		TITLE : EXPLOSIONPROOF/WP LOUD SPEAKER				
			CONSULTANT : -		CAT No : FLSR-25				
			PROJECT : -		CLASSIFICATION : Exd IIC IP65 ZONE 1&2				
			P.O No. : -		WT: 2.5 Kgs (APPROX.)	MATL.: AL.LM-6	ITEM No.:	QTY.:	
			FINISH : EPOXY POWDER COATED LIGHT GREY (SHADE-631 OF IS:5)		TOLERANCE : ±5mm		FOR INFORMATION ONLY		
F	CMRI : CMRI/TC/P/H1413 DT. 27.12.2001		IS:13346/04 (IEC:60079-0/00)		NAME	DATE			
	CCE : A/P/HQ/MH/104/767 DT. 30.06.2004		IS:2148/04 (IEC:60079-1/01)		REV-1				
			IS:12063/87 (IEC:60529/89)		REV-2		SHEET 1 OF 1		
					DRN.	S.S	20.12.08	DRG. No.	REV
					CHKD.			QEFLSR2501	0
				APPD.					



Baliga Lighting Equipments Private Limited,

KOVILAMBAKKAM, CHENNAI-600117, INDIA.

1

2

3

4

केन्द्रीय खनन एवं ईंधन अनुसंधान संस्थान

(वैज्ञानिक तथा औद्योगिक अनुसंधान परिषद)
बरवा रोड, धनबाद - 826 001, झारखण्ड, भारत



ADDITIONAL FIRST COPY

Central Institute of Mining and Fuel Research

Formerly : Central Mining Research Institute
(Council of Scientific & Industrial Research)
BARWA ROAD, DHANBAD-826 001, JHARKHAND, INDIA

REGISTERED POST/COURIER SERVICE

No. CIMFR/TC/SR/H1219
I.D. No. 953/07

Dated: 31st March, 2008
CODE NO. FLP/204R/08

To
M/S. Baliga Lighting Equipments Pvt. Ltd.,
389, Medavakkam Road,
Kovilambakkam,
Chennai-600 117

Sub: Supplementary Testing for **REVALIDATION** as per IS: 2148-2004 (IEC 60079-1/2001) of your enclosure for **Flameproof-cum-Weatherproof Loud Speaker**, in cast aluminium alloy LM-6 construction, designated by **Cat. No.: FLSR-25** for use in Zone 1 & 2 and Gas Group: IIC atmosphere only.

- Report on (REVALIDATION)

Your Ref. Appl. No.: CMRI/6/289/IIC

Dated: 21/12/2007

Dear Sir,

Please find enclosed the **Supplementary Test Report** for **REVALIDATION** of the above sample as per IS: 2148-2004.

The above apparatus was earlier certified as per IS: 2148-1981 vide CMRI Test Report No. CMRI/TC/P/H1413, Dated: 27/12/2001 and subsequent Addendum Report No. mentioned in the schedule of this report.

Charges of ~~Rs. 10,382/-~~ ^{9,483/-} ~~(Rupees Ten thousand Three hundred Eighty Two only)~~ ^{here} ~~Four~~ ^{three} including applicable service charges involved towards the testing/issuing the schedule have been adjusted against the advance deposit made by you.

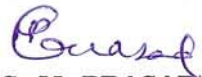
Kindly arrange to collect the sample within 90 days from the date of receipt of this letter failing which CIMFR would dispose off the sample by public auction without any further NOTICE to you.

Kindly acknowledge receipt.

Thanking you,

Yours faithfully,

Encl.: As above
Suppl. Report for Revalidation in Triplicate
Copy to: 1. Head, Flame & Explosion Lab.
2. Bill Section.


(G. M. PRASAD)
HEAD OF THE DEPARTMENT
TESTING CELL

Page 1 of 6

फोन-निदेशक Director
Ph.: 0091-326-2202326/2203043

पी० ए० एक्स PAX
Ph.: 0091-326-2203010/2203070/2203090/2205045/2209041

फैक्स FAX
0091-326-2201442/2202429/2204339/2203156

e-mail : dcmrips@yahoo.co.in, dcmri@csir.res.in • Website : www.cmriindia.nic.in

कार्यालय के दिन : सोमवार से शुक्रवार तक Working days : Monday to Friday