

## EXC 9001

FLAME PROOF MINI CAMERA



### Mechanical Data

Material	: Cast Aluminium
Weight	: 2.7 Kg (Approx.)
IP Protection	: IP 65 as per IS:13947(PART1)-1993 IS:12063-1987 / IEC 60529 / 1987
Finish	: Anti Corrosive Epoxy - Powder coated
Cable Entry	: 2* 0.75"ET/0.5"BSP/NPT/M20
Gasket	: Neoprene
Hardware	: Stainless Steel
Temp. Class	: T6 at max. temp. 30 deg cel.
Terminals	: 6 nos. bakelite/PP/Nylon terminals

### Electrical Data

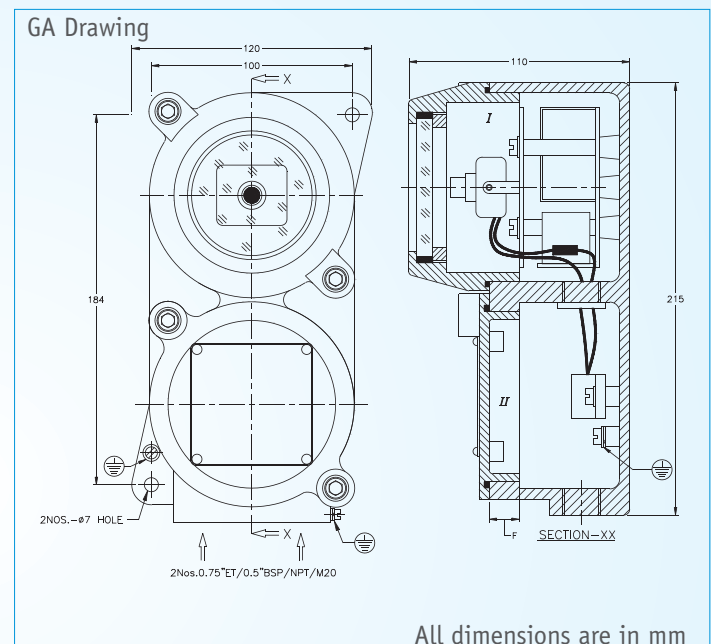
Element	: 1/4" , 1/3" CCD camera with 16 /25 /50 / 75mm lens CCD B/W Image sensor (Std.)
Resolution	: 330 TV Lines per Frame
Min. Illumination	: 1 Lux
S/N Ratio	: >20 dB
Supply	: 230 V AC / 12 V DC
Power Rating	: Up to 5 Watts
Lens	: 3.6 mm Auto IRIS

Refer the above note for customized Camera.

### Description

Flame proof Camera with a indirect entry design terminal chamber. The main chamber houses a mini camera with accessories such as Lens, Variable Voltage adaptors etc., A Sun shield is provided on top to deflect direct heat. A toughened clear glass protects the camera front. Two cable entries are provided one each for video and power and power connections and are internally shielded to reduce interference.

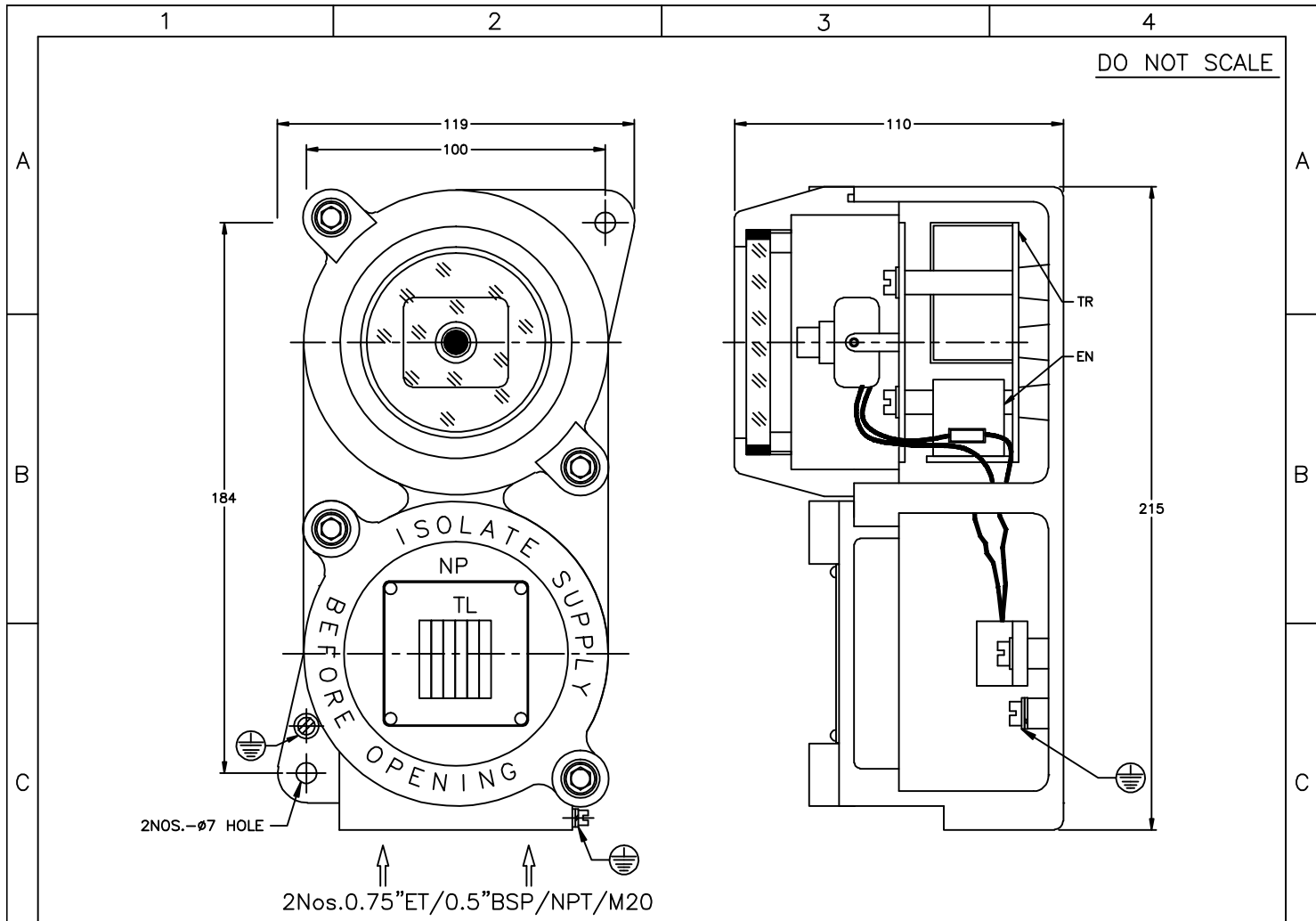
Note: The camera type, make, design can be of customer choice and is mounted on a adjustable chassis for ease of operations



Type of protection	Flame Proof - Exd T6 IP 65
Area Classification	Zone 1 & 2
Gas Groups	Group II A, II B
Apparatus Standard	IS-2148:2004(IEC 60079-1/2001)
CIMFR Certificate No.	CIMFR/TC/SR/H1186
Approvals	CCE, BIS

### Salient Features

- 1 This serves as a low cost compact unit for localised viewing of process or activity and compliments the main Exd CCTV camera, EXC 9000.
- 2 A colour camera can be provided on specific request.



**NOTES:-**

- TL - 6Nos. 2.5sq.mm TERMINALS - ELMEX MAKE
- TR - TRANSFORMER (12/24V DC)
- EN - ENCAPSULATED PCB
- CCD CAMERA - 1/4", 1/3" WITH 16/25/50/75MM LENS
- NP - NAME & WARNING PLATE (SS)
- EARTHING - 2Nos. EXTERNAL & 1No. INTERNAL
- HARDWARES - SS304
- GASKET - NEOPRENE

INTERNAL DIMENSION : 260x160x125mm  
 ALL DIMENSIONS ARE IN MM.

	CUSTOMER :	TITLE : EXPLOSIONPROOF MINI CAMERA				
	CLIENT:	CAT No : EXC-9001				
	PROJECT :	CLASSIFICATION : Exd IIA, IIB IP65 ZONE 1&2 T6				
	P.O. No. :	WT.:2.5 Kgs (APPROX.)	MATL.: AL LM6	ITEM No.: QTY.:		
	FINISH : EPOXY POWDER COATED LIGHT GREY (SHADE-631) OF IS:5	TOLERANCE : ±5mm SCALE N.T.S		FOR APPROVAL		
CMRI : CMRI/TC/P/H285, DT. 09.04.2002	IS:13346/04 (IEC:60079-0/00)	NAME	DATE			
CCE : A/P/HQ/MH/104/998 DT. 26.05.2005	IS:2148/04 (IEC:60079-1/01)	REV-1				
BIS : CM/L-0364341	IS:12063/87 (IEC:60529/89)	REV-2		SHEET 1 OF 1		
<b>Baliga Lighting Equipments Private Limited,</b> KOVILAMBAKKAM, CHENNAI-600 117, INDIA.		DRN.	S.S	19.05.09	DRG. NO. CE08104401	REV 0
		CHKD.	SS	19.05.09		
		APPD.				

# केन्द्रीय खनन एवं ईंधन अनुसंधान संस्थान

(वैज्ञानिक तथा औद्योगिक अनुसंधान परिषद)

बरवा रोड, धनबाद - 826 001, झारखण्ड, भारत



**ADDITIONAL FIRST COPY**

## Central Institute of Mining and Fuel Research

Formerly : Central Mining Research Institute  
(Council of Scientific & Industrial Research)  
BARWA ROAD, DHANBAD-826 001, JHARKHAND, INDIA

### REGISTERED POST/COURIER SERVICE

No. CIMFR/TC/SR/H1186  
I.D. No. 964/07

Dated: 26<sup>th</sup> March, 2008  
CODE NO. FLP/204E/08

To,  
**M/s. BALIGA LIGHTING EQUIPMENTS PRIVATE LIMITED,**  
389, Medavakkam Road,  
Kovilambakkam,  
**CHENNAI-600 117, India**

**Sub:** Supplementary Testing for **REVALIDATION** as per IS: 2148- 2004 (IEC 60079-1/2001) of your **Flameproof-cum-Weatherproof Mini Camera**, designated by **Cat. No. EXC-9001** for application in Gas Groups: IIA & IIB atmospheres only.

**- Report on (REVALIDATION)**

**Your Ref. No. CMRI/6/277/IIB-2**

**dated: 21/12/2007**

Dear Sir,

Please find enclosed the **Supplementary Test Report** for **REVALIDATION** of the above sample as per IS: 2148-2004.

The above apparatus was earlier certified as per IS: 2148-1981 vide then CMRI Certificate No. CMRI/TC/P/H285, dated: 09.04.2002 mentioned in the schedule of this report.

Charges of **Rs. 9,259/- (Rupees Nine thousand two hundred fifty nine)** only including applicable service charges involved towards the testing/issuing the schedule have been adjusted against the advance deposit made by you.

Kindly arrange to collect the sample within 90 days from the date of receipt of this letter failing which CIMFR would dispose off the sample by public auction without any further NOTICE to you.

Kindly acknowledge receipt.

Thanking you,

Yours faithfully,

  
**(G. M. PRASAD)**

**HEAD OF THE DEPARTMENT  
TESTING CELL**

Encl.: As above  
Supplementary Report for Revalidation in Triplicate  
Copy to: 1. Head, Flame & Explosion Lab.  
2. Bill Section.

1 of 5

फोन-निदेशक Director  
Ph.: 0091-326-2202326/2203043

पी० ए० एक्स PAX  
Ph.: 0091-326-2203010/2203070/2203090/2205045/2209041

फैक्स FAX  
0091-326-2201442/2202429/2204339/2203156

e-mail : dcmrips@yahoo.co.in, dcmri@csir.res.in • Website : www.cmriindia.nic.in

कार्यालय के दिन : सोमवार से शुक्रवार तक Working days : Monday to Friday