

FPHF 117

FLAME PROOF MULTI TONE AUDIO VISUAL ALARM



Mechanical Data

Material	: Cast Aluminium LM 6
Weight	: 9 Kg (approx.)
IP Protection	: IP 65 to IS 13947 / 93
Finish	: Anti corrosive Epoxy - Powder Coated Red (RAL -3000)
Cable Entry	: 2 * 0.5 " / 0.75" / 1.0 " BSC OR BSP OR NPT OR 2* M25/M20 OR or equivalent
Gasket	: Neoprene
Hardware	: Stainless Steel
Terminals	: 4 x 2.5 sq. Mm (standard) 6 x 2.5 sq. Mm (for looping)

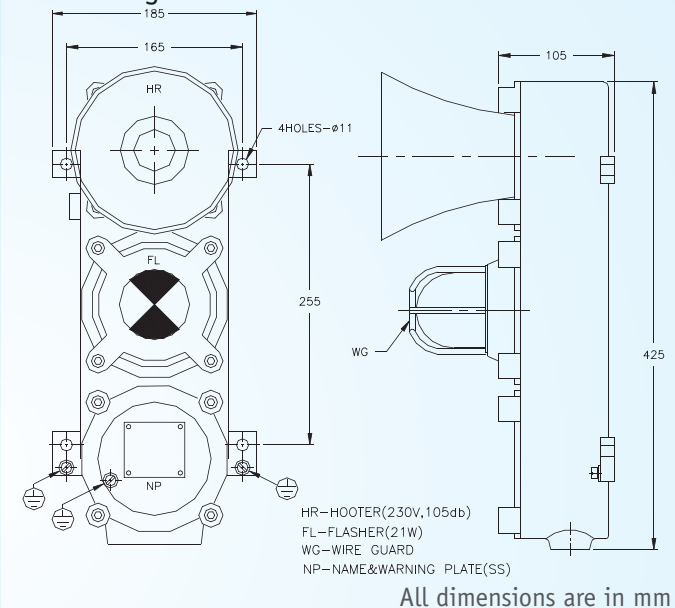
Electrical Data

Voltage	: 24 V DC or 110 V / 230 V AC - 50 Hz
Maximum	: 500 mA at 24 V - 36 Watts,
Power consumption	: 300 mA at 230 V - 69 Watts,
With filament lamp	: 650 mA at 110 V - 71.5 Watts
Sound Output	: 112 dB (maximum)
Lamp	: Xenon / LED cluster / Filament type
Filament type	: 11 Watts (230 V) - 21 W (24 V)
Xenon lamp	: 11.5 Watts (230 V) - 7.2 W (24 V)
LED Cluster	: 4.5 Watts (230 V) - 1 W (24 V)

Description

Explosion proof Multi-tone Audio Visual Alarm with integral terminal chamber. Main chamber housing intrinsically safe out put electronic circuit, duly encapsulated. The sounder unit and lamp unit either LED cluster or Xenon lamp are interconnected. The unit is duly wired up to the terminals in the terminal chamber with entries for wiring through FLP cable glands. The covers are provided with neoprene 'O' ring for weatherproof protection.(IP-65) Suitable for interfacing with Fire Alarm / Gas Detection Systems.

GA Drawing



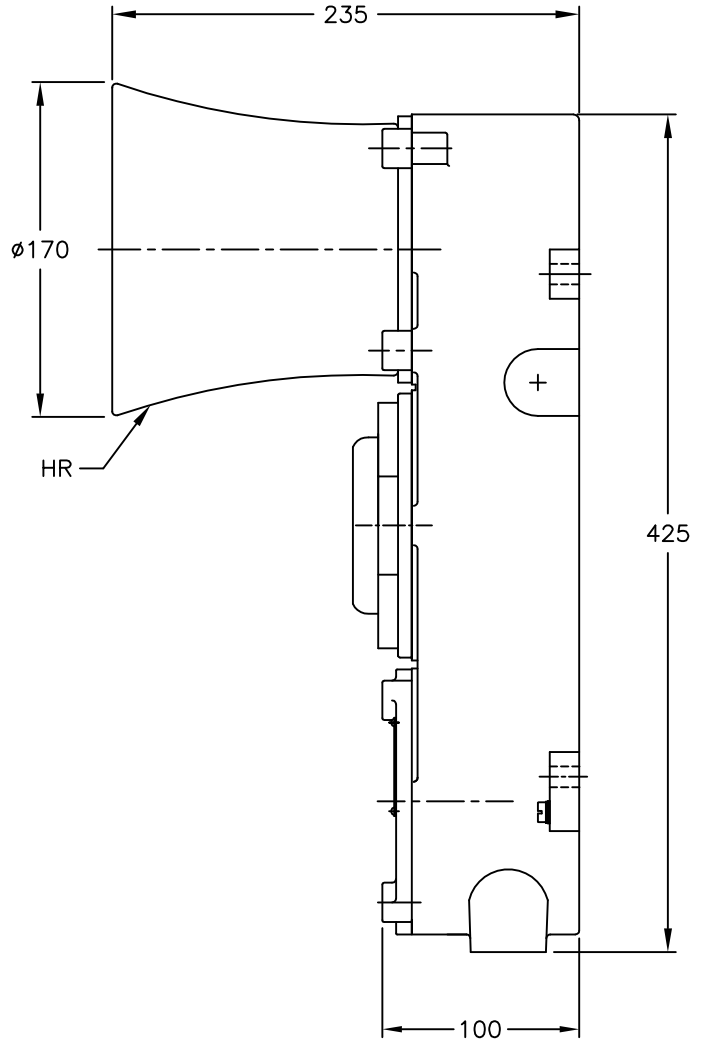
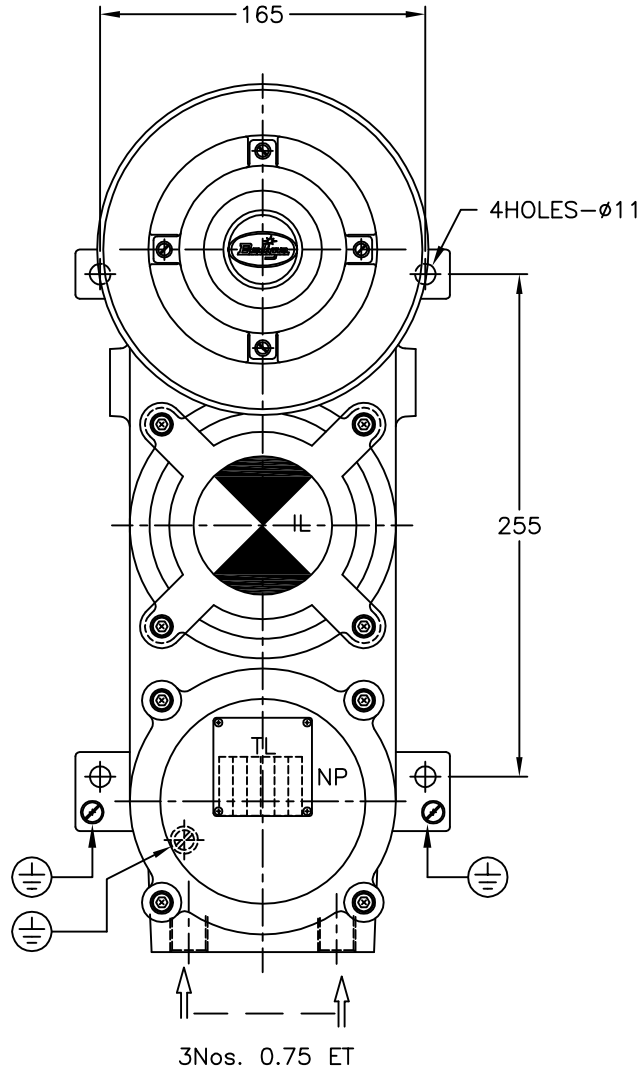
Type of protection	Flame Proof - Exd T6 IP 65
Area Classification	Zone 1 & 2
Gas Groups	Group I, II A ,II B
Apparatus Standard	IS:2148:2004(IEC 60079-1/2001)
CMRI Certificate No.	CIMFR/TC/SR/H355
Approvals	CCE,BIS

Options

- A** Four tone Alarm - FPHF - 117/4T
- B** Two tone Alarm - FPHF - 117/2T
- C** Telephone Alarm - FPHF - 117/TA

IF IN DOUBT ASK

DO NOT SCALE



ALL DIMENSIONS ARE IN MM.

NOTES:
 HR-HOOTER(230V,105db)
 IL - LED TYPE CLUSTER LAMP (RED)
 TL-6Nos. 2.5SQ.MM TERMINALS
 NP-NAME & WARNING PLATE(SS)
 EARTHING -2Nos. EXTERNAL &
 1No. INTERNAL

CUSTOMER :	-	TITLE : EXPLOSIONPROOF CUM INTRINSICALLY SAFE AUDIO VISUAL ALARM			
CONSULTANT :	-	CAT No : FPHF-117			
PROJECT :	-	CLASSIFICATION : Exd IIB IP65 ZONE 1&2			
P.O No. :	-	WT: 5 Kgs. (APPROX.)	MATL.: AL. LM-6	ITEM No.:	QTY.:
FINISH : EPOXY POWDER COATED LIGHT GREY (SHADE-631 OF IS:5)		TOLERANCE : ±5mm		FOR INFORMATION ONLY	
CMRI : CMRI/TC/P/H1187 DT:15.10.01		SCALE N.T.S			
IS:13346/04 (IEC:60079-0/00)		NAME	DATE		
IS:2148/04 (IEC:60079-1/01)		REV-1		SHEET 1 OF 1	
IS:12063/87 (IEC:60529/89)		REV-2		DRG. No.	
Baliga Lighting Equipments Private Limited, KOVILAMBAKKAM, CHENNAI-600117, INDIA.		DRN.	S.S	13.03.09	REV
		CHKD.			QEFPH11701
		APPD.			0



Baliga Lighting Equipments Private Limited,
KOVILAMBAKKAM, CHENNAI-600117, INDIA.

SHEET 1 OF 1
 DRG. No. QEFPH11701
 REV 0

केन्द्रीय खनन एवं ईंधन अनुसंधान संस्थान

(वैज्ञानिक तथा औद्योगिक अनुसंधान परिषद)
बरवा रोड, धनबाद - 826015, झारखण्ड (भारत)



ADDITIONAL FIRST COPY

CENTRAL INSTITUTE OF MINING AND FUEL RESEARCH

Formerly : Central Mining Research Institute
(COUNCIL OF SCIENTIFIC & INDUSTRIAL RESEARCH)
BARWA ROAD, DHANBAD - 826015, JHARKHAND (INDIA)

REGISTERED POST/COURIER SERVICE

No. CIMFR/TC/SR/H/355
I.D. No. 952/07

Dated: 05/07 July, 2008
CODE NO. FLP/204S/08

To
M/S. BALIGA LIGHTING EQUIPMENTS PVT. LTD.,
389, MEDAVAKKAM ROAD, KOVILAMBAKKAM,
CHENNAI-600 117

Sub: Supplementary Testing for **REVALIDATION** as per IS: 2148-2004 (IEC 60079-1/2001) of your **Flameproof cum Weatherproof (IP-65) Multitone Audio Visual Alarm, designated by Cat. No. FPHF-117** in cast aluminium alloy LM-6 construction for use in Zone 1 & 2 and Gas Groups: IIA & IIB atmosphere only.

- Report on (REVALIDATION)

Your Ref. Appl. No.: CMRI/6/274/IIB

Dated: 21/12/2007

Dear Sir,

Please find enclosed the **Supplementary Test Report** for **REVALIDATION** of the above sample as per IS: 2148-2004.

The above apparatus was earlier certified as per IS: 2148-1981 vide CMRI Test Report No. CMRI/TC/P/H1187, Dated: 15/10/2001.

Charges of **Rs. 14,754/- (Rupees Fourteen thousand Seven hundred Fifty Four only)** including applicable service charges involved towards the testing/issuing the schedule have been adjusted against the advance deposit made by you.

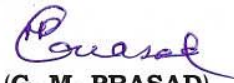
Kindly arrange to collect the sample within 90 days from the date of receipt of this letter failing which CIMFR would dispose off the sample by public auction without any further NOTICE to you.

Kindly acknowledge receipt.

Thanking you,

Yours faithfully,

Encl.: As above
Suppl. Report for Revalidation in Triplicate
Copy to: 1. Head, Flame & Explosion Lab.
2. Bill Section.


(G. M. PRASAD)
HEAD OF THE DEPARTMENT
TESTING CELL