

## FPH 115

FLAME PROOF HOOTER



### Mechanical Data

Material	: Cast Aluminium LM 6
Weight	: 5 Kg (approx.)
IP Protection	: IP 65 as per IS 13947 / 93(IEC 60529 / 1989)
Finish	: Anti corrosive Epoxy - Powder Coated
Cable Entry	: 2 x 3/4" ET
Gasket	: Neoprene
Hardware	:Stainless Steel
Terminals	: 4 x 2.5 sq. mm (standard) : 6 x 2.5 sq. Mm (for looping)

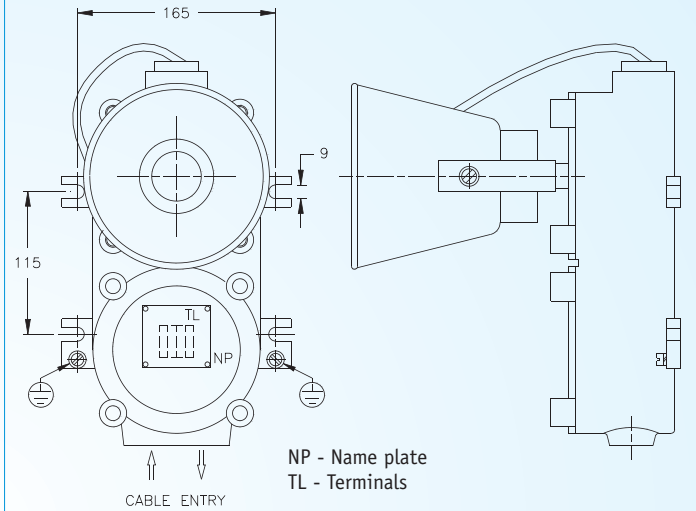
### Electrical Data

Voltage	: 24 V DC or 110 V / 230 V AC - 50 Hz
Out put Current	: 600 mA Peak. Galvanically Isolated
Power rating	: 18 Watts
Sound Output	: 106 db 900 Hz On & OFF alternatively at 1C/S
Earthing	: External : 2 Nos. - M6 Internal : 1 No. - M5

### Description

Explosion proof cum Intrinsically safe hooter. In the main chamber Intrinsically safe circuit is housed and it is duly wired up to terminal chamber through sealed bushes. The horn unit is placed on the main chamber cover and the output signals are taken through sealed coils. Neoprene 'O' rings are provided for the weather proof protection.

#### GA Drawing



NP - Name plate  
TL - Terminals

All dimensions are in mm

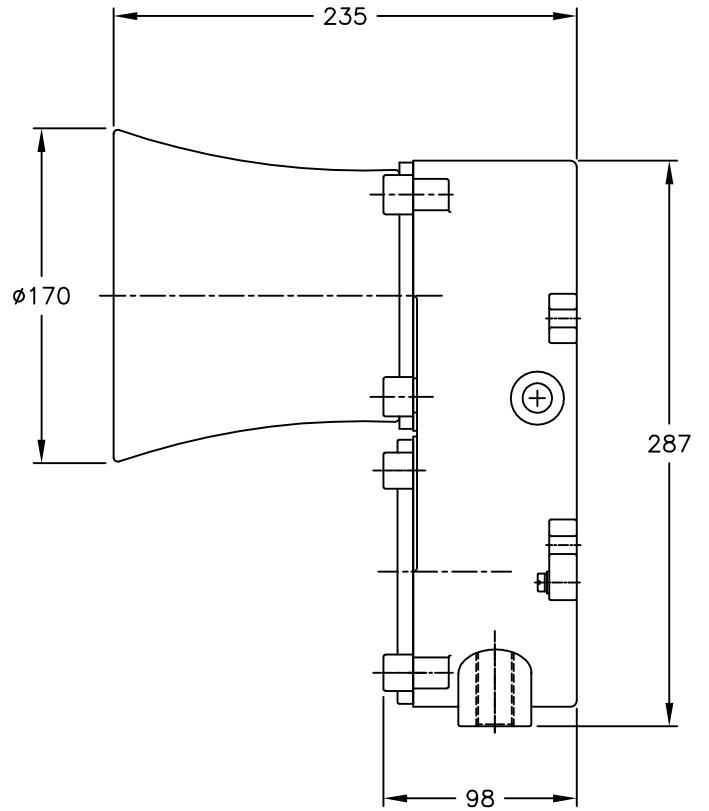
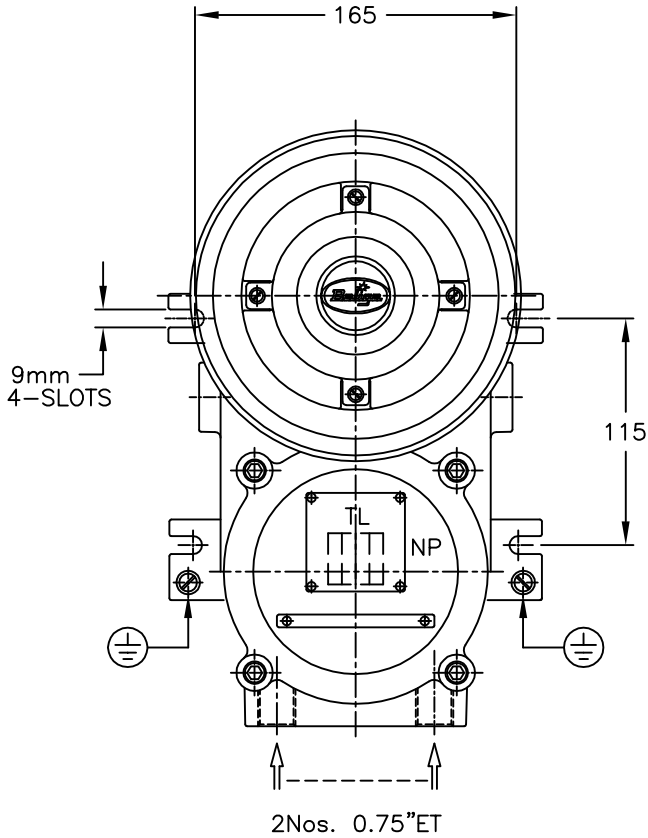
Type of protection	Flame Proof - Exd T6 IP 65
Area Classification	Zone 1 & 2
Gas groups	Group I, II A, II B, II C
Apparatus Standard	IS - 2148/2004( IEC 60079-1/2001)
CMRI Certificate No.	CMRI / TC / S / H388
Approvals	CCE,BIS

### Salient Features

- A** Output is galvanically isolated

IF IN DOUBT ASK


DO NOT SCALE



**NOTES:**

- TL -4Nos. 2.5SQ.MM TERMINALS- ELMEX MAKE
- HORN -106db (APPROX) -18W
- INPUT -24VAC/110VAC/240VAC/24VDC/230VDC
- INTRINSICALLY SAFE CIRCUIT.
- NP -NAME & WARNING PLATE(SS)
- EARTHING -2Nos. EXTERNAL & 1No. INTERNAL
- HARDWARE -SS304

ALL DIMENSIONS ARE IN MM.

CUSTOMER :	-	TITLE :				EXPLOSIONPROOF HOOTER	
CONSULTANT :	-	CAT No :				FPH-115	
PROJECT :	-	CLASSIFICATION :				Exd IIC IP66 ZONE 1&2	
P.O No. :	-	WT: 5 Kgs. (APPROX.)	MATL.: AL.LM-6	ITEM No.:	-	QTY.:	-
FINISH : EPOXY POWDER COATED LIGHT GREY (SHADE-631 OF IS:5)		TOLERANCE : ±5mm		FOR INFORMATION ONLY			
		SCALE N.T.S					
ERTL : ERTL(E)/TES/B142/0024/03-08 DT. 28.03.2008. IS:13346/04 (IEC:60079-0/00)		NAME	DATE				
CCE : P222235/2 30.12.2008	IS:2148/04 (IEC:60079-1/01)	REV-1		SHEET 1 OF 1			
BIS : CM/L-0364371	IS:12063/87 (IEC:60529/89)	REV-2		DRG. No.			
 <b>Baliga Lighting Equipments Private Limited,</b> KOVILAMBAKKAM, CHENNAI-600117, INDIA.		DRN.	S.S	14.03.09	QEFPH11501		REV
		CHKD.					0
		APPD.					

# केन्द्रीय खनन एवं ईंधन अनुसंधान संस्थान

(वैज्ञानिक तथा औद्योगिक अनुसंधान परिषद)  
बरवा रोड, धनबाद - 826015, झारखण्ड (भारत)



**ADDITIONAL FIRST COPY**

## CENTRAL INSTITUTE OF MINING AND FUEL RESEARCH

Formerly : Central Mining Research Institute  
(COUNCIL OF SCIENTIFIC & INDUSTRIAL RESEARCH)  
BARWA ROAD, DHANBAD - 826015, JHARKHAND (INDIA)

### REGISTERED POST/COURIER SERVICE

No. CIMFR/TC/SR/H/355  
I.D. No. 952/07

Dated: 05/07 July, 2008  
CODE NO. FLP/204S/08

To  
**M/S. BALIGA LIGHTING EQUIPMENTS PVT. LTD.,**  
389, MEDAVAKKAM ROAD, KOVILAMBAKKAM,  
**CHENNAI-600 117**

**Sub:** Supplementary Testing for **REVALIDATION** as per IS: 2148-2004 (IEC 60079-1/2001) of your **Flameproof cum Weatherproof (IP-65) Multitone Audio Visual Alarm, designated by Cat. No. FPHF-117** in cast aluminium alloy LM-6 construction for use in Zone 1 & 2 and Gas Groups: IIA & IIB atmosphere only.

**- Report on (REVALIDATION)**

**Your Ref. Appl. No.: CMRI/6/274/IIB**

**Dated: 21/12/2007**

Dear Sir,

Please find enclosed the **Supplementary Test Report** for **REVALIDATION** of the above sample as per IS: 2148-2004.

The above apparatus was earlier certified as per IS: 2148-1981 vide CMRI Test Report No. CMRI/TC/P/H1187, Dated: 15/10/2001.

Charges of **Rs. 14,754/- (Rupees Fourteen thousand Seven hundred Fifty Four only)** including applicable service charges involved towards the testing/issuing the schedule have been adjusted against the advance deposit made by you.

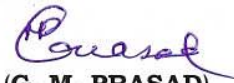
Kindly arrange to collect the sample within 90 days from the date of receipt of this letter failing which CIMFR would dispose off the sample by public auction without any further NOTICE to you.

Kindly acknowledge receipt.

Thanking you,

Yours faithfully,

Encl.: As above  
Suppl. Report for Revalidation in Triplicate  
Copy to: 1. Head, Flame & Explosion Lab.  
2. Bill Section.

  
**(G. M. PRASAD)**  
HEAD OF THE DEPARTMENT  
**TESTING CELL**