

IST 3003

FLAME PROOF TELEPHONE WITH STAINLESS STEEL KEY PAD



Mechanical Data

Material	: Cast Aluminium LM 6
Handset	: Metallic / Reinforced FRP / Bakelite
Weight	: 8.6 Kg (Approx.)
IP Protection	: IP 65 as per IS-12063/1987 (IEC 60529/1989)
Finish	: Anti corrosive Epoxy - Powder Coated
Cable Entry	: 1 * 0.5 / 0.75" ET OR 1 * 3/8" NPT / BSP OR 2 * M16 / M20
Gasket	: Neoprene
Hardware	: Stainless Steel
Mounting	: Wall Mounting
Cable Gland	: Exd double compression type, Brass Nickel plated

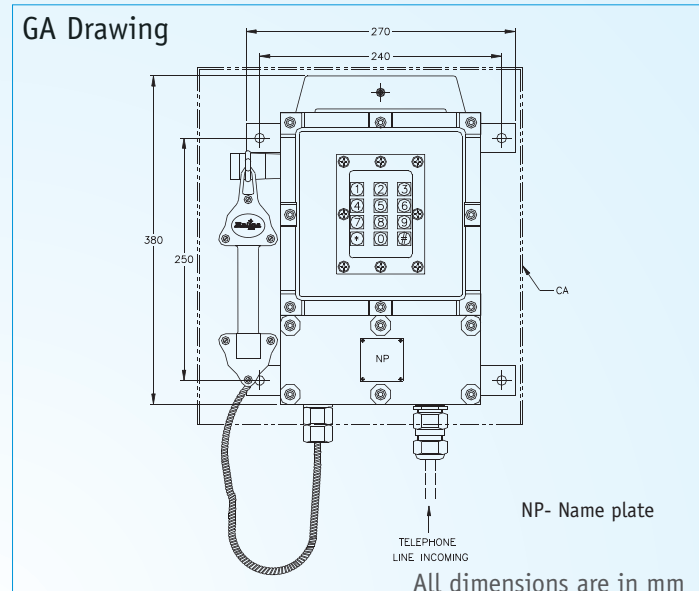
Optional Accessories

- A** A metallic keypad with inbuilt illumination for night operations.
- B** Additionally for use in locations with high ambient noise level areas, the following accessories can be added.
 - 1.FLP Bell
 - 2.FLP Hooter
 - 3.FLP Flasher
- C** The telephone with head set attachment with volume control and selector push button designated as Cat.No. IST - 3006
- D** Heavy duty industrial handset in reinforced FRP material with Aluminium alloy inserts for reduced weight.

Description

Explosion proof Telephone Enclosure contains four chambers (Main, Terminals, Buzzer, & dial). The main and terminal chambers are flame proof while others are intrinsically safe. Gaskets are provided for weatherproof protection. Handset is connected to the intrinsically safe output terminals.

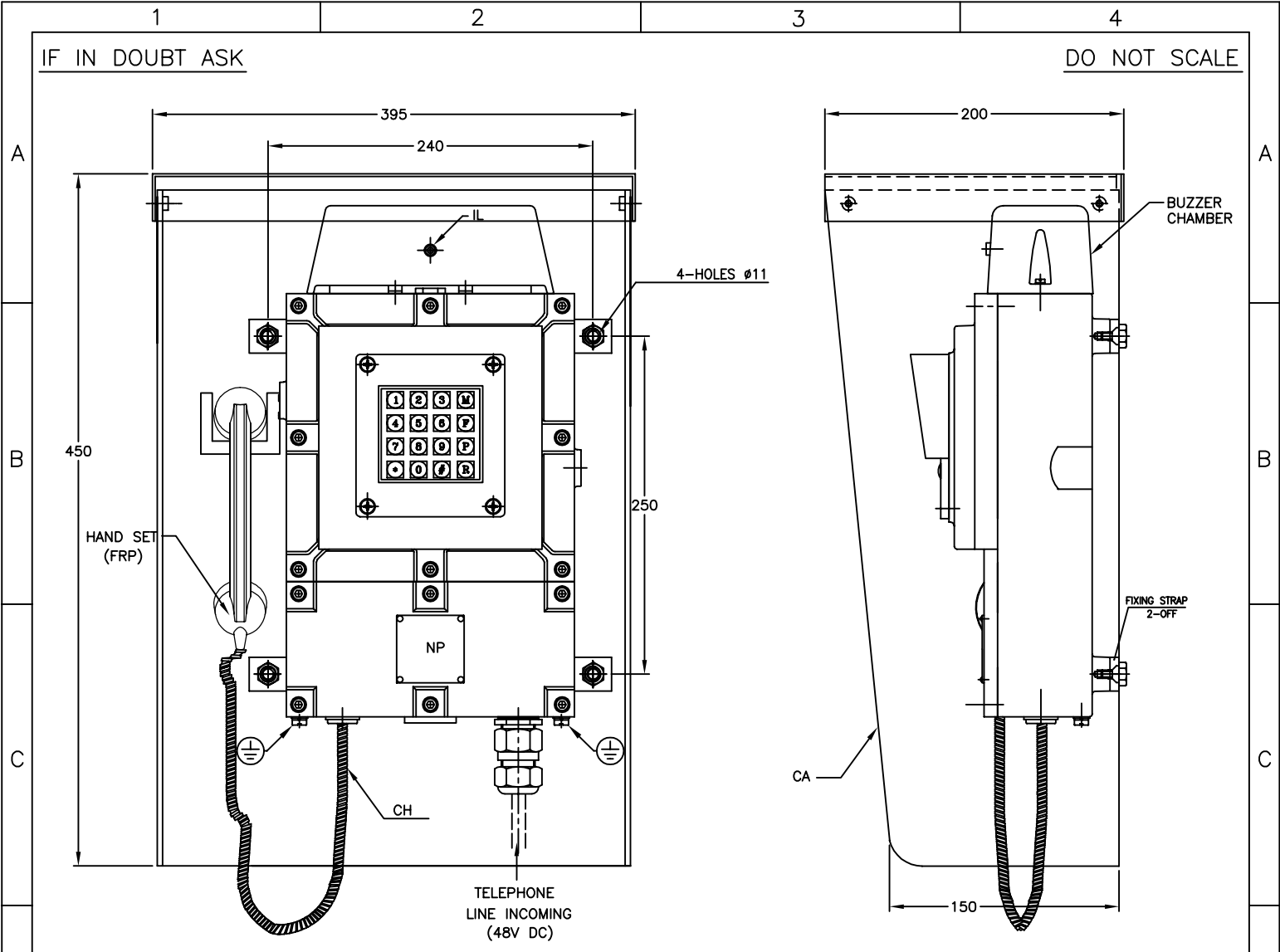
GA Drawing



Type of protection	Flame Proof - Exd
Area Classification	Zone 1 & 2
Gas Groups	Group I, II A ,II B
Apparatus Standard	IS:2148-2004 (IEC 60079-1/2001) , IS 5780
CIMFR Certificate No.	CIMFR/TC/SR/H1169
Approvals	CCE,BIS


Salient Features

- 1** Metallic dial pad for Industrial applications (Optional)
- 2** Heavy duty industrial handset in Bakelite with AL. Alloy incepts for transmitter & receiver.
- 3** An Inbuilt loud ringer(Hooter) with audibility of more than 90 metres .(Optional)
- 4** The circuitry for the handset is intrinsically safe suitable for group II A , II B area.
- 5** Inbuilt LED Indication for incoming calls.
- 6** Sheet steel canopy duly Epoxy powder coated for additional weather proofing protection.
- 7** Stainless Steel corrugated hose for handset wiring.



- NOTES :**
- IL -LED (RED) INDICATION FOR INCOMING CALLS
 - KP - KEY PAD (METALLIC) ELECTONICS PUSH BUTTON DIALER
 - CH- SS CORRUGATED HOSE
 - TL - 4WAY TERMINAL BLOCK
 - NP -NAME & WARNING PLATE(SS)
 - EARTHING - 2Nos. EXTERNAL (M6) & 1No. INTERNAL (M5 - WITH 2.5sq.mm LUG PROVIDED)
 - 2Nos. 10sq.mm LUGS, SUITABLE FOR TERMINATION OF 8 SWG GI WIRE (EXTERNAL) PROVIDED
 - HARDWARE -SS304
 - CA - CANOPY (MS,EPOXY POWDER COATED)

ALL DIMENSIONS ARE IN MM.

E	CABLE ENTRY: 2Nos. 0.75 ET		CUSTOMER :		TITLE : EXPLOSIONPROOF CUM INTRINSICALLY SAFE TELEPHONE			
	Exd. CABLE GLANDS:- 1No. 0.75 ET Br. Ni. PLATED DOUBLE COMPRESSION TYPE CABLE GLANDS Max CABLE OD : 20mm 1No Exd Br. Ni. PLATED PLUG		CONTRACTOR :		CAT No : IST-3003			
F			PROJECT :		CLASSIFICATION : Exd ia IIB IP66 ZONE 1&2 T6			
			P.O No. :		WT: 5 Kgs. (APPROX.)	MATL.: AL.LM-6	ITEM No.:	QTY.:
			FINISH : EPOXY POWDER COATED DARK ADMIRALTY GREY (SHADE-632) OF IS-5		TOLERANCE : ±5mm SCALE N.T.S		FOR APPROVAL	
	CMRI : CMRI/TC/P/H1196 DT:23.09.99		IS:13346/04 (IEC:60079-0/00)		NAME	DATE		
CCE : R1(1)136/BALIGA/12-XVII DT. 30.10.06		IS:2148/04 (IEC:60079-1/01)		REV-1				
BIS : CM/L-0364341		IS:5780/02 (IEC:60079-11/99)		REV-2			SHEET 1 OF 1	
 Baliga Lighting Equipments Private Limited, KOVILAMBAKKAM, CHENNAI-600117, INDIA.				DRN.	S.S	19.03.09	DRG. No.	REV
				CHKD.			QE30030001	0
				APPD.				

केन्द्रीय खनन एवं ईंधन अनुसंधान संस्थान

(वैज्ञानिक तथा औद्योगिक अनुसंधान परिषद)
बरवा रोड, धनबाद - 826 001, झारखण्ड, भारत



ADDITIONAL FIRST COPY

Central Institute of Mining and Fuel Research

Formerly : Central Mining Research Institute
(Council of Scientific & Industrial Research)
BARWA ROAD, DHANBAD-826 001, JHARKHAND, INDIA

REGISTERED POST/COURIER SERVICE

No. CIMFR/TC/SR/ *H1169*
I.D. No. 944/07

Dated: *25th* March, 2008
CODE NO. FLP/204ZI/08

To
M/s. BALIGA LIGHTING EQUIPMENTS PRIVATE LIMITED,
389, Medavakkam Road,
Kovilambakkam,
CHENNAI-600 117 (India).

Sub: Supplementary Testing for **REVALIDATION** as per IS: 2148-2004 (IEC 60079-1/2001) of your enclosure for **Flameproof cum Weatherproof/ Intrinsically Safe Telephone** in cast aluminium alloy LM-6 construction, Cat. No.: **IST-3003** for use in Zone 1 & 2, Gas Group IIA & IIB and atmosphere only.

- Report on (REVALIDATION)

Your Ref. No. CMRI/6/259/IIB

dated: 21/12/2007

Dear Sir,

Please find enclosed the **Supplementary Test Report** for **REVALIDATION** of the above sample as per IS: 2148-2004.

The above apparatus was earlier certified as per IS: 2148-1981 vide CMRI certificate no. CMRI/TC/P/H1196, dated 23/09/1999.

Charges of **Rs. ~~10,158/-~~ ^{8,584/-} (Rupees ~~Ten thousand One hundred Fifty eight~~ ^{Eight Five} ~~only~~ ^{Eighty four})** including applicable service charges involved towards the testing/issuing the schedule have been adjusted against the advance deposit made by you.

Kindly arrange to collect the sample within 90 days from the date of receipt of this letter failing which CIMFR would dispose off the sample by public auction without any further NOTICE to you.

Kindly acknowledge receipt.

Thanking you,

Yours faithfully,

(G. M. PRASAD)
HEAD OF THE DEPARTMENT
TESTING CELL

Encl.: As above
Supplementary Report for Revalidation in Triplicate
Copy to: 1. Head, Flame & Explosion Lab.
2. Bill Section.

Page 1 of 6

फोन-निदेशक Director
Ph.: 0091-326-2202326/2203043

पी० ए० एक्स PAX
Ph.: 0091-326-2203010/2203070/2203090/2205045/2209041

फैक्स FAX
0091-326-2201442/2202429/2204339/2203156

e-mail : dcmrips@yahoo.co.in, dcmri@csir.res.in • Website : www.cmriindia.nic.in

कार्यालय के दिन : सोमवार से शुक्रवार तक Working days : Monday to Friday