

FLPW 1590

FLAME PROOF BULK HEAD LUMINAIRE



Mechanical Data

Material	: Aluminium LM6
Weight	: 6.0 Kg
IP Protection	: IP 65 as per IS-12063/1987 (IEC 60529/1989)
Finish	: Anti corrosive Epoxy powder coated
Cable Entry	: 2 x (0.75" ET / 0.5" NPT / BSP / M20)
Glass	: Toughened flat glass
Wireguard	: 5 mm Welded Steel / MS Construction
Mounting	: Direct mounting onto the ceiling
Gasket	: Neoprene
Hardware	: Stainless Steel (SS-304)

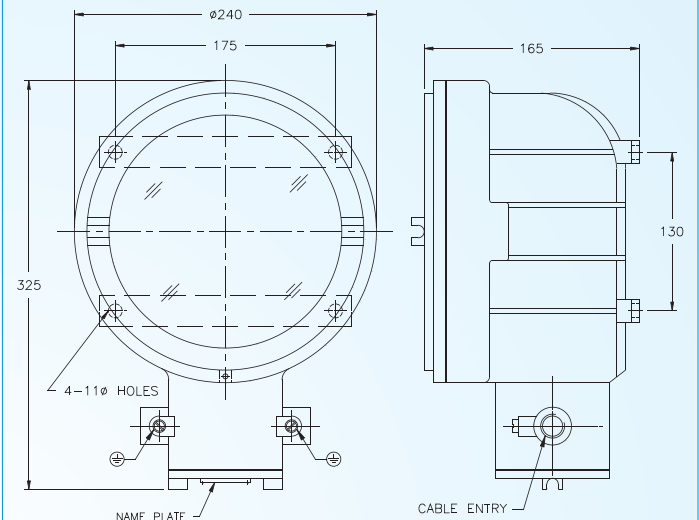
Electrical Data

Voltage	V : 230 V AC , 50 Hz
Lamp Holder	: Porcelain ES Cap - E27
Wiring	: Fibreglass class F insulated 1.5 sq.mm Stranded copper
Max. Cable size	: 3C x 4 sq.mm
Int. Terminations	: 4 sq.mm crimping lugs
Insulators	: Glass fibre reinforced DMC
Earthing	: External 2 Nos - M6 Internal 1 No - M5

Description

Explosion proof well glass bulk head fitting with an integral terminal chamber. A toughened clear round flat glass which is cemented into a retaining ring is screwed on to the main body. The lamp holder is mounted on the main body and connected to the terminal chamber through insulating bushes.

GA Drawing



All dimensions are in mm

Type of protection	Flame Proof - Exd
Area Classification	Zone 1 & 2
Gas Groups	Group I, II A ,II B & II C
Apparatus Standard	IS-2148:2004(IEC 60079-1/2001) IS- 2206 Part II
CIMFR Certificate No.	CIMFR/TC/SR/H1218
Approvals	CCE,BIS

LAMP RATING	TEMP. CLASS.
200W GLS	T3
125W HPMV	T4
80 W HPMV	T5
26W CFL	T6
36W LED	T6

IF IN DOUBT ASK

DO NOT SCALE

A

B

C

D

E

F

A

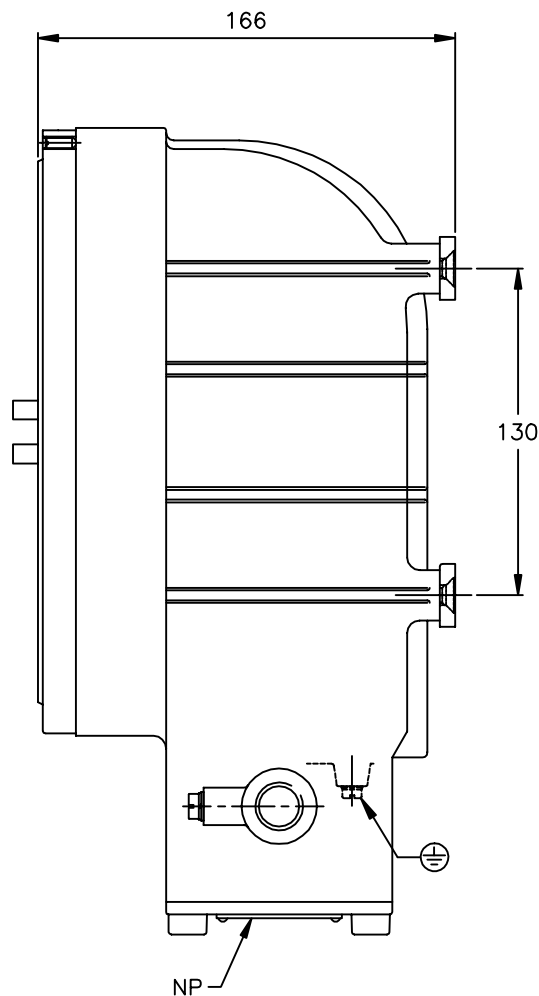
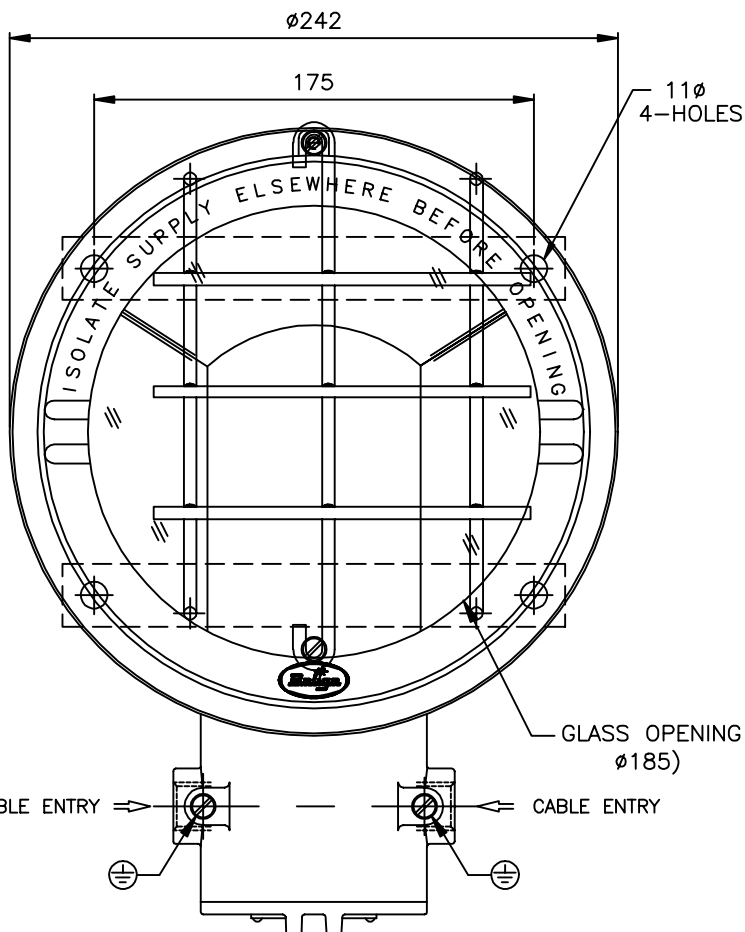
B

C

D

E

F



NOTES:

- GLASS - TOUGHENED CLEAR FLAT GLASS
- LAMPHOLDER - ES PORCELAIN
- LAMP TO SUIT - REFER TABLE
- NP - NAME & WARNING PLATE (SS)
- HARDWARES - SS304
- EARTHING - 2Nos. EXTERNAL & 1No. INTERNAL
- WG - WIRE GUARD (M.S, EPOXY POWDER COATED - WHITE COLOUR)

LAMP TO SUIT	TEMP CLASS
200W GLS -250V/110V AC/DC	T3
125W HPMV - 250V/110V AC/DC	T4
80W HPMV - 250V/110V AC/DC	T5
26W CFL - 250V/110V AC/DC	T6
36W LED - 250V/110V AC/DC	T6

ALL DIMENSIONS ARE IN MM.

CABLE ENTRY: 2Nos. 0.75 ET	CUSTOMER :	-	TITLE: EXPLOSIONPROOF BULK HEAD LUMINAIRE			
	CONSULTANT :	-	CAT NO : FLPW-1590			
	PROJECT :	-	CLASSIFICATION: Exd IIC IP65 ZONE 1&2			
	P.O No. :	-	WT:6 Kgs (APPROX)	MATL: AL. LM6	ITEM No: -	QTY: -
	FINISH : EPOXY POWDER COATED LIGHT GREY (SHADE-631 OF IS:5)	TOLERANCE : ±5mm		FOR INFORMATION ONLY		
CMRI : CMRI/TC/P/H1230 DT.30.10.2001	IS:13346/04 (IEC:60079-0/00)	SCALE: N.T.S	NAME	DATE	SHEET 1 OF 1	
CCE : A/P/HQ/MH/104/752 DT.30.06.04	IS:2148/04 (IEC:60079-1/01)	REV-1				
BIS : CM/L 0364341	IS:12063/87 (IEC:60529/89)	REV-2				
Baliga Lighting Equipments Limited KOVILAMBAKKAM, CHENNAI-600117, INDIA.		DRN.	S.S	18.03.09	DRG. NO.	REV
		CHKD.			QE15900001	0
		APPD.				

1

2

3

4

केन्द्रीय खनन एवं ईंधन अनुसंधान संस्थान

(वैज्ञानिक तथा औद्योगिक अनुसंधान परिषद)
बरवा रोड, धनबाद - 826 001, झारखण्ड, भारत



ADDITIONAL FIRST COPY

Central Institute of Mining and Fuel Research

Formerly : Central Mining Research Institute
(Council of Scientific & Industrial Research)
BARWA ROAD, DHANBAD-826 001, JHARKHAND, INDIA

REGISTERED POST/COURIER SERVICE

No. CIMFR/TC/SR/H1218
I.D. No. 951/07

Dated: 31st March, 2008
CODE NO. FLP/204 P/08

To
M/S. BALIGA LIGHTING EQUIPMENTS PVT. LTD.,
389, MEDAVAKKAM ROAD,
KOVILAMBAKKAM,
CHENNAI-600 117

Sub: Supplementary Testing for **REVALIDATION** as per IS: 2148-2004 (IEC 60079-1/2001) of your enclosure for **Flameproof/Weatherproof (IP-65) Bulkhead Fitting**, designated by **Cat. No.: FLPW-1590** suitable for 100/200W GLS & 125W HPMV Lamps, for use in Zone 1 & 2 and Gas Group: IIC atmosphere only.

- Report on (REVALIDATION)

Your Ref. Appl. No.: CMRI/6/255/IIC Dated: 03/12/2007

Dear Sir,

Please find enclosed the **Supplementary Test Report** for **REVALIDATION** of the above sample as per IS: 2148-2004.

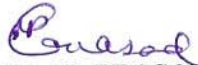
The above apparatus was earlier certified as per IS: 2148-1981 vide CMRI Test Report No. CMRI/TC/P/H1230 Dated: 30/10/2001.

Charges of **Rs. 19, 933/- (Rupees Nineteen thousand Nine hundred Thirty Three only)** including contingency involved towards the testing/issuing the schedule have been adjusted against the advance deposit made by you.

Kindly arrange to collect the sample within 90 days from the date of receipt of this letter failing which CIMFR would dispose off the samples by public auction without any further NOTICE to you.

Kindly acknowledge receipt.
Thanking you,

Yours faithfully,


(G. M. PRASAD)

HEAD OF THE DEPARTMENT
TESTING CELL

Encl.: As above
Suppl. Report for Revalidation in Triplicate
Copy to: 1. Head, Flame & Explosion Lab.
2. Bill Section.

Page 1 of 6

फोन-निदेशक Director
Ph.: 0091-326-2202326/2203043

पी० ए० एक्स PAX
Ph.: 0091-326-2203010/2203070/2203090/2205045/2209041

फैक्स FAX
0091-326-2201442/2202429/2204339/2203156

e-mail : dcmrips@yahoo.co.in, dcmri@csir.res.in • Website : www.cmriindia.nic.in

कार्यालय के दिन : सोमवार से शुक्रवार तक Working days : Monday to Friday