

FPJ 320 Series

FLAMEPROOF LIGHTING JUNCTION BOX.

Internal Dim: 122mm Dia x 64mm depth



Mechanical Data

- Material : Aluminium LM6
- Weight : 1.9 Kg
- IP Protection : IP 65 as per IS 139747(part 1)-1993/IEC 60529/ 1989
- Finish : Anti corrosive Epoxy powder coated
- Cable Entry : Refer Chart Below
- Cover Fixing : Threaded
- Gasket : Neoprene
- Hardware : Stainless Steel (SS-304)

Electrical Data

- Terminals : max. permissible: 6 nos. 4 sq.mm
- Earthing : External : 2 Nos - M6
Internal : 1 No - M5

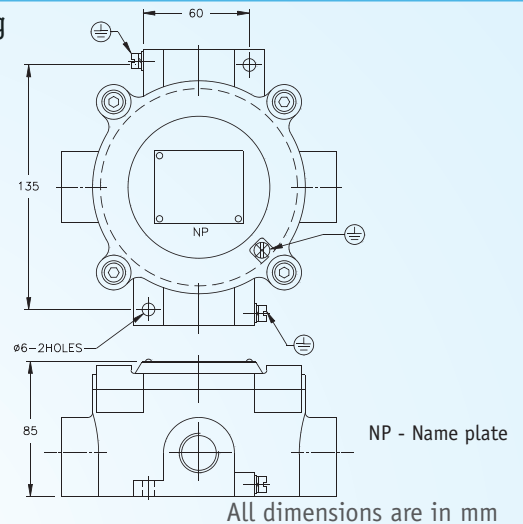
Cable Entry Chart

Entry Size (Inches)		
BSC	NPT / BSP	Metric (mm)
0.50	0.25	M 16 X 1.5
0.75	0.50	M 20 X 1.5
1.00	0.75	M 25 X 1.5

Description

Explosion proof lighting junction boxes are available in three series with spigotted covers. A maximum of 4 entries can be provided in each type of circuit branching. Four way terminal block is provided for termination of the conductors while the covers are provided with high quality gaskets for weather proof protection.

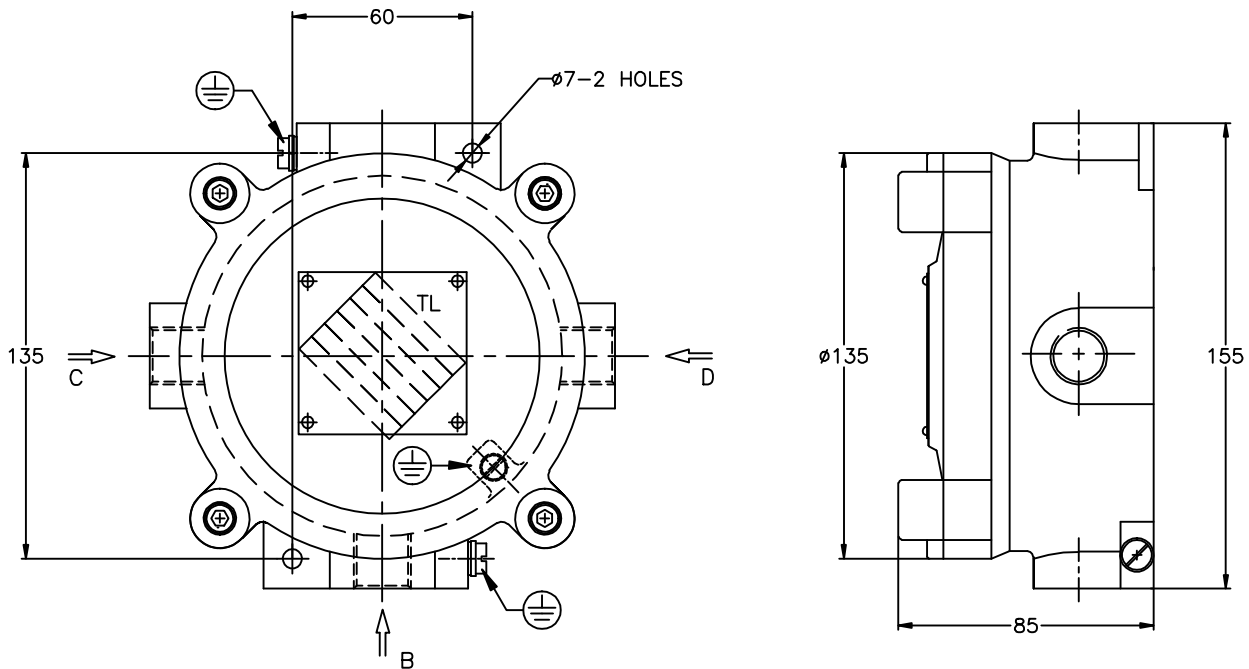
GA Drawing



Type of protection	Flame Proof - Exd
Area Classification	Zone 1 & 2
Gas Groups	Group I, II A, II B, IIC
Apparatus Standard	IS-2148:2004(IEC 60079-1/2001)
CMRI Certificate No.	CIMFR/TC/SR/H953
Approvals	CCE, BIS

Cat.No.	Specification
FPJ 322	2 Way - Spigotted Cover
FPJ 323	3 Way - Spigotted Cover
FPJ 324	4 Way - Spigotted Cover

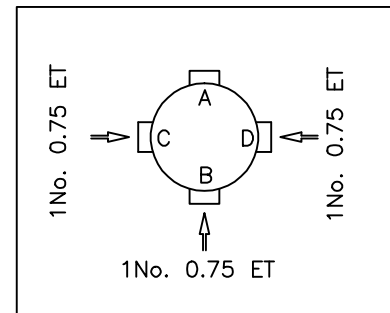
DO NOT SCALE




NOTES:

- TL - 2.5sq.mm CLIPON TYPE TERMINALS
- NP - NAME & WARNING PLATE(SS)
- EARTHING - 2Nos. EXTERNAL & 1No. INTERNAL
- HARDWARE - SS304

ENTRY DIAGRAM



ALL DIMENSIONS ARE IN MM.

E	CUSTOMER :		TITLE : EXPLOSIONPROOF JUNCTION BOX				
	CONSULTANT : -		CAT No. : FPJ-323				
F	PROJECT :		CLASSIFICATION: Exd IIB IP65 ZONE 1&2				
	P.ONo.:		WT: APPROX. 2 KGS.	MATL: AL. LM-6	ITEM No.:	QTY.:	
	FINISH : EPOXY POWDER COATED DARK ADMIRALTY GREY (SHADE-632) OF IS:5		TOLERANCE : ±5mm SCALE N.T.S		FOR APPROVAL		
CMRI : CMRI/TC/P/H396 DT:24.03.99	IS :13346/04 (IEC:60079-0/00)	NAME	DATE				
CCE : R1(1)136/BALIGA/12-XVIII DT:24.12.2004	IS :2148/04(IEC:60079-1/01)	REV-1		SHEET 1 OF 1			
BIS : CM/L-0364341	IS :12063/87 (IEC:60529/89)	REV-2					
F	 Baliga Lighting Equipments Private Limited, KOVILAMBAKKAM, CHENNAI-600 117, INDIA.		DRN.	S.S	08.05.09	DRG. NO.	REV
			CHKD.			QEFPJ32301	0
			APPD.				

केन्द्रीय खनन एवं ईंधन अनुसंधान संस्थान

(वैज्ञानिक एवं औद्योगिक अनुसंधान परिषद्)
बरवा रोड, धनबाद - 826001, झारखण्ड, भारत



ADDITIONAL FIRST COPY

Central Institute of Mining and Fuel Research

Formerly : Central Mining Research Institute,
(Council of Scientific & Industrial Research)
BARWA, ROAD, DHANBAD 826001 JHARKHAND, INDIA

REGISTERED POST/COURIER SERVICE

No. CIMFR/TC/SR/ 11953
I.D. No. 991/07

Dated: 18/7 February, 2008
CODE NO. FLP/221F/08

To
M/S. Baliga Lighting Equipments Pvt. Ltd.,
389, Medavakkam Road,
Kovilambakkam,
Chennai-600 117

Sub: Supplementary Testing for **REVALIDATION** as per IS: 2148-2004 (IEC 60079-1/2001) of your enclosure for **Flameproof cum Weatherproof 4-Way Junction Box**, in cast aluminium alloy LM-6 construction, rated upto 16A, 230 volts designated by **Cat. No.: FPJ-324** for use in Zone 1 & 2 and Gas Group: IIC atmosphere only.

- Report on (REVALIDATION)

Your Ref. a) Appl. No.: **CMRI/6/206/IIC**
b) Letter No.: **CIMFR/6/206/IIC**

Dated: 15/12/2007
Dated: 15/12/2007

Dear Sir,

Please find enclosed the **Supplementary Test Report** for **REVALIDATION** of the above sample as per IS: 2148-2004.

The above apparatus was earlier certified as per IS: 2148-1981 vide CMRI Test Report No. CMRI/TC/H243, Dated: 04/10/1996 and subsequent Addendum Report No. mentioned in the schedule of this report.

Charges of **Rs. 10, 382/- (Rupees Ten thousand Three hundred Eighty Two only)** including applicable service charges involved towards the testing/issuing the schedule have been adjusted against the advance deposit made by you.

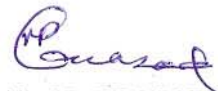
Kindly arrange to collect the sample within 90 days from the date of receipt of this letter failing which CIMFR would dispose off the sample by public auction without any further NOTICE to you.

Kindly acknowledge receipt.

Thanking you,

Yours faithfully,

Encl.: As above
Suppl. Report for Revalidation in Triplicate
Copy to: 1. Head, Flame & Explosion Lab.
2. Bill Section.


(G. M. PRASAD)
HEAD OF THE DEPARTMENT
TESTING CELL

Page 1 of 6

निदेशक Director

पी० ए० एक्स PAX

फैक्स FAX

: 0091 326 2202326/2203043

Ph.: 0091 326 - 2203010/2203070/2203090/2205045/2209041

0091-326-2201442/2202429/2204339/2203156

e-mail : dcmrips@yahoo.co.in, dcmri@csir.res.in . Website : www.cmriindia.nic.in

कार्यालय के दिन : सोमवार से शुक्रवार तक Working days : Monday to Friday