

## EXC 9000

FLAME PROOF CAMERA HOUSING



### Mechanical Data

Material	: Cast Al LM6 + bakelite OR Cast Fe
IP Protection	: IP 65 as per IS:2147/1962 / IEC 60529 / 1987
Finish	: Anti Corrosive Epoxy - Powder coated
Cable Entry	: 2 * 0.5" / 0.75" / 1.0" ET/NPT/BSP/M20 / M25
Gasket	: Neoprene
Hardware	: Stainless Steel
Terminals	: 2.5 / 4.0 mm <sup>2</sup> - 4 nos. permissible

### Electrical Data

Element	: CCD Color Image sensor 1/4", 1/3"
Resolution	: 330 TV Lines per Frame
Min. Illumination	: 1 Lux
S/N Ratio	: >45 dB
Load	: External : 2 Nos. - M6
Supply	: 230 V AC / 12 V DC
Lens	: 16/ 25/ 50/ 75 mm manual IRIS

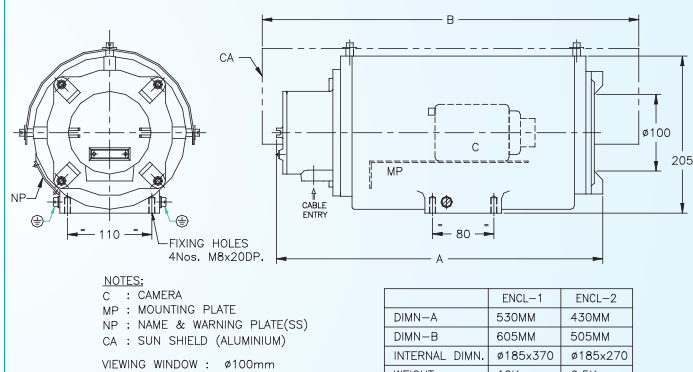
Note: Camera details furnished are only indicative and other models / types can be incorporated.

### Description

Explosion proof camera housing with an integral entry design terminal chamber. The main chamber houses the camera with accessories such as zoom lens, variable voltage adaptors etc., a sun shield is provided on top to deflect direct heat. A toughened clear glass protects the camera front. The housing is mounted on a plate which is fixed to a adjustable fixture for proper focussing in the vertical / horizontal plane. Two cable entries are provided one each for video and other for power connections. These are internally shielded to reduce interference. The large internal volume makes it convenient to fit a wide range of cameras and lenses Alternately, enclosure can carry Heater 40W, 230V ac with thermostat / thermister & blower 12V, 5W rating (max.)

Note: the camera type, make, design can be of customer choice and is mounted on a adjustable chassis for ease of operations

### GA Drawing



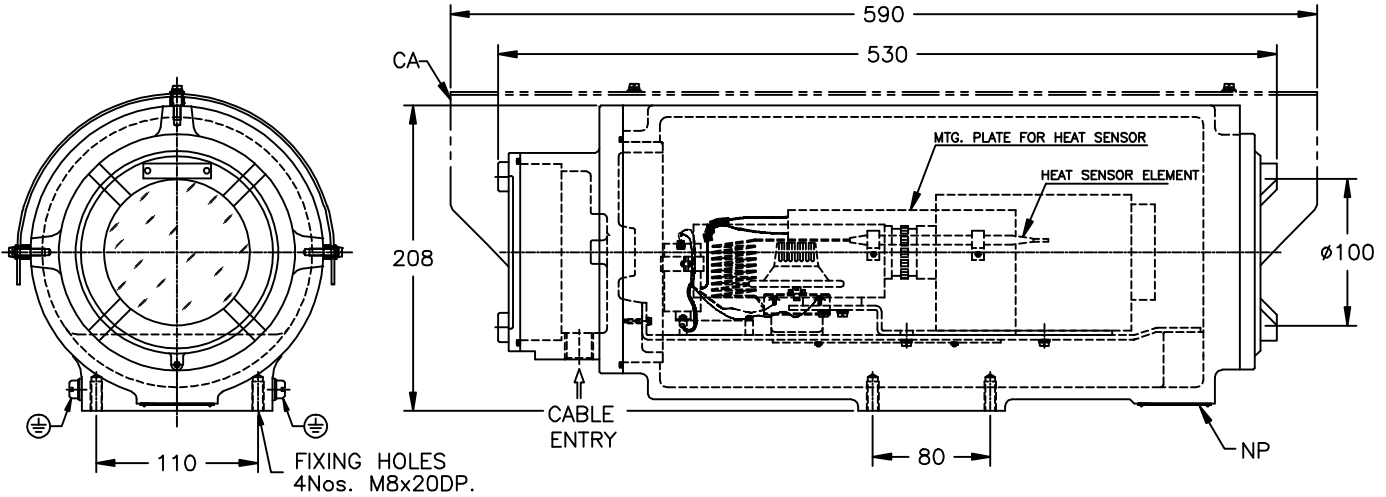
All dimensions are in mm

Type of protection	Flame Proof - Exd
Area Classification	Zone 1 & 2
Gas Groups	Group II A, II B.
Apparatus Standard	IS-2148:2004(IEC 60079-1/2001)
CIMFR Certificate No.	CIMFR/TC/SR/H1151
Approvals	CCE,BIS

### Salient Features

- 1 All types of zoom lens can be fitted on for different viewing options.
- 2 The internal volume is large enough to run the CC TV systems with reduced temperatures.
- 3 Different types of lenses such as Auto IRIS, Infrared, Motorised zoom lenses or night vision lens can be fitted on.

DO NOT SCALE



VIEWING WINDOW :  $\phi 100\text{mm}$

\*GL-A100Z20 (10-200MM) TV ZOOM LENS (20X LENS)

\*HEATING BLOWER 24V AC AND THERMOSTAT

INTERNAL DIMENSIONS :  $\phi 185 \times 370\text{mm}$   
ALL DIMENSIONS ARE IN MM

E	CABLE ENTRY: 2Nos. 0.75"ET		CUSTOMER :		TITLE : EXPLOSIONPROOF CAMERA HOUSING	
	NOTES: CA -CANOPY NP -NAME & WARNINGPLATE(SS) EARTHING -2Nos.EXTERNAL & 1No.INTERNAL HARDWARES -SS304		CONSULTANT :		CAT No. : EXC-9000	
F	CMRI : CMRI/TC/P/H308 DT:17.04.02		PROJECT :		CLASSIFICATION : Exd IIB IP65 ZONE 1&2	
	IS:13346/04 (IEC:60079-0/00)		P.O.No. :		WT: 12Kgs. MATL: (APPROX.) LM-6	
	IS:2148/04 (IEC:60079-1/01)		FINISH : EPOXY POWDER COATED (SHADE-105 OF IS:5 & RAL-7032)		TOLERANCE : $\pm 5\text{mm}$ SCALE N.T.S	
	IS:12063/87 (IEC:60529/89)				FOR APPROVAL	
				NAME DATE		SHEET 1 OF 1
				REV-1		
				REV-2		
				DRN. S.S 11.05.09		DRG. NO.
				CHKD.		QEEXC90001
				APPD.		REV. 0



**Baliga Lighting Equipments Private Limited**  
KOVILAMBAKKAM, CHENNAI-600 117, INDIA.

# केन्द्रीय खनन एवं ईंधन अनुसंधान संस्थान

(वैज्ञानिक तथा औद्योगिक अनुसंधान परिषद)  
बरवा रोड, धनबाद - 826001, झारखण्ड, भारत



ADDITIONAL FIRST COPY

## Central Institute of Mining and Fuel Research

Formerly : Central Mining Research Institute  
(Council of Scientific & Industrial Research)  
BARWA ROAD, DHANBAD-826 001, JHARKHAND, INDIA

### REGISTERED POST/COURIER SERVICE

No. CIMFR/TC/SR/H1270  
I.D. No. 934/07

Dated: 31<sup>st</sup> March, 2008  
CODE NO. FLP/204ZA/08

To  
**M/S. BALIGA LIGHTING EQUIPMENTS PVT. LTD.,**  
389, MEDAVAKKAM ROAD, KOVILAMBAKKAM,  
**CHENNAI-600 117**

**Sub:** Supplementary Testing for **REVALIDATION** as per IS: 2148-2004 (IEC 60079-1/2001) of your **Flameproof/Weatherproof Camera** in cast aluminium alloy LM-6 construction, designated by **Cat. No.: EXC-9000** for use in Zone 1 & 2 and Gas Groups: IIA & IIB atmosphere only.

- Report on (REVALIDATION)

Your Ref. Appl. No.: CMRI/6/277/IIB-I

Dated: 21/12/2007

Dear Sir,

Please find enclosed the **Supplementary Test Report** for **REVALIDATION** of the above sample as per IS: 2148-2004.

The above apparatus was earlier certified as per IS: 2148-1981 vide CMRI Test Report No. CMRI/TC/P/H308, Dated: 17/04/2002.

Charges of **Rs. 10,214/- (Rupees Ten thousand Two hundred & Fourteen only)** including applicable service charges involved towards the testing/issuing the schedule have been adjusted against the advance deposit made by you.

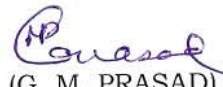
Kindly arrange to collect the sample within 90 days from the date of receipt of this letter failing which CIMFR would dispose off the sample by public auction without any further NOTICE to you.

Kindly acknowledge receipt.

Thanking you,

Yours faithfully,

Encl.: As above  
Suppl. Report for Revalidation in Triplicate  
Copy to: 1. Head, Flame & Explosion Lab.  
2. Bill Section.

  
(G. M. PRASAD)  
HEAD OF THE DEPARTMENT  
TESTING CELL

Page 1 of 6

फोन-निदेशक Director  
Ph.: 0091-326-2202326/2203043

पी० ए० एक्स PAX  
Ph.: 0091-326-2203010/2203070/2203090/2205045/2209041

फैक्स FAX  
0091-326-2201442/2202429/2204339/2203156

e-mail : dcmrips@yahoo.co.in, dcmri@csir.res.in • Website : www.cmriindia.nic.in

कार्यालय के दिन : सोमवार से शुक्रवार तक Working days : Monday to Friday