

DLS 102

WEATHER PROOF DAY LIGHT SWITCH



Mechanical Data

Material	: ABS
Weight	: 250 g (Approx.)
IP Protection	: IP 65 as per IS - 12063/1987 (IEC 60529/1989)
Finish	: Grey
Cable Entry	: 2 x M20
Gasket	: Neoprene
Hardware	: Stainless Steel
Cable Glands	: Polyamide (Optional)

Electrical Data

Voltage	V	: 24 V DC / 48 V DC / 230 V AC , 50 Hz
Output Contact Rate		: 1 A / 2 A / 5 A / 10 A
Wiring		: 4 x 1.5 sq.mm Stranded copper
Earthing		: Internal 1 No - M5

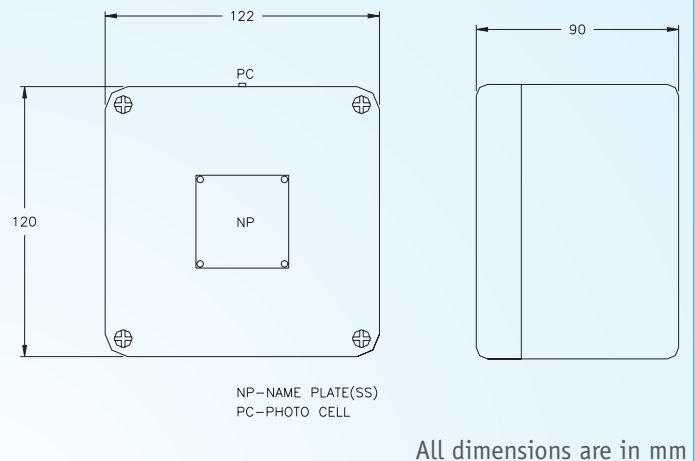
Ordering Details

Voltage	Amps	Wattage	Catalogue No.	
			W/O Flasher	With Flasher
24 V DC	1 A	24 W	DLS 102-2401	DLS 102F-2401
24 V DC	2 A	48 W	DLS 102-2402	DLS 102F-2402
24 V DC	5 A	120 W	DLS 102-2405	DLS 102F-2405
24 V DC	10 A	240 W	DLS 102-2410	DLS 102F-2410
48 V DC	1 A	48 W	DLS 102-4801	DLS 102F-4801
48 V DC	2 A	96 W	DLS 102-4802	DLS 102F-4802
48 V DC	5 A	240 W	DLS 102-4805	DLS 102F-4805
48 V DC	10 A	480 W	DLS 102-4810	DLS 102F-4810
230 V AC	1 A	230 W	DLS 102-2301	DLS 102F-2301
230 V AC	2 A	460 W	DLS 102-2302	DLS 102F-2302
230 V AC	5 A	1150 W	DLS 102-2305	DLS 102F-2305

Description

Weather proof Day Light switch with Integral Sensor unit. The complete electronic control circuitry is housed inside a ABS enclosure. It switches the lamp ON/ OFF at dusk and dawn conditions. The Input / Output wiring is terminated at PCB mounted terminals. The cabling is through two nos. of M20 entries Polyamide glands (Optional) can be supplied.

GA Drawing



Type of protection	Weatherproof - IP65
Apparatus Standard	IS:13346-2004 (IEC 60079-0/2000)

Salient Features

- Field selectable flashing rates through dip switches: (Only available in Model: DLS 102F)
 - Fast (Two flashes per second)
 - Medium (One flash per second)
 - Slow (One flash for every two seconds)
 - Steady mode
- Complete internal PCB is encapsulated for moisture resistance.
- Suitable for any luminaire

1

2

3

4

IF IN DOUBT ASK

DO NOT SCALE

A

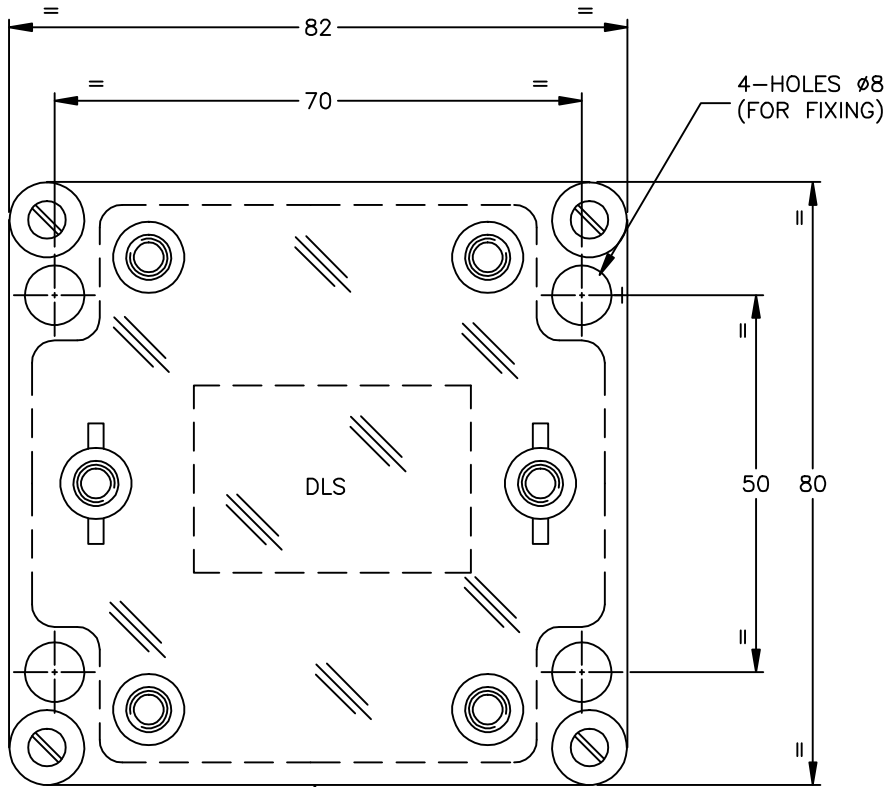
A

B

B

C

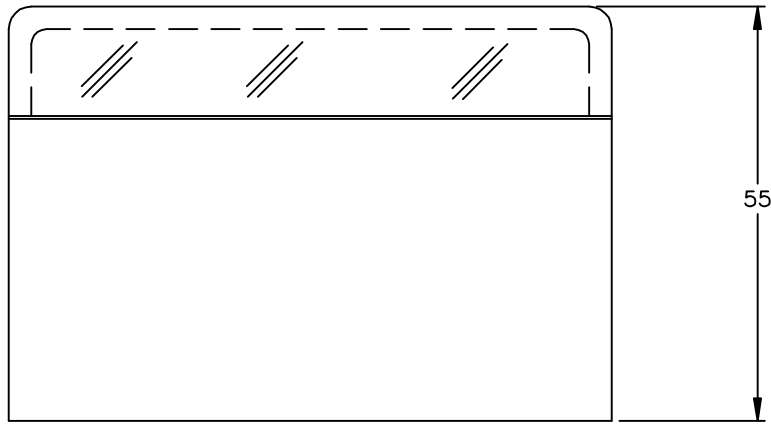
C



2Nos. M16 (POLYMER GLAND)

D

D



ALL DIMENSIONS ARE IN MM.

NOTES: DLS-DAY LIGHT SWITCH TO SUIT 10W 1A 230VAC EARTHING - 1No. INTERNAL HARDWARE - SS304	CUSTOMER :		TITLE : WEATHER PROOF DAY LIGHT SWITCH			
	CONSULTANT : -		CAT NO : DLS-102			
	PROJECT : -		CLASSIFICATION : IP65			
	P.O No. :		WT : (APPROX)	MATL : FRP	ITEM.No:	QTY:
FINISH : BODY BLACK WITH TRANSPARENT LID		TOLERANCE : ±5mm SCALE : N.T.S		FOR APPROVAL		
IS:12063/87 (IEC:60529/89)		NAME	DATE			
		REV-1				
				SHEET 1 OF 1		
		DRN. S.S	08.05.09	DRG. NO.	REV	
		CHKD.		QEDLS10201	0	
		APPD.				

F

F



Baliga Lighting Equipments Private Limited,
 KOVILAMBAKKAM, CHENNAI-600 117, INDIA.

1

2

3

4