

WP 105

WEATHER PROOF LED OR LAMP BASED FLASHER



Mechanical Data

Material	: Aluminium LM6
Weight	: 2.0 Kg (Approx.)
IP Protection	: IP 65 as per 13947 / 1993 / IEC 60529 / 1989
Finish	: Anti corrosive Epoxy powder coated
Cable Entry	: 2 x 1/2" or 2 x 3/4" ET / NPT/ BSP/ METRIC / PG
Dome	: Polycarbonate transparent type
Gasket	: Neoprene
Hardware	: Stainless Steel (SS-304)

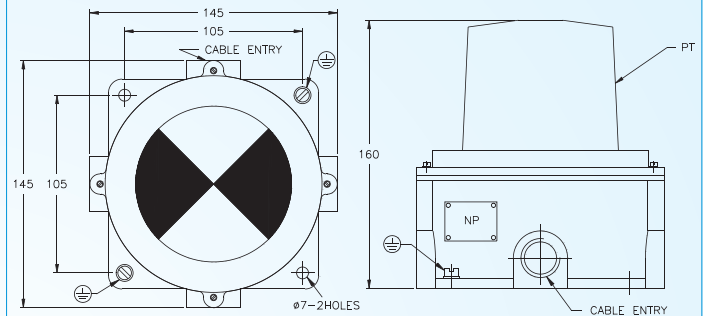
Electrical Data

Voltage V	: 230 V or 110 V AC , 50 Hz, 24 V DC
Lamp Wattage W	: 21 W (Max.) 24 V
Temperature	: 65° C at flashing
Flashing Rate	: One flash every 2 sec.
Colour	: Red / Amber
Wiring	: 1.5 sq.mm Stranded Copper
Max. Cable size	: 3C x 4 sq.mm
Terminations	: 4 Way 2.5 sq.mm terminal block
Insulators	: Glass fibre reinforced DMC
Earthing	: External : 2 Nos - M6 Internal : 1 No - M5

Description

Weather proof flasher made out of LM - 6 and a red prismatic transparent dome. Inside the dome there are reflecting strips to brighten the luminous output. Two separate gaskets are provided between the body and the dome to provide weather proofing. The flasher unit is placed inside the fitting and duly wired up to terminal strips, and two nos. Of 3/4" ET cable entries (one entry is plugged) are provided for wiring and looping.

GA Drawing



NOTES:
 PT - PRISMATIC TRANSPARENT RED COVER
 TERMINALS - 4Nos. 2.5SQ.MM.
 INPUT - 24V DC SUPPLY
 OUTPUT - 1CYCLE/SEC.
 LAMP - 21W 24V DC
 EARTHING - 2Nos. EXTERNAL & 1No. INTERNAL
 NP - NAME & WARNING PLATE (SS)
 HARDWARES - SS304

All dimensions are in mm

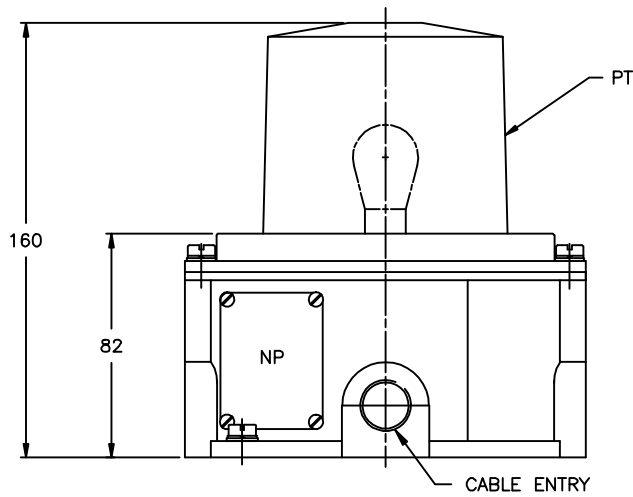
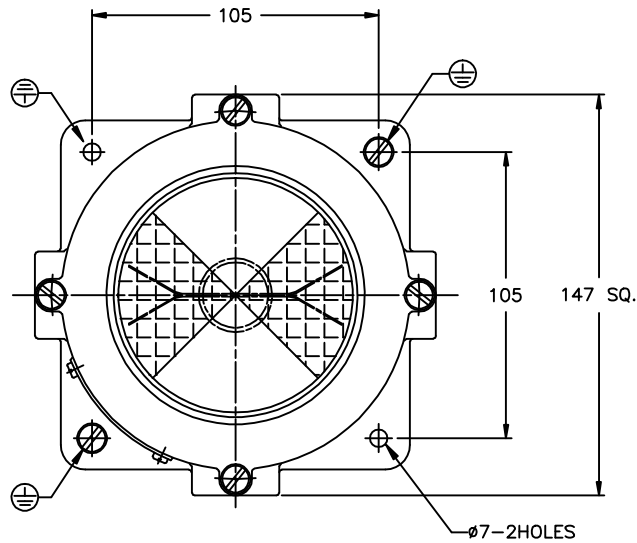
Type of protection	Weatherproof
Area Classification	IP 65
Apparatus Standard	IS - 13947/1993/IEC 60529/1989
Temp Rating	T6
Wattage Rating	21 W

Salient Features

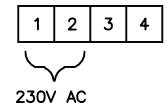
- 1 Compatibility with telephone interface
- 2 Compact and highly attractive

IF IN DOUBT ASK

DO NOT SCALE



TERMINAL DIAGRAM



NOTES:

- PT -PRISMATIC TRANSPARENT RED COVER
- TERMINALS -4Nos. 2.5SQ.MM.
- INPUT -24V DC SUPPLY
- OUTPUT -1CYCLE/SEC.
- LAMP -21W 24V DC
- HARDWARES -SS304
- NP -NAME & WARNING PLATE (SS)
- HARDWARES -SS304
- EARTHING -2Nos. EXTERNAL & 1No. INTERNAL

ALL DIMENSIONS ARE IN MM.

E	CABLE ENTRY: 2Nos. 0.75"ET (TOP & BOTTOM)		CUSTOMER : -		TITLE : WEATHERPROOF FLASHER			
			CONSULTANT : -		CAT No : WP-105			
			PROJECT : -		CLASSIFICATION : IP65			
			P.O No. : -		WT.:1KGS. (APPROX.)	MATL.: LM-6	ITEM No.:	QTY.:
			FINISH : EPOXY POWDER COATED LIGHT GREY (SHADE-631 OF IS:5)		TOLERANCE : ±5mm SCALE N.T.S		FOR INFORMATION ONLY	
F			IS:12063/87 (IEC:60529/89)		NAME	DATE		
					REV-1			
					REV-2			
					DRN.	E.M	25.05.06	SHEET 1 OF 1
					CHKD.			DRG. No. QEWP105001
				APPD.			REV 0	



Baliga Lighting Equipments Private Limited,
KOVILAMBAKKAM, CHENNAI-600117, INDIA.