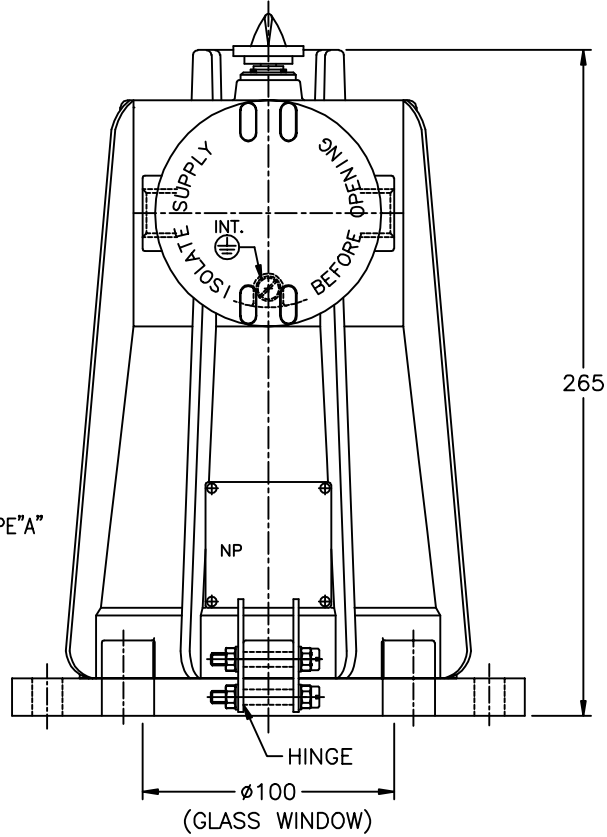
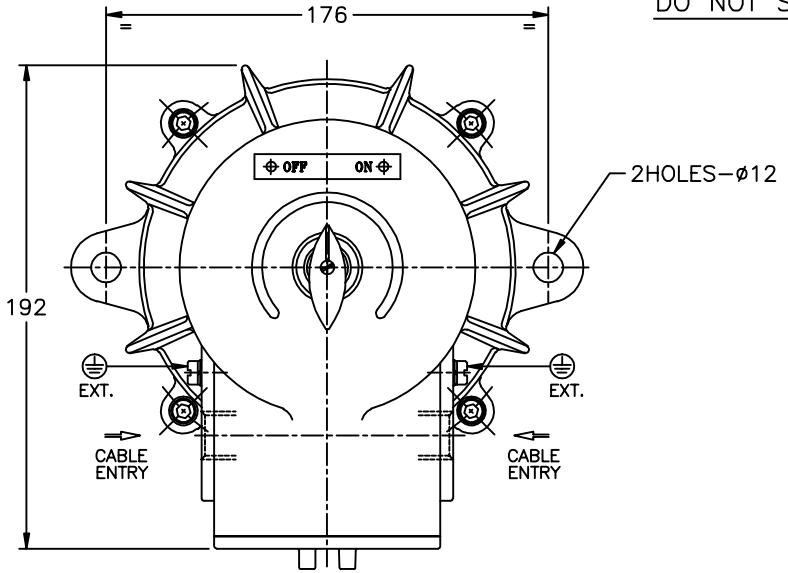


IF IN DOUBT ASK

DO NOT SCALE



NOTES:

- GLASS -TOUGHENED CLEAR FLAT GLASS BOROSILICATE TYPE "A"
- LAMP TO SUIT -100W GLS
- LAMP HOLDER -ES PORCELAIN
- INTERNAL REFLECTOR -AL.POLISHED
- ON-OFF TOGGLE SWITCH (6A, DP 240V)
- NP - NAME & WARNING PLATE (SS)
- EARTHING -2Nos. EXTERNAL & 1No. INTERNAL
- HARDWARE -SS304

ALL DIMENSIONS ARE IN MM.

CABLE ENTRY: 2No. 0.75 ET	CUSTOMER :	-	TITLE : EXPLOSIONPROOF VAT LIGHT			
	CONSULTANT :	-	CAT No. : FLP-3114			
	PROJECT :	-	CLASSIFICATION : Exd IIB IP65 ZONE 1&2 T6			
	P.O. No:	-	WT.:APPROX. 4.5 Kgs	MATL.:AL. LM-6	ITEM No.:	QTY.:
	FINISH : EPOXY POWDER COATED LIGHT GREY (SHADE-631 OF IS:5)		TOLERANCE :±5mm SCALE N.T.S		FOR INFORMATION ONLY	
CMRI : CMRI/TC/P/H944 DT:25.11.2002	IS:13346/04 (IEC:60079-0/00)	NAME	DATE			
CCE : A/P/HQ/MH/104/998 DT:10.06.05	IS:2148/04 (IEC:60079-1/01)	REV-1		SHEET 1 OF 1		
BIS : CM/L-0364341.	IS:12063/87 (IEC:60529/89)	REV-2				
Baliga Lighting Equipments Private Limited, KOVILAMBAKKAM, CHENNAI-600 117, INDIA.		DRN.	S.S	18.03.09	DRG. NO.	REV.
		CHKD.			QE31140001	0
		APPD.				

केन्द्रीय खनन एवं ईंधन अनुसंधान संस्थान

(वैज्ञानिक तथा औद्योगिक अनुसंधान परिषद)
बरवा रोड, धनबाद - 826 001, झारखण्ड, भारत



ADDITIONAL FIRST COPY

Central Institute of Mining and Fuel Research

Formerly : Central Mining Research Institute
(Council of Scientific & Industrial Research)
BARWA ROAD, DHANBAD-826 001, JHARKHAND, INDIA

REGISTERED POST/COURIER SERVICE

No. CIMFR/TC/SR/H293
I.D. No. 956/07

Dated: 21st July, 2008
CODE NO. FLP/204L/08

To
M/S. BALIGA LIGHTING EQUIPMENTS PVT. LTD.,
389, MEDAVAKKAM ROAD, KOVILAMBAKKAM,
CHENNAI-600 117

Sub: Supplementary Testing for **REVALIDATION** as per IS: 2148-2004 (IEC 60079-1/2001) of your **Flameproof/Weatherproof VAT LIGHT FITTING** in cast aluminium alloy LM-6 construction, designated by **Cat. No.: FLP-3114** for use in Zone 1 & 2 and Gas Groups: IIA & IIB atmospheres only.

- Report on (REVALIDATION)

Your Ref. Appl. No.: CIMFR/6/296/IIB

Dated: 15/12/2007

Dear Sir,

Please find enclosed the **Supplementary Test Report** for **REVALIDATION** of the above sample as per IS: 2148-2004.

The above apparatus was earlier certified as per IS: 2148-1981 vide CIMFR (Erstwhile: CMRI) Test Report No. CMRI/TC/P/H944, Dated: 25/11/2002.

Charges of **Rs. 9,259/- (Rupees Nine thousand Two hundred & Fifty nine only)** including applicable service charges involved towards the testing/issuing the schedule have been adjusted against the advance deposit made by you.

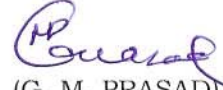
Kindly arrange to collect the sample within 90 days from the date of receipt of this letter failing which CIMFR would dispose off the sample by public auction without any further NOTICE to you.

Kindly acknowledge receipt.

Thanking you,

Yours faithfully,

Encl.: As above
Suppl. Report for Revalidation in Triplicate
Copy to: 1. Head, Flame & Explosion Lab.
2. Bill Section.


(G. M. PRASAD)
HEAD OF THE DEPARTMENT
TESTING CELL

Page 1 of 6

फोन-निदेशक Director

पी० ए० एक्स PAX

फैक्स FAX

Ph.: 0091-326-2202326/2203043

Ph.: 0091-326-2203010/2203070/2203090/2205045/2209041

0091-326-2201442/2202429/2204339/2203156

e-mail : dcmrips@yahoo.co.in, dcmri@csir.res.in • Website : www.cmriindia.nic.in

कार्यालय के दिन : सोमवार से शुकवार तक Working days : Monday to Friday