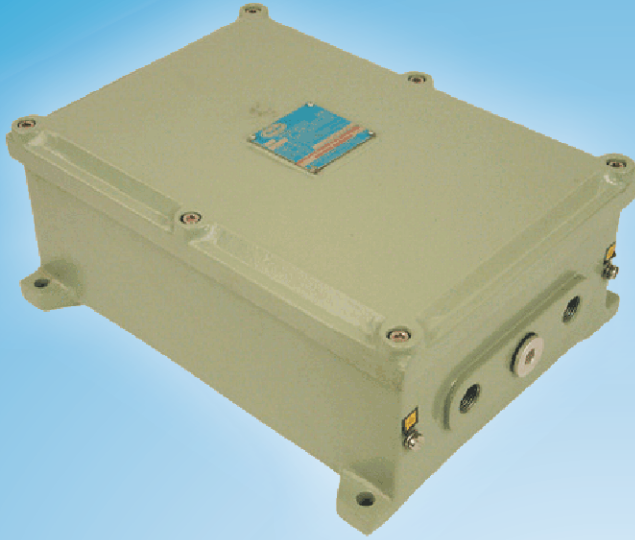


WP 30990

WEATHER PROOF CONTROL GEAR BOX



Mechanical Data

Material	: Aluminium LM6
Weight	: 10.5 Kg
IP Protection	: IP 65 as per IS-12063/1987 (IEC 60529/1989)
Finish	: Anti corrosive epoxy powder coated
Cable Entry	: 3 x 3/4 " ET With one plug.
Mounting	: Integrally cast mounting lugs
Gasket	: Neoprene
Hardware	: Stainless Steel

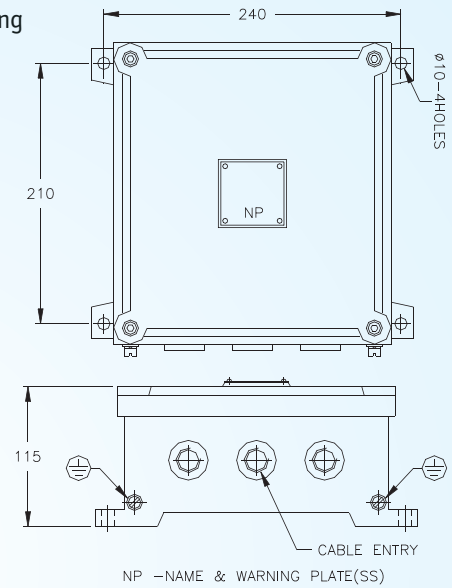
Electrical Data

Voltage	V : 230 V AC , Setting adjustable up to 200 V
Ballast	W : 250 / 400 HPMV
Condenser mfd	: 16, 20
Wiring	: PVC insulated 2.5 sq.mm stranded copper
Max. Cable size	: 3 x 6 sq.mm
Terminations	: 4 way 15A terminal block
Insulators	: Glass fibre reinforced DMC
Earthing	: External 2 Nos - M6 Internal 1 No - M5

Description

Weatherproof control gear box fitted with a control gear tray with provision to mount HPMV Ballasts up to 400 W. Specially designed terminals provide safe termination of the incoming cable using slotted crimping lugs. A neoprene gasket provides complete protection against entry of dust and water. Ample space is provided for the easy termination of cables along with provision for looping.

GA Drawing



All dimensions are in mm

Type of protection	Weatherproof -WP
Area Classification	Safe Area
Apparatus Standard	IS - 2147