

## FCK 1590 & FCK -1593

FLAME PROOF LCD DIGITAL CLOCK



**FCK - 1**



**FCK - 2**

### Mechanical Data

Material	: Aluminium LM6
Weight	: 6.0 Kg Approx
IP Protection	: IP 65 as per IS 12063/1987 (IEC 60529/1989)
Finish	: Anti corrosive Epoxy powder coated
Cable Entry	: 2 x (0.75" ET / 0.5" NPT / BSP / M20)
Glass	: Toughened flat glass
Mounting	: Direct mounting onto the ceiling
Gasket	: Neoprene / Silicone
Hardware	: Stainless Steel (SS-304)
Canopy	: Optional

### Electrical Data

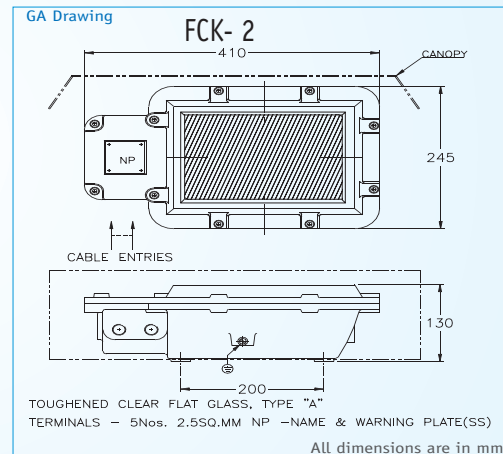
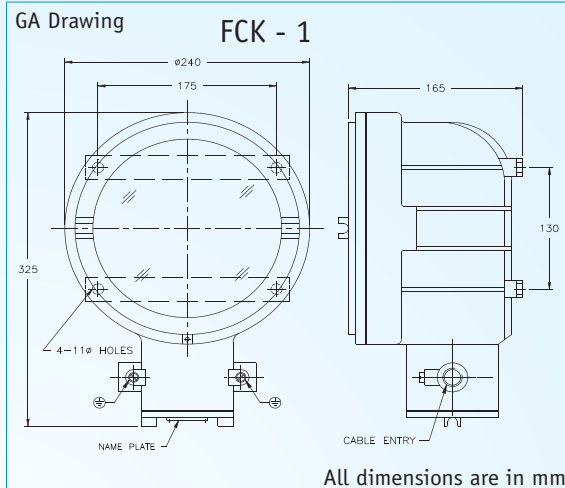
Voltage	V	: 230 V AC , 50 Hz
LCD Wattage		: 12 W
Wiring		: Fibreglass class F insulated 1.5 sq.mm
		Stranded copper
Max. Cable size		: 3C x 4 sq.mm
Int. Terminations		: 4 sq.mm crimping lugs
Insulators		: Glass fibre reinforced DMC

### Sailent feature

- 1) LCD's having long life.
- 2) less power consumption

## Description

Explosion proof Digital Clock. A toughened clear flat glass which is cemented into a retaining ring is screwed/Bolted on to the main body. The liquid crystal display is mounted on the aluminum plate and connected to the terminal chamber through insulating bushes. Timing can be fixed during the installation by opening the main chamber.



### FCK - 1

Type of protection	Flame Proof - Exd
Area Classification	Zone 1 & 2
Apparatus Standard	IS - 13346/2004 (IEC 60079 - 0/2000) IS - 2148/2004 (IEC 60079 - 1/2001)
Approvals	CCE
Temp Rating	T6
Wattage	12W

### FCK - 1

CMRI Certificate No.	CMRI / TC / P / H 88
Gas Groups	Group I, II A ,II B & II C

### FCK- 2

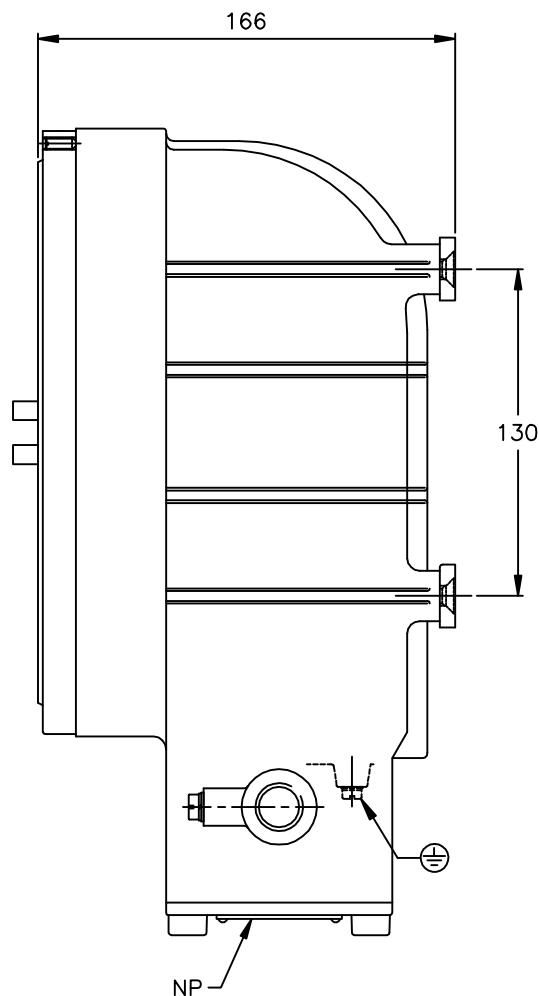
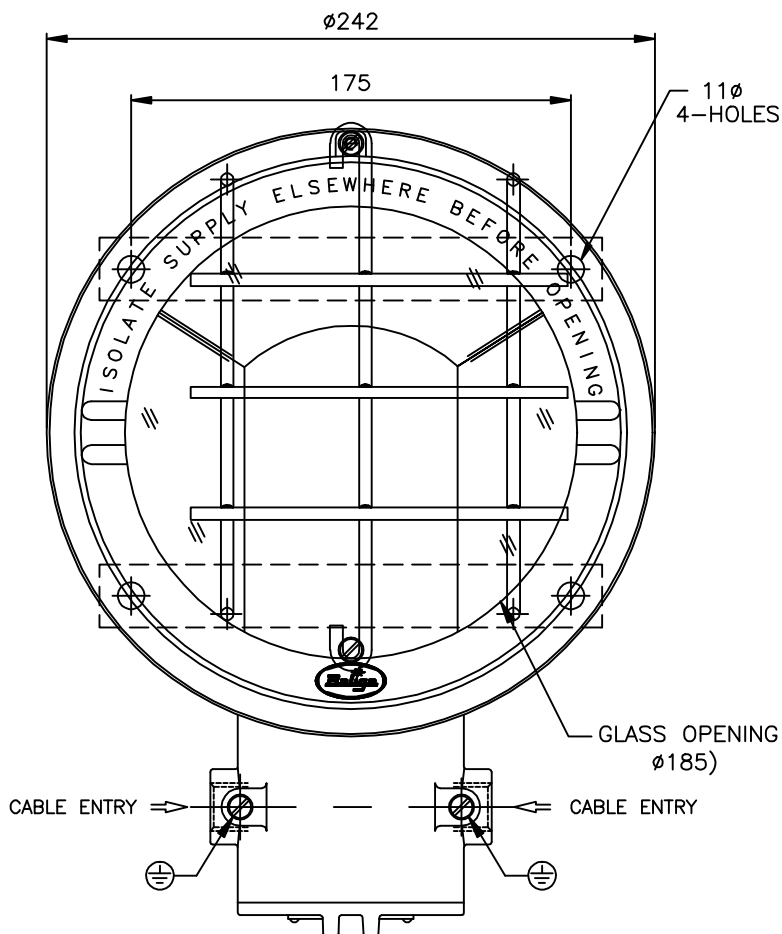
CIMRF Certificate No.	CIMRF/TC/SR/H1218
Gas Groups	Group I, II A ,II B

IF IN DOUBT ASK

DO NOT SCALE

A  
B  
C  
D  
E  
F

A  
B  
C  
D  
E  
F



**NOTES:**

- GLASS - TOUGHENED CLEAR FLAT GLASS
- LAMPHOLDER - ES PORCELAIN
- LAMP TO SUIT - REFER TABLE
- NP - NAME & WARNING PLATE (SS)
- HARDWARES - SS304
- EARTHING - 2Nos. EXTERNAL & 1No. INTERNAL
- WG - WIRE GUARD (M.S, EPOXY POWDER COATED - WHITE COLOUR)

ALL DIMENSIONS ARE IN MM.

CABLE ENTRY: 2Nos. 0.75 ET	CUSTOMER :	-	TITLE: EXPLOSIONPROOF BULK HEAD LUMINAIRE			
	CONSULTANT :	-	CAT NO : FLPW-1590			
	PROJECT :	-	CLASSIFICATION: Exd IIC IP65 ZONE 1&2			
	P.O No. :	-	WT:6 Kgs (APPROX)	MATL: AL. LM6	ITEM No: -	QTY: -
	FINISH : EPOXY POWDER COATED LIGHT GREY (SHADE-631 OF IS:5)	TOLERANCE : ±5mm		SCALE: N.T.S		
CMRI : CMRI/TC/P/H1230 DT.30.10.2001	IS:13346/04 (IEC:60079-0/00)	NAME	DATE	FOR INFORMATION ONLY		
CCE : A/P/HQ/MH/104/752 DT.30.06.04	IS:2148/04 (IEC:60079-1/01)	REV-1				
BIS : CM/L 0364341	IS:12063/87 (IEC:60529/89)	REV-2				
Baliga Lighting Equipments Limited		DRN.	S.S 18.03.09			
KOVILAMBAKKAM, CHENNAI-600117, INDIA.		CHKD.		QE15900001	0	
		APPD.				

1

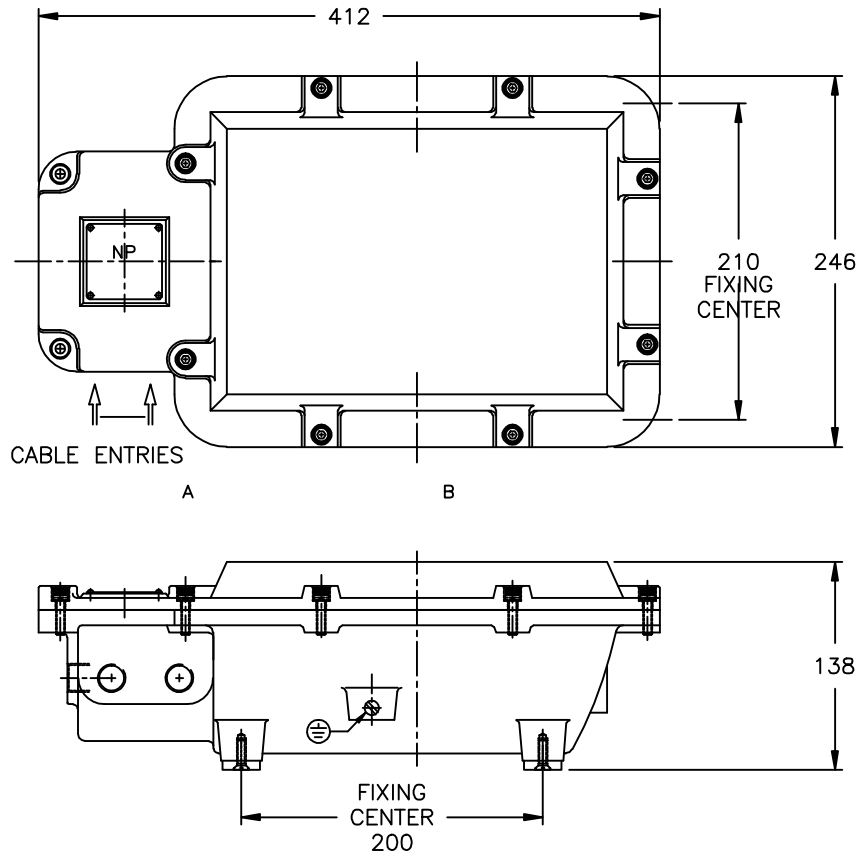
2

3

4

IF IN DOUBT ASK

DO NOT SCALE



**TECHNICAL DATA**

BATTERY - 1No. 6V, 2.5AH RECHARGE NICKEL CADMIUM BATTERY (30MIN POWER BACKUP)

A - BATTERY CHARGING (GREEN) & B - BATTERY LOW (RED)

TOUGHENED CLEAR FLAT GLASS, TYPE "A"

LAMP TO SUIT - 1x11W (CFL)

TERMINALS - 4Nos. 2.5SQ.MM - MICRO-ELMEX

NP - NAME & WARNING PLATE(SS)

HARDWARE - SS304

GLASS WINDOW SIZE : 198x122

FIXING CENTER : 210x200x4HOLES-Ø10

ALL DIMENSIONS ARE IN MM.

E	CABLE ENTRY: 2Nos. 0.75 ET	CUSTOMER :	-	TITLE: EXPLOSIONPROOF EMERGENCY EXIT LUMINAIRE			
		CONSULTANT :	-	CAT NO : FLPW 1593			
		PROJECT :	-	CLASSIFICATION: Exd IIB IP65 ZONE 1&2			
		P.O No. :	-	WT: 7 Kgs (APPROX)	MATL: AL. LM6	ITEM No: -	QTY: -
		FINISH : EPOXY POWDER COATED LIGHT GREY (SHADE-631 OF IS:5)	TOLERANCE : ±5mm		SCALE: N.T.S		
F	CMRI : V/1/1/1477 DT.:21.03.91	IS:13346/04 (IEC:60079-0/00)	NAME	DATE	FOR INFORMATION ONLY		
		IS:2148/04 (IEC:60079-1/01)	REV-1				
		IS:12063/87 (IEC:60529/89)	REV-2				
Baliga Lighting Equipments Limited		DRN.	S.S	18.03.09	DRG. NO.	REV	
KOVILAMBAKKAM, CHENNAI-600117, INDIA.		CHKD.			GAFEEL1593	0	
		APPD.					

