

FEML 3140

FLAME PROOF EMERGENCY FLUORESCENT LUMINAIRE



Mechanical Data

Material	: Cast Aluminium LM6
Weight	: 14.5 Kg
IP Protection	: IP 65
Finish	: Anti corrosive Epoxy Powder Coated
Cable Entry	: 2 x (0.75" ET / 0.5" NPT / BSP / M20)
Glass	: Borosilicate Tube
Wire guard	: 5 mm Welded Steel Construction
Reflector	: Epoxy coated Aluminium Sheet
Suspension	: Wall Mounting
Gasket	: Neoprene
Hardware	: Stainless Steel (SS-304)

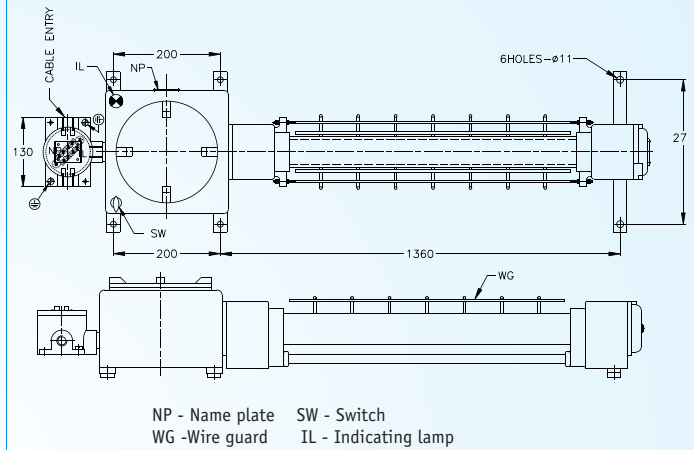
Electrical Data

Voltage	V : 230 V AC , 50 Hz
Lamp Wattage	W : 1 x 40 W FTL
Lamp Holder	: Special Design - Spring loaded Bipin
Wiring	: PVC insulated 1.5 sq.mm Stranded copper
Battery	: Standard 2 x 6 V, 4 Ah Sealed Lead Acid. Optionally Ni-Cd or Ni-MH can be used.
Transformer	: 18 - 0 -18 V , 1 A , 230 V for Charging
Max. Cable size	: 3C x 4 sq.mm
Terminations	: 4 way 4 sq.mm terminal block
Earthing	: External 2 Nos - M6 Internal 1 No - M5

Description

Explosion proof Emergency Light with separate terminal chamber. The main chamber houses the emergency kit comprising of batteries, transformer and encapsulated PCB. On the body a switch and a LED indications are provided. The borosilicate glass tube is cemented to its housing. Neoprene gaskets are provided for weather proof protection. Cable entries and terminals are provided in the terminal chamber for wiring through FLP cable glands.

GA Drawing



All dimensions are in mm

Type of protection	Flame Proof - Exd
Area Classification	Zone 1 & 2
Gas Groups	Group I, II A ,II B
Apparatus Standard	IS - 2148 / 81 & IS- 2206 Part I
CMRI Certificate No.	CMRI / TC / P / 403
Approvals	CCE
Temp Rating	T6
Wattage Rating	1 x 40 W FTL

Salient Features

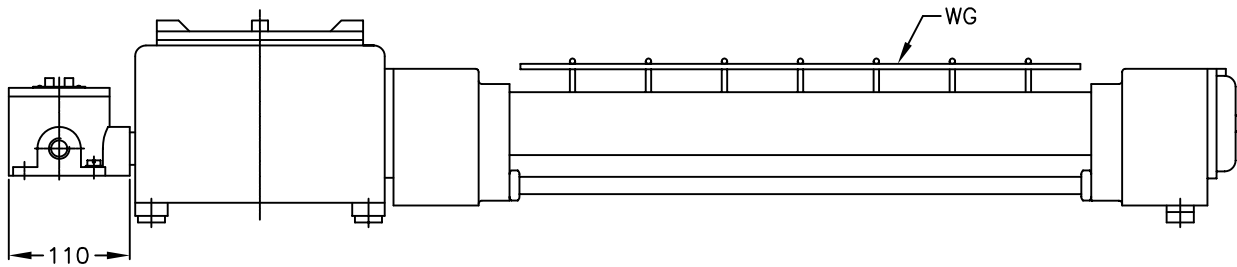
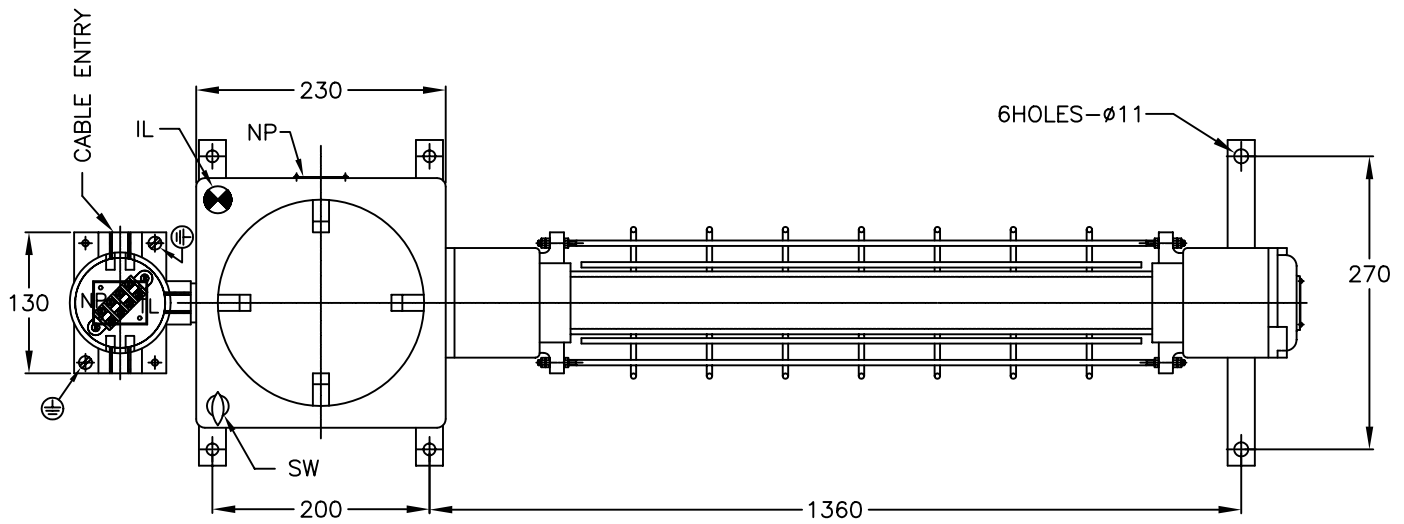
- 1 90 Minutes back up with trickle charge facility
- 2 Automatic charging and charge cut off operation with Discharge cycle to secure the battery life longer.
- 3 Battery charge reaches 90% of its desired voltage LED clusters will start flashing

CMRI Certificate is same for FEML 3140, FEML 3220 and FEML 3240. To view the certificate please refer FEML 3240 (Page No.8).

CMRI CERTIFIED

CERTIFICATES
CMRI | CCE | BIS





NOTES:

- SW -BATTERY ON/OFF SWITCH
- IL -LED INDICATION FOR BATTERY CHARGING AND CHARGE CUT OFF
- LAMP -40W FLUORESCENT LAMP
- NP -NAME & WARNING PLATE (SS)
- WG -WIRE GUARD (M.S)
- TL -4WAY TERMINAL BLOCK
- HARDWARES -SS-304
- EARTHING -2Nos. EXTERNAL & 1No. INTERNAL

ALL DIMENSIONS ARE IN MM.

FOR INFORMATION ONLY

CABLE ENTRY: 1No. 0.75"ET	CUSTOMER :		TITLE : FLP/WP EMERGENCY FLUORESCENT LIGHT FITTING			
	CONSULTANT :		CAT NO : FEML-3140			
	PROJECT :		CLASSIFICATION : Ex-d IIB T6 IP 65 ZONE 1&2			
	P.O No. :		WT.:15KGS. (APPROX.)	MATL.: LM-6	ITEM No.:	QTY.:
	FINISH : EPOXY POWDER COATED (SHADE-631 OF IS:5)		TOLERANCE :±5mm SCALE N.T.S			
CMRS : CMRI/TC/P/H403 DT:20.05.02		IS : 13947/93		NAME	DATE	
CCE : AWAITED		IS : 2148/81		REV-1		
				REV-2		
				DRN. TSM 05.06.04	SHEET 1 OF 1	
Baliga Lighting Equipments Private Limited KOVILAMBAKKAM, CHENNAI-600 117, INDIA.				CHKD.	DRG. NO.	
				APPD.	GFEML314001	
				0		