

## AW 300

LED CLUSTER BASED AVIATION OBSTRUCTION LIGHT



### Mechanical Data

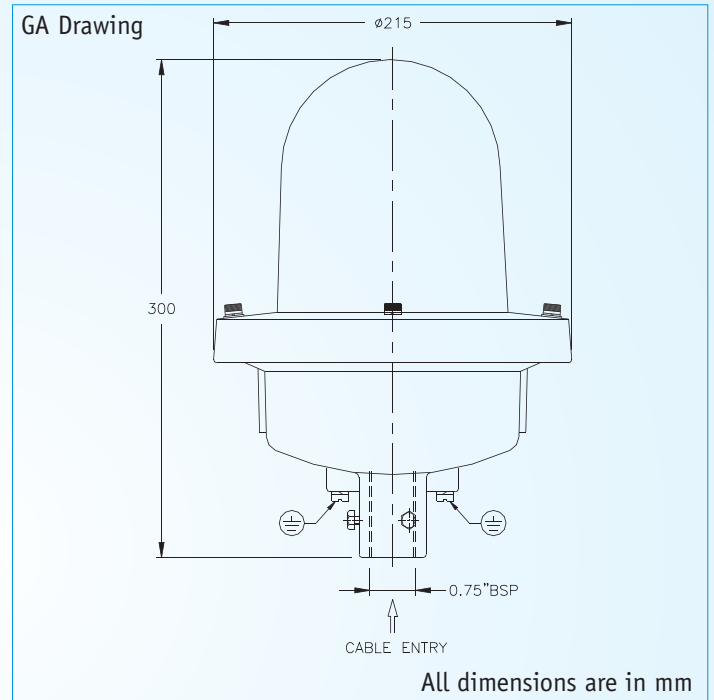
Material	: Aluminium LM6
Weight	: 2.1 Kg (Approx.)
IP Protection	: IP 65 as per IS-12063/1987 (IEC 60529/1989)
Finish	: Anti corrosive Epoxy - Aviation Yellow
Cable Entry	: Bottom Entry
Glass	: Toughened Borosilicate Type ' A '
Suspension	: Pipe
Gasket	: Neoprene
Hardware	: Stainless Steel

### Electrical Data

Voltage	V	: 24 V DC / 48 V DC / 230 V AC , 50 Hz
Output Light		
Intensity		: 110 cd
Lamp Wattage W		: low intensity 15W
Colour		: Red
Intensity of LED		: 2800 mcd
Wave Length of LED		: 720 nm
Angle Reflection		: 15° from horizontal
No. Of Circuits		: Eight in Parallel
Wiring		: 1.5 sq.mm Stranded copper
Int. Terminations		: 4 sq.mm Crimping lugs
Earthing		: External 2 Nos - M6 Internal 1 No - M5

## Description

Weather proof Aviation Obstruction Light with Integral terminal chamber. A toughened borosilicate clear type ' A ' glass is mounted with neoprene gasket on a retaining ring and fixed to body by 4 nos. Hexagonal screws. An aviation lamp unit ( LED ) is housed inside the fitting. The unit is wired up to 2 Nos. terminals provided in the inner wall of the unit. (Complying with ICAO standards Annexe 14 th July, 1990 )



Type of protection	Weather Proof - WP
Apparatus Standard	IS - 13947 / 93 (IEC 60529/1989)
CMRI Certificate No.	CMRI TC / P / H 1216
Temp Rating	T6
Wattage Rating	low intensity 15W

### Salient Features

- 1 Field selectable flashing rates (Optional):
  - i) Fast ( Two flashes per second)
  - ii) Medium ( One flash per second)
  - iii) Slow (One flash per every two seconds)
  - iv) Steady Mode
- 2 Entire LED bulb unit completely replaceable
- 3 Life 100,000 hours

### Variations

- AW 300 - Basic model.
- AW 300 F - Basic Model with flasher.
- AW 300 SF - With photocell & Flasher unit.