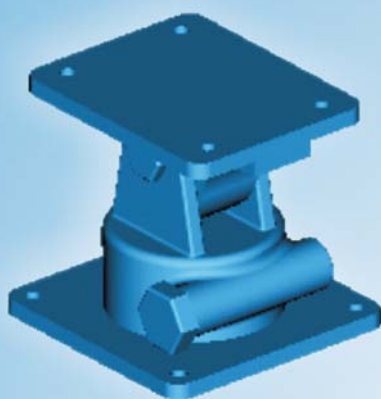


WALL BRACKET

CEILING BRACKET



PAN/TILT UNIT (Manual)



Mechanical Data

Material	: Welded Steel
Weight	: 3.5 kg for wall bracket : 4.2 kg for Ceiling bracket : 5.8 kg for Pan/Tilt unit
Finish	: Anti Corrosive Epoxy-Powder Coated
Hardware	: Stainless Steel

General Notice

There units are compatible with the other non hazardous area Camera/CCTV with the Video switching, transmission, data capture(VCR Operation) and storage already available in the plant.

Description

Brackets: The Mounting Brackets for the Cameras are made of Steel and are available in various sizes, types for both wall and pedesatal mounting. A range of colours can be provided to suit customer choice. The tilt facility in the adjustable brackets can be upto 30° on the horizontal.

Pan/Tilt Unit: The P&T unit is available with movement either in horizontal plane only or with both horizontal and vertical planes, with range of rotation of 360° on the horizontal plane and 60° on the vertical one. The P&T unit is made out of rigid welded steel, duly epoxy coated for corrosion resistance. It can accommodate loads up to 20Kgs. The adjustments can be from +30° to -60° on the horizontals.

Options are being designed for Motorised Zoom and Motorised Pan/Tilt arrangement.

