

WP 117

WEATHERPROOF MULTI TONE AUDIO VISUAL ALARM



Mechanical Data

Material	: FRP
Weight	: 3 Kg (approx.)
IP Protection	: IP 65 as per IS 13947 / 1993 / IEC 60529 / 1989
Finish	: Grey.
Cable Entry	: 2 x 3/4" ET
Gasket	: Neoprene
Hardware	: Stainless Steel

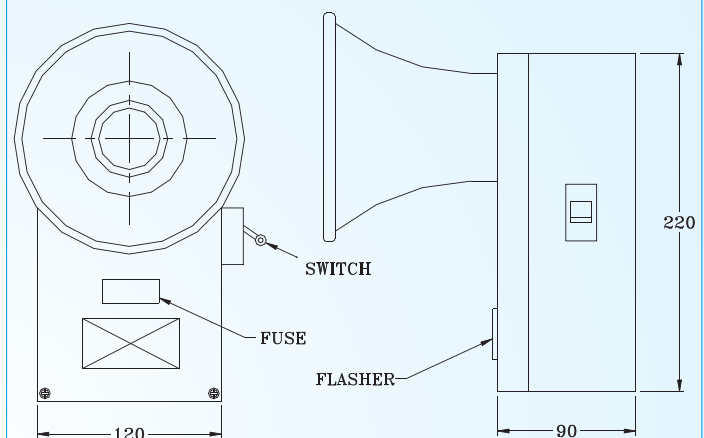
Electrical Data

Voltage	: 24 V DC or 110 V / 230 V AC - 50 Hz
Out put Current	: 800 mA
Power rating	: 18 Watt
Sound Output	: 112 db
Terminals	: 4 x 4 sq mm
Earthing : External	: 2 Nos. - M6
: Internal	: 1 No. - M5

Description

Weather proof Multi-tone Audio Visual Alarm with integral terminal chamber. The sounder unit and lamp unit either LED cluster or Xenon lamp are interconnected. The unit is duly wired up to the terminals for wiring through WP cable glands. The covers are provided with neoprene 'O' ring for weatherproof protection.(IP - 65) Suitable for interfacing with Fire Alarm / Gas detection Systems / Telephone ring sounder.

GA Drawing



All dimensions are in mm

Type of protection	Weatherproof
Area Classification	IP 65
Apparatus Standard	IS - 13947/1993/IEC 60529 / 1989

Salient Features

This unit incorporates a Telephone line interfaced audio visual alarm with the following facilities.

- A** Xenon Flashing system
- B** Melodious high volume ring tone outputs. Optionally can be used as a Hooter.
- C** Stainless steel mounting accessories.
- D** DPST Switch can be provided optionally to switch OFF / ON the Hooter along with fuse.

1

2

3

4

IF IN DOUBT ASK

DO NOT SCALE

A

A

B

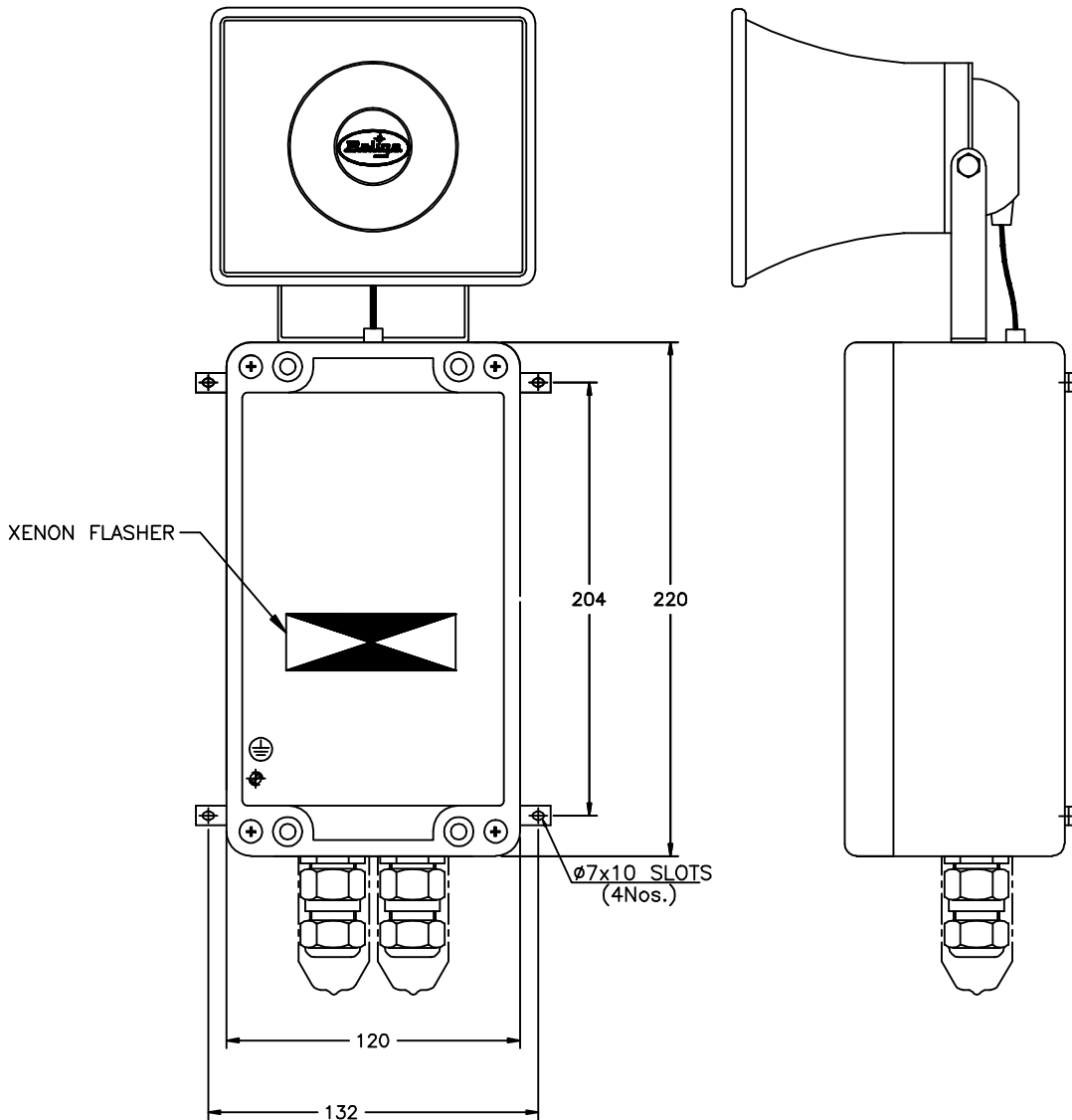
B

C

C

D

D



ALL DIMENSIONS ARE IN MM.

CABLE ENTRY 2Nos. M16X1.5P WP CABLE GLAND: 2Nos. M16X1.5P BRASS NI.PLATED DOUBLE COMPRESSION TYPE GLAND WITH CHECKNUT WITH PVC SHROUD MAX CABLE OD : 16mm	CUSTOMER :	TITLE : WEATHERPROOF AUDIO VISUAL ALARM			
	CONSULTANT : -	CAT No. : WP-117			
	PROJECT : -	CLASSIFICATION : IP65			
	P.O No.: -	WT:- (APPROX.)	MATL :- FRP	ITEM No:	QTY:
	FINISH : GREY	TOLERANCE : ±5mm SCALE N.T.S		FOR INFORMATION ONLY	
IS:12063/87 (IEC:60529/89)		NAME	DATE		
		REV-1			
		REV-2		SHEET 1 OF 1	
		DRN. S.S	19.05.09	DRG. No.	REV 0
		CHKD. SS	19.05.09	QEWP110001	
		APPD.			



Baliga Lighting Equipments Private Limited,
 KOVILAMBAKKAM, CHENNAI-600 117, INDIA.

1

2

3

4

F

F