

## WP 111

WEATHER PROOF HOOTER WITH FLASHER



### Mechanical Data

Material	: Glass Fibre Reinforced polyester (Box) Steel (Horn)
Weight	: 1.5 Kg (Approx.)
IP Protection	: IP 65 as per IS 13947 / 1993 / IEC 60529 / 1989
Finish	: Silver Grey.
Cable Entry	: 1 x 3/4" ET from bottom.
Gasket	: Neoprene
Hardware	: Stainless Steel - 304

### Electrical Data

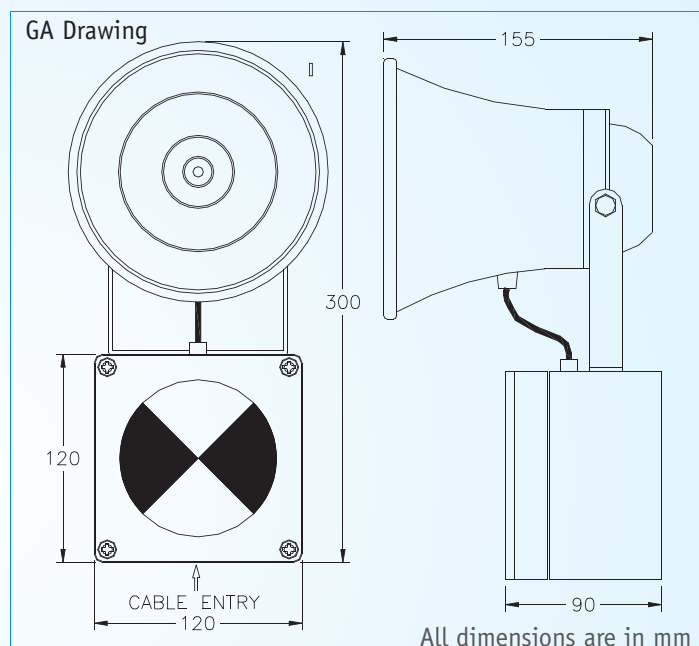
Voltage	: 24 V DC or 110 V / 230 V AC - 50 Hz
Current	: 900 mA at 24 V DC Input
Power Rating	: 25 Watt With LED Cluster.
Sound Output	: 108 dB
Lamp	: LED Cluster Type.(Red )
Frequency	: 556 Khz to 750 KHz
Terminals	: 4way 2.5 sq.mm terminal block.
Earthing	: Internal : 1 No. - M5

### Optional Features

1. Filament Type Lamp or Xenon Lamp can also be used.
2. Compatibility with telephone Interface for to flash while telephone is Ringing.
3. Four kind of Tones can be supplied on request, with adjustable with dip switches.

## Description

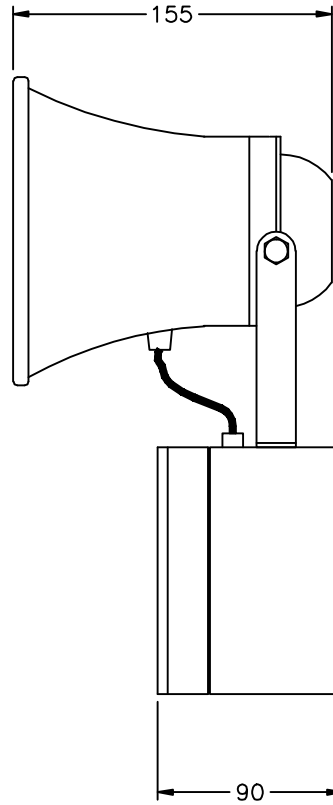
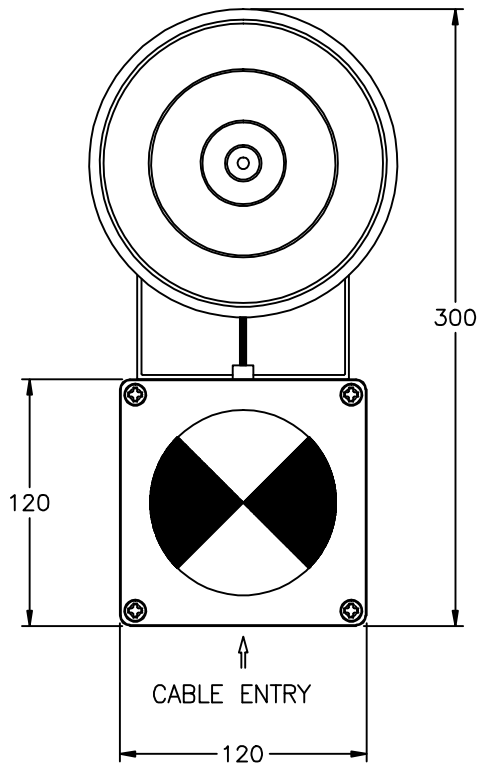
**W**eather Proof Hooter of FRP construction. A separate horn unit is mounted and it is interconnected. An encapsulated PCB, transformer and 4 way terminal strips are placed inside the enclosure. The Horn unit cable passes through the box with the help of grommet and duly wired up to terminal strips at the bottom. One no. of 3/4" ET cable entry for supply. In between the FRP cover and body the neoprene 'O' ring is placed in the groove to provide weather proofing. The Weather proof Hooter can also be supplied in two tones or four tones on specific request.



Type of protection	Weatherproof
Area Classification	IP 65
Apparatus Standard	IS - 13947 / 1993 / IEC 60529 / 1989
Wattage Rating	25 W

### Salient Features


1. High Sound Output.
2. FRP Enclosure Corrosion Proof.
3. Long lasting LED Cluster.
4. Cover with captive Screws.
5. Very Light weight



**NOTES:**

INPUT VOLTAGE – 230V AC  
 TOTAL POWER INPUT – 25W  
 HARDWARE – SS304

ALL DIMENSIONS ARE IN MM.

<b>CABLE ENTRY:-</b> 1No. 0.75 ET	CUSTOMER :		TITLE : WEATHERPROOF HOOTER CUM FLASHER			
	CONSULTANT :		CAT NO : WP-111			
	PROJECT :		CLASSIFICATION: IP65			
	P.O No.:		WT:APPROX. 2Kgs.	MATL: FRP	ITEM No :	QTY :
	FINISH : GREY		TOLERANCE : ±5mm		FOR INFORMATION ONLY	
IS:12063/87 (IEC:60529/89)		SCALE N.T.S				
		NAME	DATE			
		REV-1				
		REV-2		SHEET 1 OF 1		
 <b>Baliga Lighting Equipments Private Limited,</b> KOVILAMBAKKAM, CHENNAI-600 117, INDIA.		DRN.	S.S	08.05.09	DRG. NO.	REV
		CHKD.			QWEP111001	0
		APPD.				