

WP 108

WEATHER PROOF HOOTER



Mechanical Data

| | |
|---------------|--|
| Material | : Glass Fibre Reinforced polyester (Box) Steel (Horn) |
| Weight | : 1.5 Kg (Approx.) |
| IP Protection | : IP 65 as per IS 13947 / 93 (IEC 60529 / 1987) |
| Finish | : Silver Grey , RAL - 700. |
| Cable Entry | : 1 x 3/4" ET from bottom. |
| Gasket | : Neoprene |
| Hardware | : Stainless Steel - 304 |

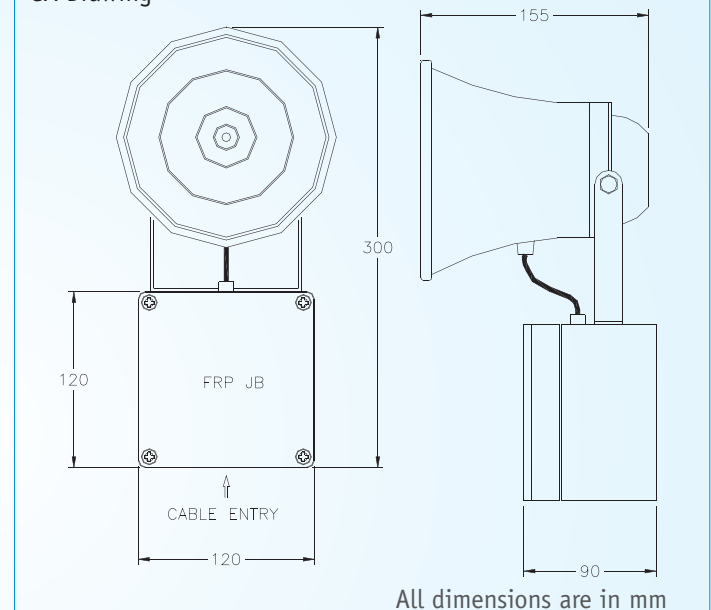
Electrical Data

| | |
|--------------|---------------------------------------|
| Voltage | : 24 V DC or 110 V / 230 V AC - 50 Hz |
| Current | : 900 mA at 24 V DC Input |
| Power Rating | : 18 Watt |
| Temperature | : 42 ° C While Operating. |
| Sound Output | : 112 dB |
| Frequency | : 556 KHz to 750 KHz |
| Terminals | : 4 way 2.5 sq.mm terminal block. |
| Earthing | : Internal : 1 No. - M5 |

Description

Weather Proof Hooter of Glass FRP construction. A separate horn unit is mounted and it is interconnected. An encapsulated PCB, transformer and 4 way terminal strips are placed inside the enclosure. The Horn unit cable passes through the box with the help of grommet and duly wired up to terminal strips at the bottom. Two nos. Of 3/4" ET cable entries (one entry is plugged) for supply. In between the FRP cover and body the neoprene ' O' ring is placed in the groove to provide weather proofing. The Weather proof Hooter can also be supplied in two tones or four tone on specific request.

GA Drawing



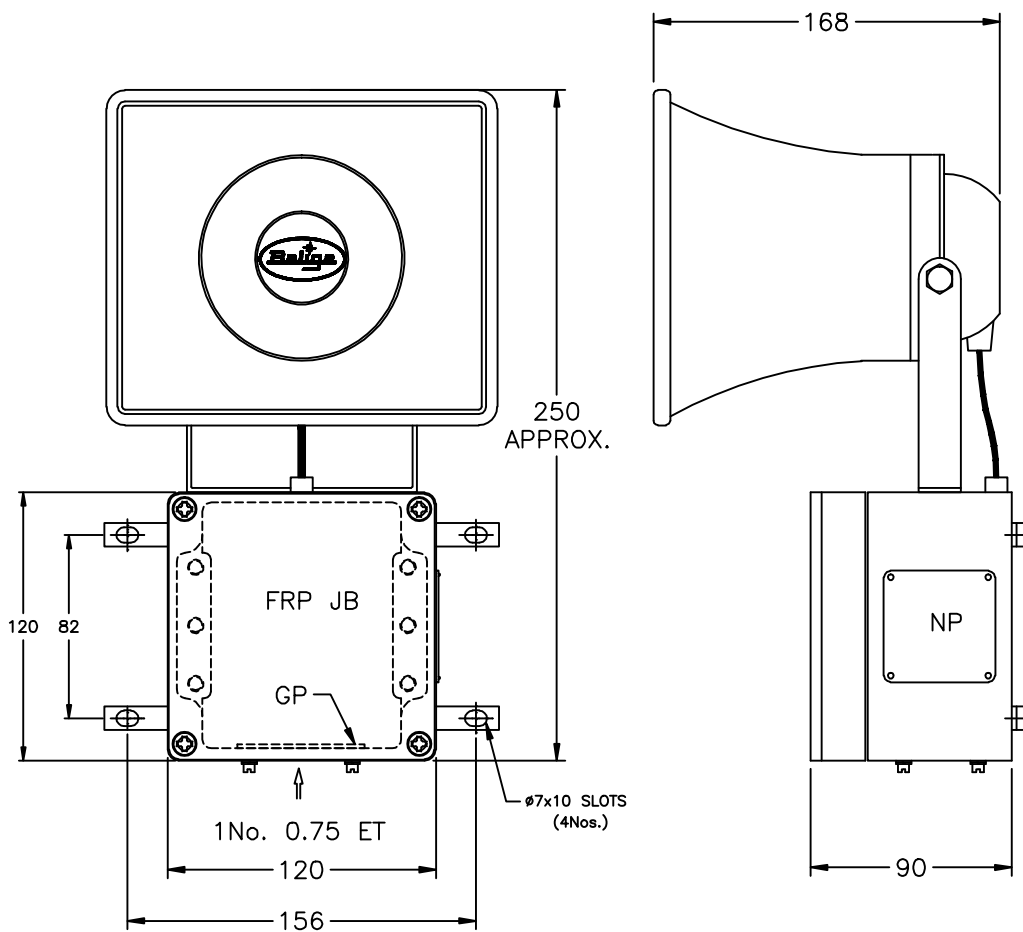
| | |
|---------------------|--------------------------------------|
| Type of protection | Weatherproof |
| Area Classification | IP 65 |
| Apparatus Standard | IS - 13947 / 1993 / IEC 60529 / 1989 |
| Wattage Rating | 18 W |

Salient Features

- A** High Sound Output (up to 112 dB) with adjustable volume.
- B** Four kind of Tones can be supplied on request.

IF IN DOUBT ASK

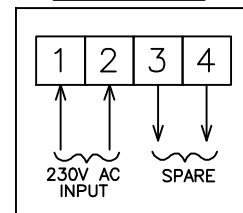
DO NOT SCALE



NOTES:

- TL - 2.5Sq.mm 4WAY STRIP CONNECTOR
- INPUT - 230V AC 50Hz. SUPPLY
- HORN - 112db (APPROX), 18W
- GP - GLAND PLATE (BRASS)
- HARDWARE - SS304
- NP - NAME PLATE (SS)

WIRING DETAILS:-



ALL DIMENSIONS ARE IN MM.

| | | | | | | |
|--|---------------------------|-------------|-----------------------------|---------------------|--------------|-------|
| | CUSTOMER : | - | TITLE : WEATHERPROOF HOOTER | | | |
| | CONSULTANT : | - | CAT NO : WP-108 | | | |
| | PROJECT : | - | CLASSIFICATION: IP65 | | | |
| | P.O No.: | - | WT: - | MATL: FRP | ITEM No : | QTY : |
| | FINISH : | GREY | TOLERANCE : ±5mm | | FOR APPROVAL | |
| | | SCALE N.T.S | | | | |
| | S:12063/87 (IEC:60529/89) | NAME | DATE | | | |
| | | REV-1 | | | | |
| | | REV-2 | | | SHEET 1 OF 1 | |
| | | DRN. S.S | 08.05.09 | DRG. NO. QEWP108001 | REV 0 | |
| | | CHKD. | | | | |
| | | APPD. | | | | |



Baliga Lighting Equipments Private Limited,
KOVILAMBAKKAM, CHENNAI-600 117, INDIA.