

## WP 3000

WEATHERPROOF WALL MOUNTABLE TELEPHONE



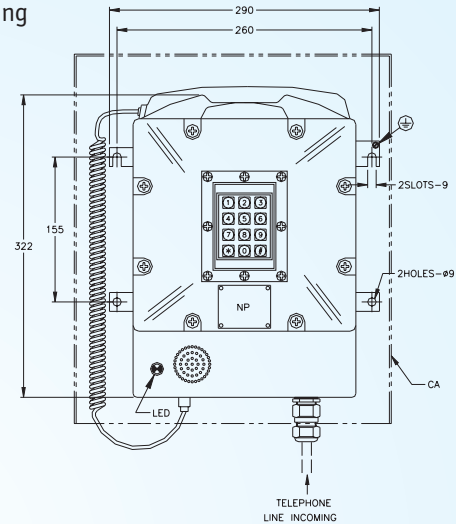
### Mechanical Data

Material	: Cast Aluminium / LM6
Weight	: 7.0 Kg (Approx.)
IP Protection	: IP 65 as per IS 13947 / 1993 / IEC 60529 / 1989
Finish	: Anti Corrosive Epoxy - Powder Coated
Cable Entry	: 1 x 3/4" ET (Max.)
Gasket	: Neoprene
Hardware	: Stainless Steel
Mounting	: Wall mounting with supplied Brackets
Power	: Line Powered

### Description

**W**eather Proof Telephone is designed for wall mounting and suitable for outdoor installation. Telephone enclosure is made of Aluminium alloy casting which has suitable entries for wiring through weather proof cable glands. Gaskets are provided for weather proof protection. The PCB is housed inside the chamber and the keypad is wired up through a sealed nipple.

GA Drawing



All dimensions are in mm

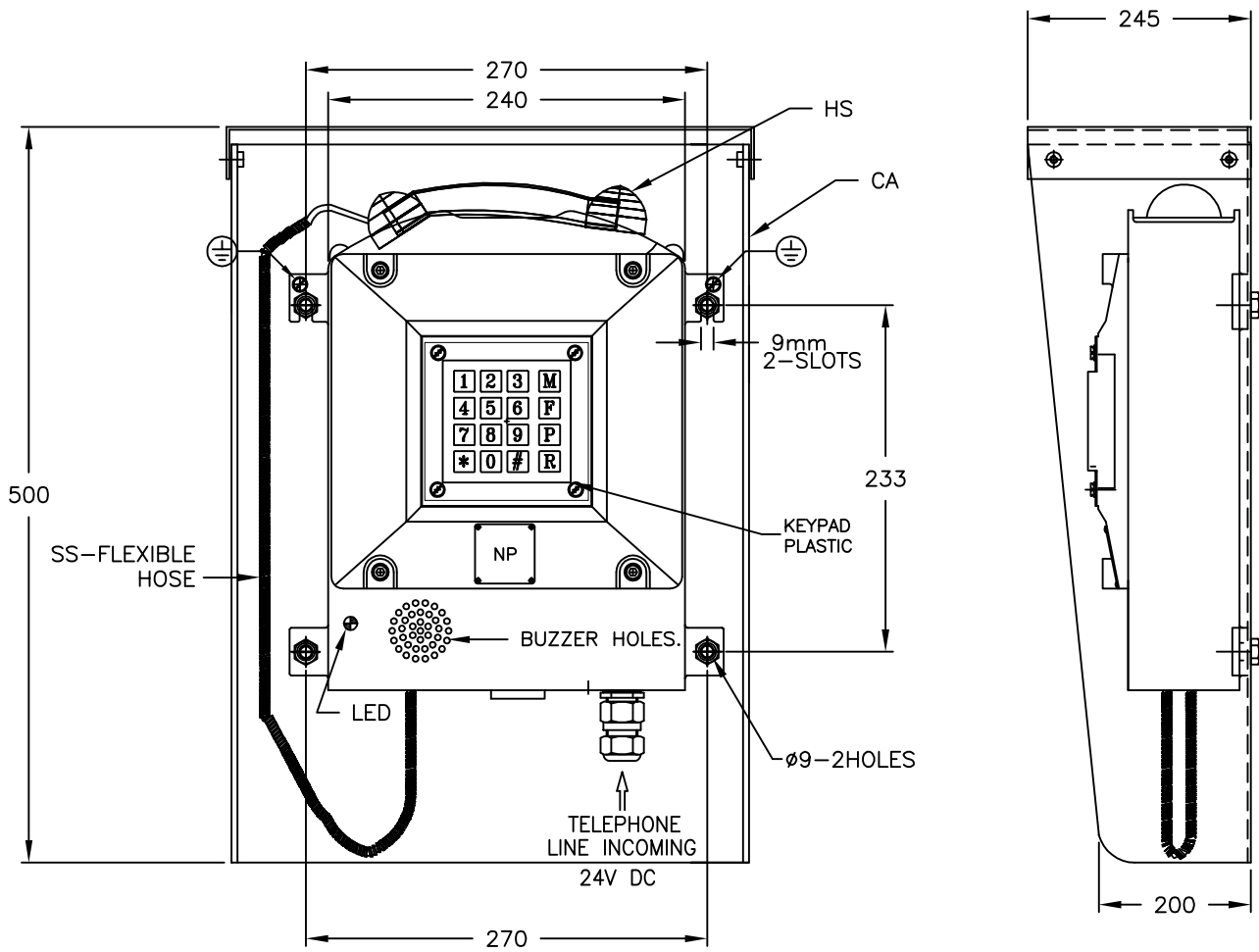
Type of protection	Weatherproof
Area Classification	IP 65
Apparatus Standard	IS - 13947 / 1993 / IEC 60529 / 1989

### Salient Features

- A** LED for indicating incoming calls.
- B** Metallic Dialpad
- C** Lighted Metallic Dial Key pad (Optional)
- D** Magnetic reed Switch activated handset
- E** Stainless Steel Flexible cord protects the wire to hand set (Optional)
- F** Electronics coated with lacquer to prevent moisture

IF IN DOUBT ASK

DO NOT SCALE



**NOTES:**

- TL - 4WAY TERMINAL BLOCK
- NP -NAME & WARNING PLATE (SS)
- CA - CANOPY (MS, EPOXY POWDER COATED)
- EARTHING - 2Nos. EXTERNAL (M6) & 1No. INTERNAL (M5 - WITH 2.5sq.mm LUG PROVIDED)
- 2Nos. 10sq.mm LUGS, SUITABLE FOR TERMINATION OF 8 SWG GI WIRE (EXTERNAL) PROVIDED
- HARDWARES -SS304
- HS - HANDSET

ALL DIMENSIONS ARE IN MM.

E	<b>CABLE ENTRY :</b> 1No. 0.75 ET <b>Exd. CABLE GLAND:-</b> 1No. 0.75 ET Br. Ni. PLATED DOUBLE COMPRESSION TYPE CABLE GLAND. MAX CABLE OD : 20mm 1No Exd Br. Ni. PLATED PLUG	CUSTOMER :	TITLE : WEATHERPROOF TELEPHONE			
			CAT No : WP-3000			
F		PROJECT :	CLASSIFICATION : IP65			
		P.O No. :	WT: 4.5 Kgs (APPROX.)	MATL.: AL.LM-6	ITEM No.:	QTY.:
		FINISH : EPOXY POWDER COATED DARK ADMIRALITY GREY (SHADE- 632) OF IS:5	TOLERANCE : ±5mm		FOR APPROVAL	
		IS:12063/87 (IEC:60529/89)	SCALE	N.T.S		
		REV-1	NAME	DATE	SHEET 1 OF 1	
		REV-2				
		DRN.	S.S	19.03.09		DRG. No.
			CHKD.		QE30000001	0
			APPD.			



**Baliga Lighting Equipments Private Limited,**  
 KOVILAMBAKKAM, CHENNAI-600117, INDIA.