

EPSS 627

FLAME PROOF PLUG & SOCKET



Mechanical Data

Material	: Aluminium LM6
Weight	: 6.5 Kg
IP Protection	: IP 65 IS:2148-2004 (IEC 60079-1/2001)
Finish	: Anti corrosive epoxy powder coated
Cable Entry	: 2 x 3/4 " ET
Mounting	: Wall mounting
Gasket	: Neoprene
Hardware	: Stainless Steel

Electrical Data

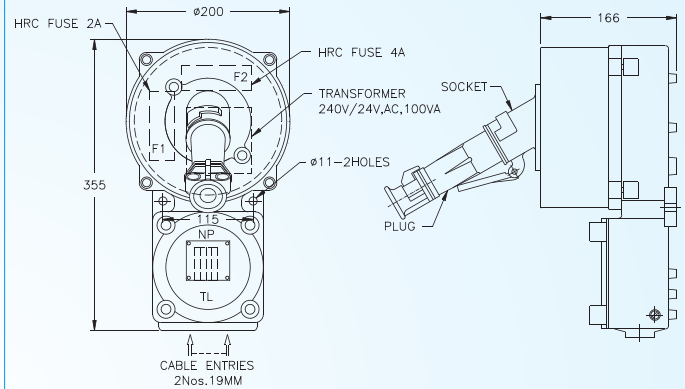
Voltage	: 24 V , 50 Hz AC
Current	: 16 A
No. Of Poles	: Single Pole
No. Of Pins	: P + N + E
Earthing	: External : 2 Nos - M6 Internal : 1 No - M5

Description

Explosion proof plug and socket with an integral terminal chamber. A switch is interlocked with the socket such that it is not possible to remove the plug without switching OFF or to insert the plug in the ON position.

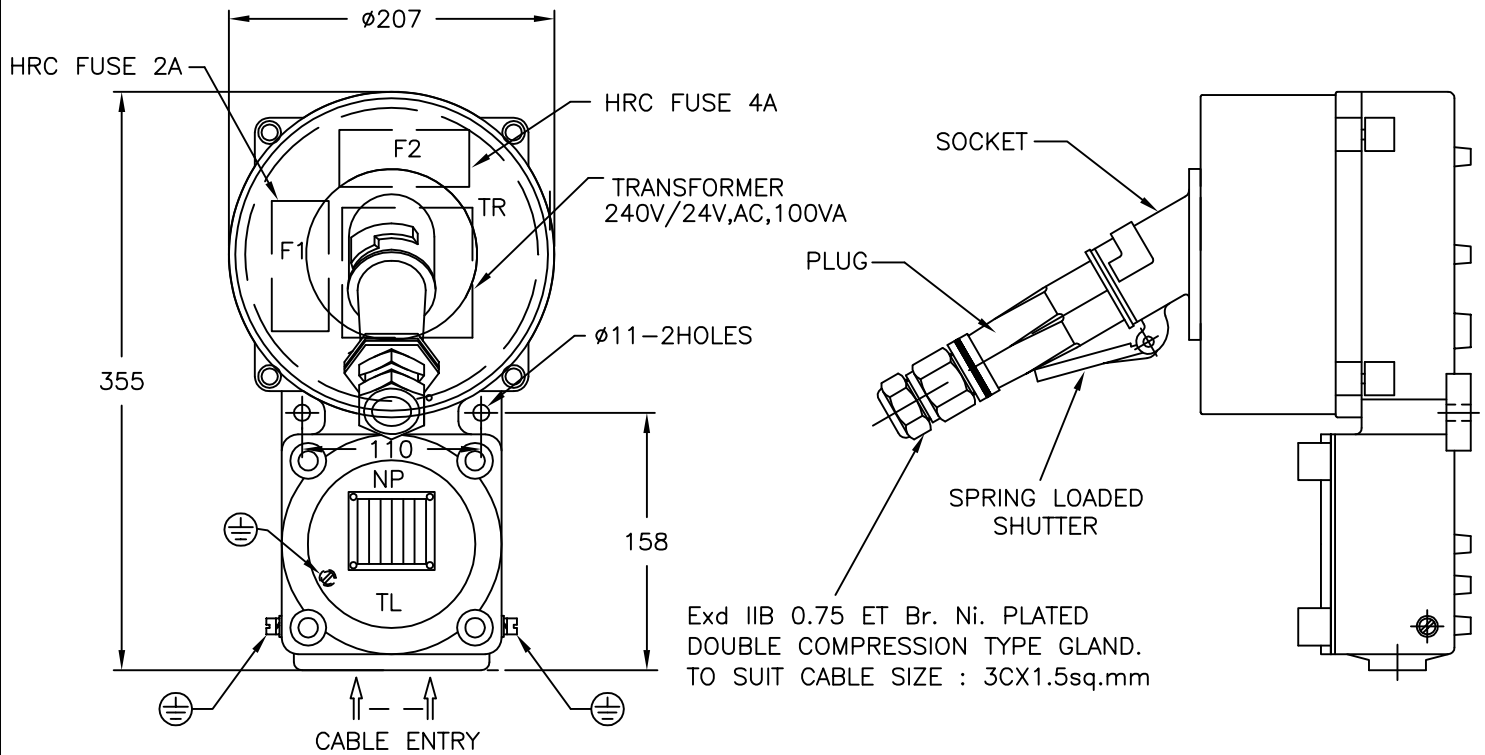
A spring loaded shutter protects the socket when not in use. The enclosures are precision machined to facilitate smooth and reliable contact of the pins. Quality neoprene gaskets provide reliable weatherproof protection.

GA Drawing



All dimensions are in mm

Type of protection	Flame Proof - Exd
Area Classification	Zone 1 & 2
Gas Groups	Group I, II A ,II B
Apparatus Standard	IS:2148-2004 (IEC 60079-1/2001)
CMRI Certificate No.	CMRI / TC / P / H 897
Approvals	CCE, BIS



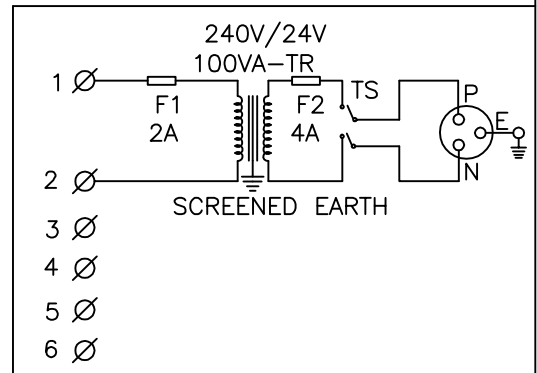
NOTES:

- PLUG RATING – 16A 24V AC
- SWITCH RATING – 16A 24V AC
- SO – SOCKET OUTLET 24V 16A (2P+E)
- TL– 6Nos. 2.5sq.mm SPRING LOADED TERMINAL– ELMAX MAKE
- GASKET –NEOPRENE
- NP –NAME & WARNING PLATE (SS)
- EARTHING – 2Nos. EXTERNAL (M6) & 1No. INTERNAL (M5)
- HARDWARE –SS304

SWITCH AND PLUG & SOCKET ARE MECHANICALLY INTER LOCKED:–

- * TO PREVENT THE OPERATION OF SWITCH WITHOUT PLUG
- * TO PREVENT REMOVAL OF PLUG IN "ON" CONDITION

WIRING DIAGRAM



ALL DIMENSIONS ARE IN MM.

CABLE ENTRY 2Nos. 0.75 ET	CUSTOMER :	TITLE : EXPLOSIONPROOF/WP 16A 3PIN SWITCH SOCKET(P+N+E)			
	CONSULTANT :	CAT No. : EPSS-627			
	PROJECT :	CLASSIFICATION: Exd IIA, IIB & IIC IP65 ZONE 1&2			
	P.O No.:	WT: 6.5Kgs (APPROX.)	MATL: AL. LM-6	ITEM No.:	QTY.:
	FINISH : EPOXY POWDER COATED LIGHT GREY (SHADE-631) OF IS:5	TOLERANCE : ±5mm SCALE N.T.S		FOR APPROVAL	
CMRI: CERTIFICATE WILL BE PROVIDED ALONG WITH DELIVERY	IS:13346/04 (IEC:60079-0/00)	NAME	DATE		
	IS:1248/04 (IEC:60079-1/01)	REV-1			
	IS:12063/87 (IEC:60529/89)	REV-2		SHEET 1 OF 1	
Baliga Lighting Equipments Private Limited, KOVILAMBAKKAM, CHENNAI-600 117, INDIA.	DRN.	S.S	24.02.09	DRG. No.	REV
	CHKD.			QE62700001	0
	APPD.				