

EPSS 1563- 61

FLAME PROOF PLUG & SOCKET



Mechanical Data

Material	: Aluminium LM6
Weight	: 20 Kg (Socket) + 1.0 Kg (Plug)
IP Protection	: IP 65
Finish	: Anti corrosive epoxy powder coated
Cable Entry	: 2 x 1 1/4" ET
Mounting	: Wall mounting
Gasket	: Neoprene
Hardware	: Stainless Steel (SS-304)

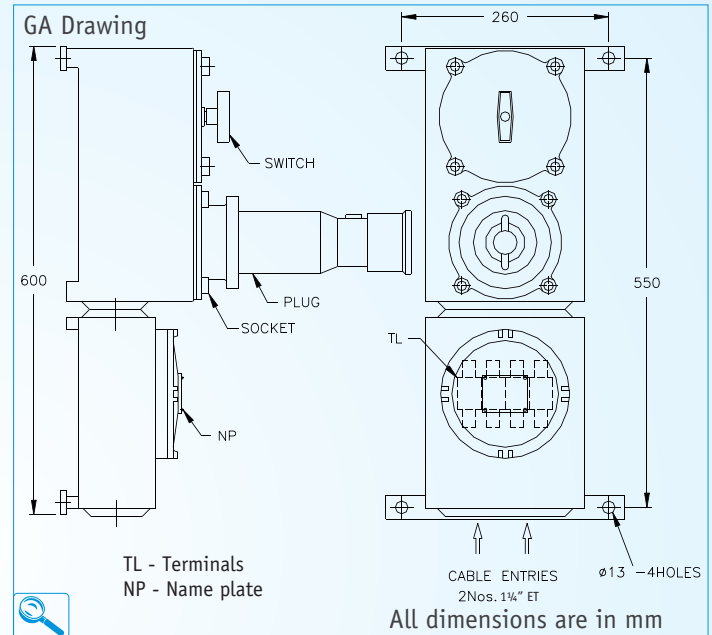
Electrical Data

Voltage	: 415 V , 50 Hz AC
Current	: 63 A
No. Of Poles	: 5 Pole
No. Of Pins	: 3P + N + E
Earthing	: External : 2 Nos - M6 Internal : 1 No - M5

Description

Explosion proof plug and socket with an integral terminal chamber. A switch is interlocked with the socket such that it is not possible to remove the plug without switching OFF or to insert the plug in the ON position.

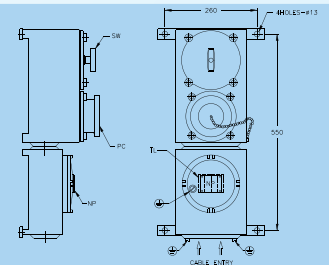
A shutter protects the socket when not in use. The enclosures are precision machined to facilitate smooth and reliable contact of the pins. Quality neoprene gaskets provide reliable weatherproof protection.



Type of protection	Flame Proof - Exd
Area Classification	Zone 1 & 2
Gas Groups	Group I, II A ,II B
Apparatus Standard	IS - 2148 / 81
CMRI Certificate No.	CMRS / TC / 647
Approvals	CCE

Options Available:

EPSS 1563- Socket only



EPSS 1561- Plug only

