

## WP 121209 - WP 402512

WEATHERPROOF FRP JUNCTION BOX



### Mechanical Data

- Material : FRP
- Weight : Refer the dimension chart
- IP Protection : IP 65
- Finish : Grey
- Cable Entry : Refer cable entry chart
- Cover Fixing : Bolted
- Hinge : Stainless Steel.
- Gasket : Neoprene
- Hardware : Stainless Steel

### Electrical Data

- Terminals : Refer Chart
- Earthing : External : 2 Nos - M6  
Internal : 1 No - M5
- Terminal Blocks : Glass Fibre reinforced DMC

### Cable entry chart

Entry size (Inches)			WP 121209		WP 221209		WP 161609		WP 261609		WP 252512		WP 402512	
BSC	NPT / BSP	Metric (mm)	A /B	C /D	A /B	C /D	C /D	A /B	C/D	A/B	C/D	A/B	C/D	A/B
0.50	0.25	M 16 X 1.5	2	2	7	2	4	4	11	4	10	12		
0.75	0.50	M 20 X 1.5	2	2	6	2	3	3	7	3	9	9		
1.0	0.75	M 25 X 1.5	1	1	4	1	2	2	5	2	4	4		
1.25	1.0	M 32 X 1.5	-	-	3	1	2	2	4	1	3	3		
1.50	1.25	M 40 X 1.5	-	-	-	-	-	-	3	1	2	3		
2.0	1.50	M 48 X 1.5	-	-	-	-	-	-	-	-	-	-		
2.5	2.0	M 63 X 1.5	-	-	-	-	-	-	-	-	-	-		

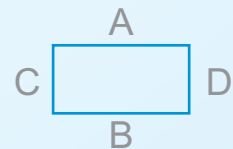
### Description

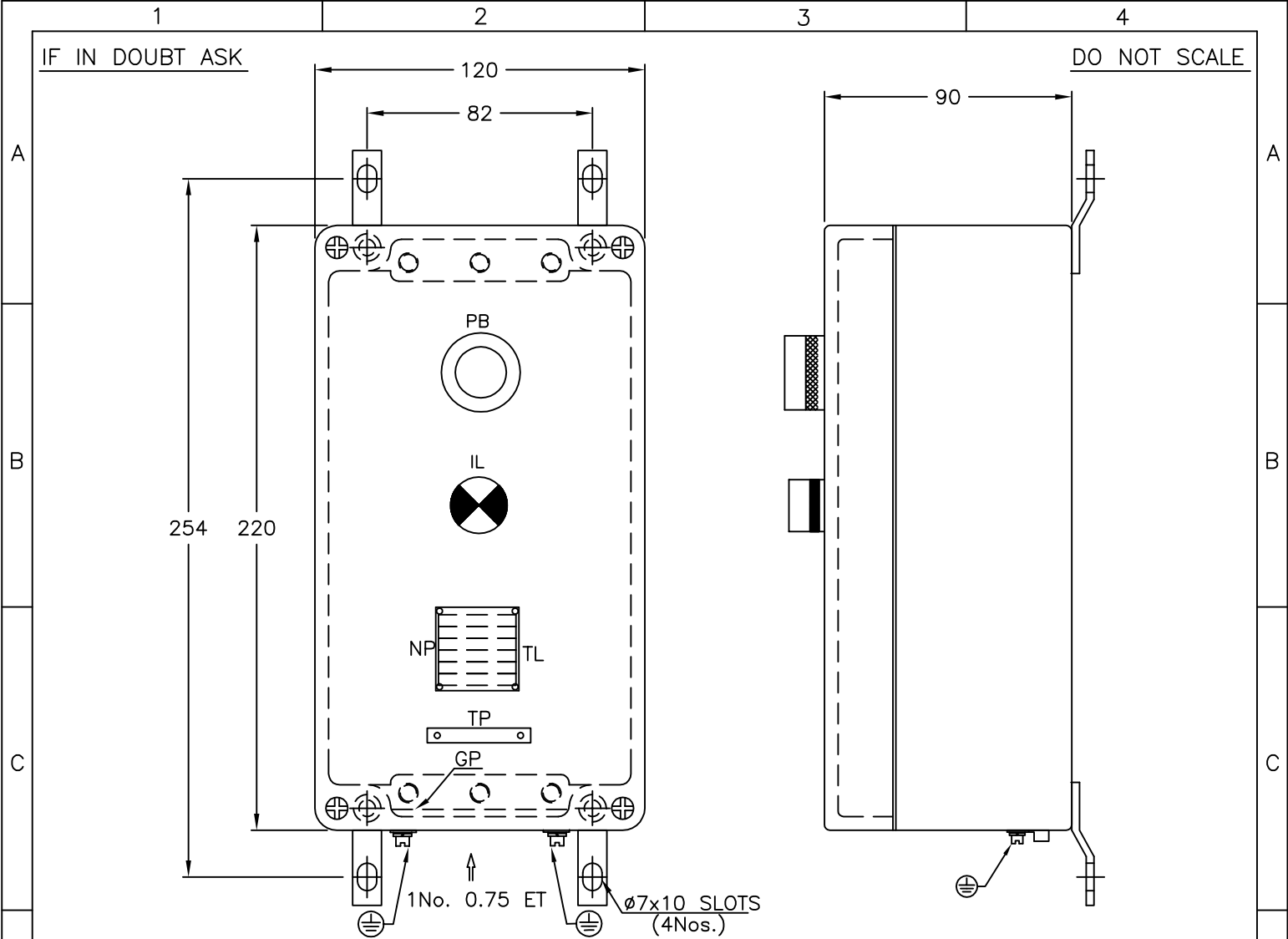
Weatherproof restricted breathing type of junction boxes, fitted with anti-vibration terminals to suit circuit requirements. A wide combination of cable entries for different sizes is possible (Please refer the chart given below). A continuously moulded gasket ensures reliable weather proof protection.

Type of protection	Weatherproof - Wp
Area Classification	Safe Area
Apparatus Standard	IS - 8224

Cat.No.	Internal Dimn.	Weight
WP 121209	120 X 120 X 90 mm	745 g
WP 221209	220 X 120 X 90 mm	1060 g
WP 161609	160 X 160 X 90 mm	1275 g
WP 261609	260 X 160 X 90 mm	1700 g
WP 252510	255 X 250 X 120 mm	2600 g
WP 402512	400 X 250 X 120 mm	3600 g

### Dimension Chart

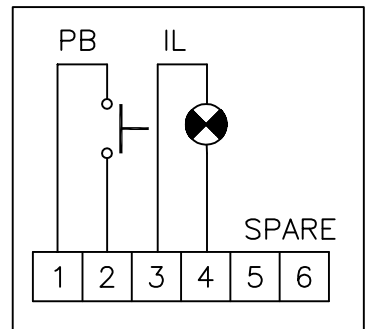




**NOTES:**

- PB - PUSHBUTTON (GREEN) (1NO)
- PUSH BUTTON ELEMENT RATINGS : 4A, 415V AC
- IL - INDICATING LAMP (RED) 24V DC
- TL - 6Nos 2.5SQMM TERMINALS ELMEX MAKE
- NP - NAME PLATE (SS)
- TP - TAG PLATE (PERSPEX)
- EARTHING - 2Nos.EXTERNAL & 1No.INTERNAL
- HARDWARE - SS304
- GP - GLAND PLATE BRASS

**WIRING DIAGRAM**

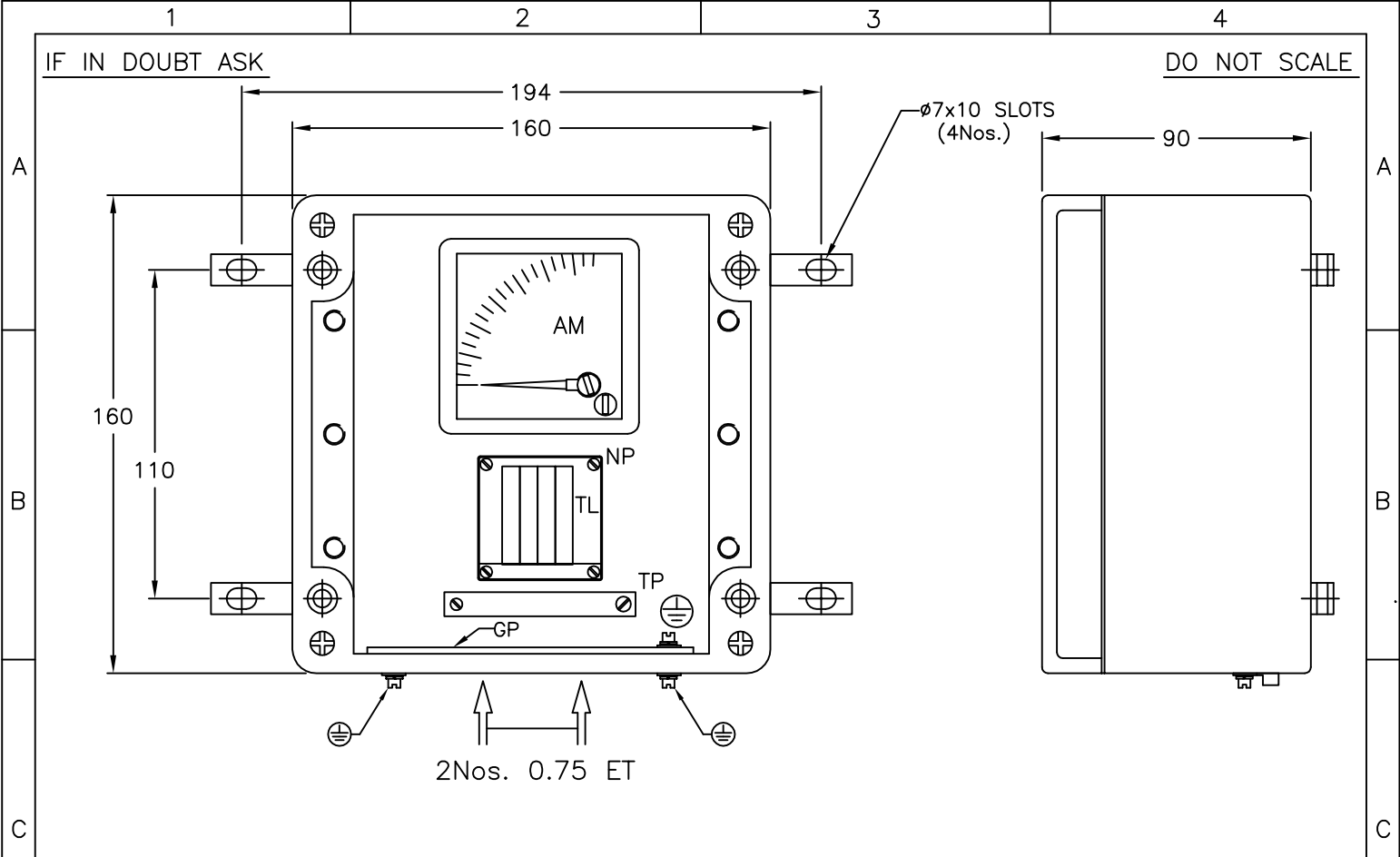


ALL DIMENSIONS ARE IN MM.

E	CUSTOMER :	TITLE : WEATHERPROOF CONTROL STATION				
	CONSULTANT :	CAT NO : WP-221209C				
F	PROJECT :	CLASSIFICATION : IP65				
	P.O No. :	WT:1.06Kgs (APPROX)	MATL : FRP	ITEM.No:	QTY:	
	FINISH : GREY	TOLERANCE : ±5mm		FOR INFORMATION ONLY		
		SCALE N.T.S				
	IS:12063/1987 (IEC:60529/1989)	NAME	DATE	SHEET 1 OF 1		
		REV-1				
		REV-2				
		DRN.	S.S	14.03.09	DRG. NO.	REV
		CHKD.			QE22120901	0
		APPD.				



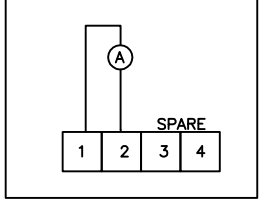
**Baliga Lighting Equipments Private Limited,**  
KOVILAMBAKKAM, CHENNAI-600 117, INDIA.



**NOTES:**

- AMMETER - 72sq.mm AMMETER, (CLASS OF ACCURACY : 1.5), 90 DEFLECTION 6 TIMES SUPPRESSED SCALE. (CUSTOMER TO FURNISH AMMETER DETAIL)
- TL - 4Nos. 2.5Sq.mm MICRO TERMINALS (ELMEX MAKE)
- NP - NAME PLATE & WARNING PLATE (SS)
- TP - TAG PLATE (AL. ANODIZED)
- EARTHING - 2Nos.EXTERNAL & 1No.INTERNAL
- HARDWARE - SS304
- GP - GLAND PLATE BRASS

WIRING DIAGRAM



ALL DIMENSIONS ARE IN MM.

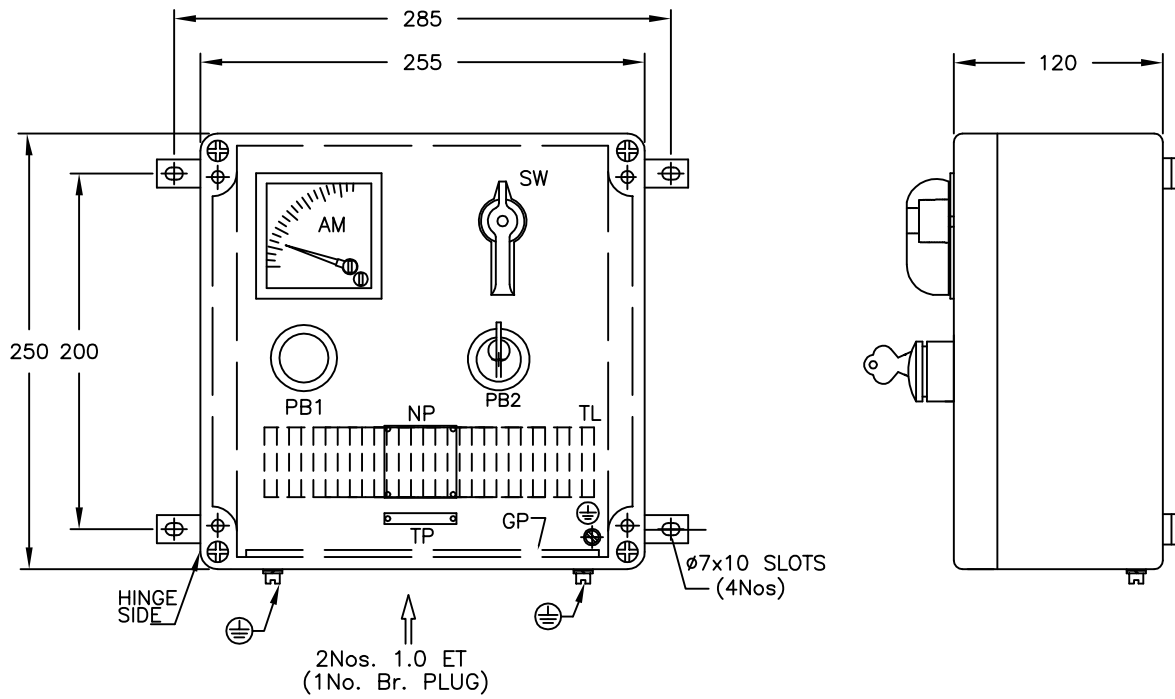
E	CUSTOMER :		TITLE : WEATHERPROOF CONTROL STATION			
	CONSULTANT :		CAT NO : WP-161609C			
F	PROJECT :		CLASSIFICATION : IP65			
	P.O No. :		WT:2.5 KGS (APPROX)	MATL : FRP	ITEM.No:	QTY:
F	FINISH : GREY		TOLERANCE : ±5mm		FOR INFORMATION ONLY	
	IS:12063/87 (IEC:60529/89)		SCALE N.T.S			
			NAME	DATE		
		REV-1			SHEET 1 OF 1	
		REV-2			DRG. NO.	
		DRN.	S.S	14.03.09	REV	
		CHKD.			QE16160901	
		APPD.			0	



**Baliga Lighting Equipments Private Limited,**  
KOVILAMBAKKAM, CHENNAI-600 117, INDIA.

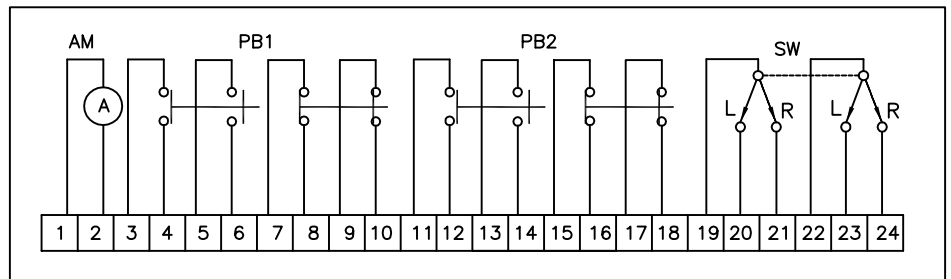
IF IN DOUBT ASK

DO NOT SCALE



**NOTES:**

- AM - 72SQ.MM AMMETER (ACCURACY CLASS:1.0, 6TIMES SUPPRESSED SCALE, 90° DEFLECTION) REFER CHART (MAKE AE/MECO)
- PB1 - START PUSH BUTTON (GREEN)
- PB2 - STOP PUSH BUTTON (RED), MUSHROOM HEAD WITH KEYLOCKING ARRANGEMENT  
PUSH BUTTON ELEMENT RATING: (4A 415V AC) (2NO+2NC) (MAKE : TEKNIC)
- SW - 6A, DP, 2P SELECTOR SWITCH (LOCAL/REMOTE) (MAKE : KAYCEE/SWITRON)
- TL - 24Nos. 2.5SQ.MM TERMINALS CLIP ON TYPE (ELMEX-MAKE)
- NP - NAME PLATE (SS)
- TP - TAG PLATE (PERSPEX) (CUSTOMER TO FURNISH TAG DETAIL IF ANY)
- EARTHING - 2Nos.EXTERNAL & 1No.INTERNAL
- GP - GLAND PLATE (BRASS)
- HARDWARE - SS304
- GASKET - NEOPRENE



ALL DIMENSIONS ARE IN MM.

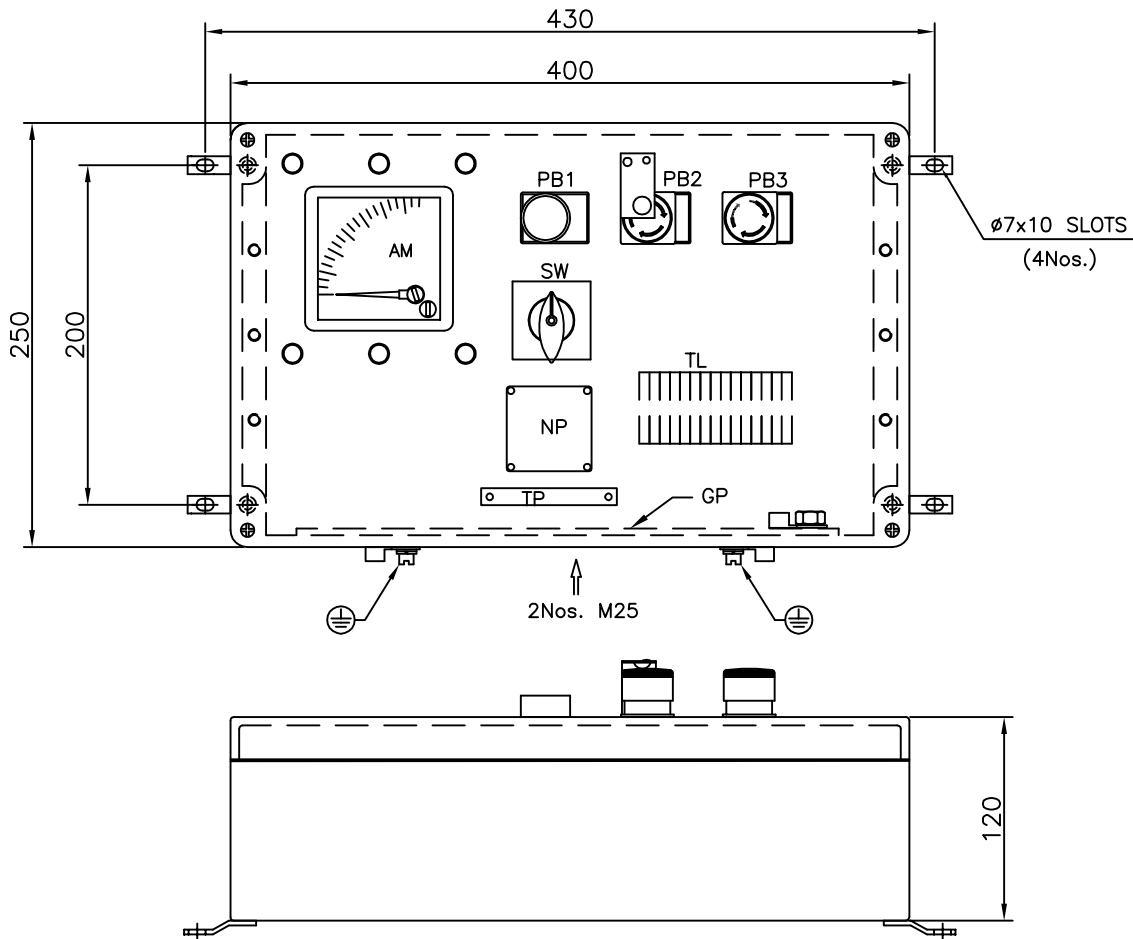
CUSTOMER :	TITLE :		WEATHER PROOF CONTROL STATION	
	CONSULTANT :	CAT NO :		WP-252512C
PROJECT :	CLASSIFICATION :		IP65	
PO No. :	WT: 1.06Kgs (APPROX)	MATL : FRP	ITEM.No:	QTY:
FINISH : GREY	TOLERANCE : ±5mm		FOR APPROVAL	
	SCALE N.T.S			
IS:12063/87 (IEC:60529/89)		NAME		
	REV-1			
	REV-2			
	DRN.	S.S	14.03.09	DRG. NO.
	CHKD.			REV
	APPD.			QE25251201 0



**Baliga Lighting Equipments Private Limited,**  
KOVILAMBAKKAM, CHENNAI-600 117, INDIA.

IF IN DOUBT ASK

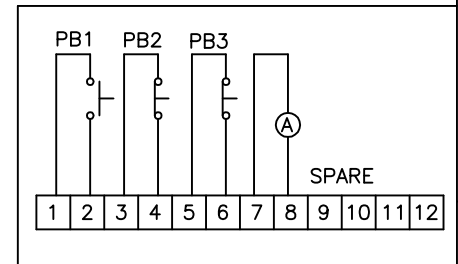
DO NOT SCALE



NOTES:

- AM - 72Sq.mm AMMETER, (CLASS OF ACCURACY: 1.5), 6 TIMES SUPPPRESSED SCALE,90 DEGREE DEFLECTION (CUSTOMER TO FURNISH AMMETER DETAIL)
- PB1 - START PUSH BUTTON (GREEN)
- PB2 - STOP PUSH BUTTON (RED) MUSHROOM HEAD WITH STAYPUT & PADLOCKING ARRANGEMENT
- PB3 - EMERGENCY STOP BUTTON (RED) MUSHROOM HEAD WITH STAYPUT ARRANGEMENT
- PUSH BUTTON ELEMENT RATING: 4A, 415V AC, (1NO + 1NC)
- TL - 12Nos. 2.5Sq.mm. MICRO TYPE TERMINALS (ELMEX MAKE)
- NP -NAME & WARNING PLATE (SS)
- TP - TAG PLATE (PERSPEX) ( CUSTOMER TO FURNISH TAG DETAILS IF ANY)
- GA - GLAND PLATE
- EARTHING - 2Nos. EXTERNAL & 1No. INTERNAL
- HARDWARE - SS304

WIRING DIAGRAM



ALL DIMENSIONS ARE IN MM.

CUSTOMER :	TITLE : WP CONTROL STATION			
	CONSULTANT :		CAT NO : WP-402512C	
PROJECT :	CLASSIFICATION : IP-65			
P.O No. :	WT: 1.06Kgs (APPROX)	MATL : FRP	ITEM.No:	QTY:
FINISH : GREY	TOLERANCE : ±5mm		FOR APPROVAL	
	SCALE N.T.S			
IS:12063/87 (IEC:60529/89)	NAME	DATE		SHEET 1 OF 1
	REV-1			
	REV-2			
	DRN. S.S	14.03.09	DRG. NO.	
	CHKD.		QE40251201	0
	APPD.			



Baliga Lighting Equipments Private Limited,  
 KOVILAMBAKKAM, CHENNAI-600 117, INDIA.