



The Flow Experts



BALIGA ORIFICE ASSEMBLY

Orifice Flanges as per ANSI B16.5/ ANSI B16.36 /ANSI B16.47 standards upto 1200NB (48) size and pressure rating upto 2500 lbs. Flange types such as WNRF, SORF, SWRF, WNRJ are available.

Each assembly is supplied with required studs/nuts, jack bolts, gaskets and 1/2NPT plugs. IBR certified flanges are also available for steam application.

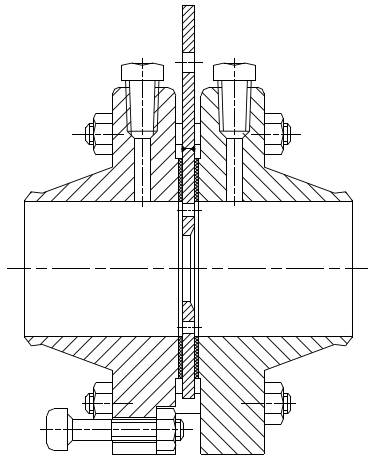
Standard material of Flanges: Forged Carbon Steel, Alloysteel and Stainless Steel.

Standard material of Studs: ASTM193 Gr.B7/A194 Gr.2H. Other materials available on request.

Standard material of Gasket: CAF, Spiral wound, Teflon, Graphite and other materials available on request.

The following types of tappings can be offered.

- FLANGE TAPS - widely used for most of the applications.
- CORNER TAPS - used for line size less than 50 NB(2).
- RADIUS TAPS (D, D/2) - for line size 400 NB (16) and above.
- PIPE TAPS (2.5 D, 8 D) - for line size 600 NB (24) and above.



BALIGA ORIFICE PLATE HOLDER

Plate holders are offered for Ring Type Joint (RJ) flanges in both oval and octagonal type for high pressure application. Orifice Plate is fixed in the plate holder using overlapping lock screws.

The material of the plate holder is selected in such a way that the hardness value is less than the flange material to ensure a perfect sealing. Plate holders are available in Soft Iron, Alloy Steel and Stainless Steel material

