

FLPW 1245 F

FLAME PROOF ALARM FLASHER



Mechanical Data

| | |
|---------------|---|
| Material | : Aluminium LM6 |
| Weight | : 6.0 Kg (Approx.) |
| IP Protection | : IP-65 to IS 12063/1987 (IEC 60529/1989) |
| Finish | : Anti corrosive epoxy powder coated |
| Cable Entry | : 2 X (3/4 " ET / 0.5" NPT / BSP / M20) |
| Glass | : Toughened Borosilicate type 'A ' |
| Suspension | : Type 'B' Ceiling bracket |
| Gasket | : Neoprene |
| Hardware | : Stainless Steel (SS-304) |

Electrical Data

| | |
|------------------|---|
| Voltage | V : 230 / 110 V 50 Hz AC , 24 V DC |
| Lamp Wattage | W : 8 W for LED / 21 W for filament type |
| Colour | : Red, Green or Amber |
| Wiring | : Fibreglass class F insulated 1.5 sq.mm Stranded copper |
| Max.Cable size | : 3 x 4 sq.mm |
| Int.Terminations | : 4 sq.mm crimping lugs |
| Insulators | : Glass fibre reinforced DMC |
| Earthing | : External 2 Nos - M6 Internal 1 No - M6 |

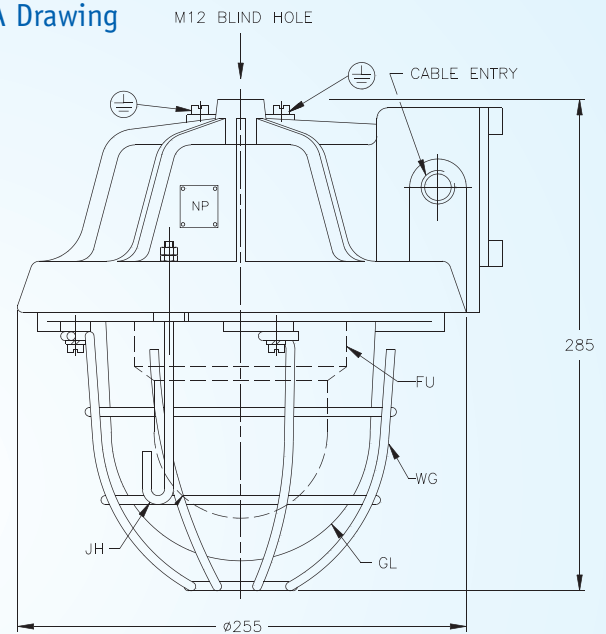
Salient Features

- a Field selectable flashing rates
 - i. Fast (2 flashes per second)
 - ii. Medium (1 flash per second)
 - iii. Slow (One flash per every two seconds)
 - iv. Steady mode

Description

Explosion proof Alarm flasher light with integral terminal chamber. A toughened borosilicate clear type 'A' glass is cemented to retaining ring and fixed to body by 4 nos. of hexagonal screws. The flasher lamp unit (Filament/LED) is housed inside the fitting. The colours available are Red, Green & Amber. The unit is wired up to 2 nos. Of bushes provided in the inner wall of the terminal chamber for wiring through the FLP cable glands. Neoprene 'O' rings are provided for weatherproof protection.

GA Drawing

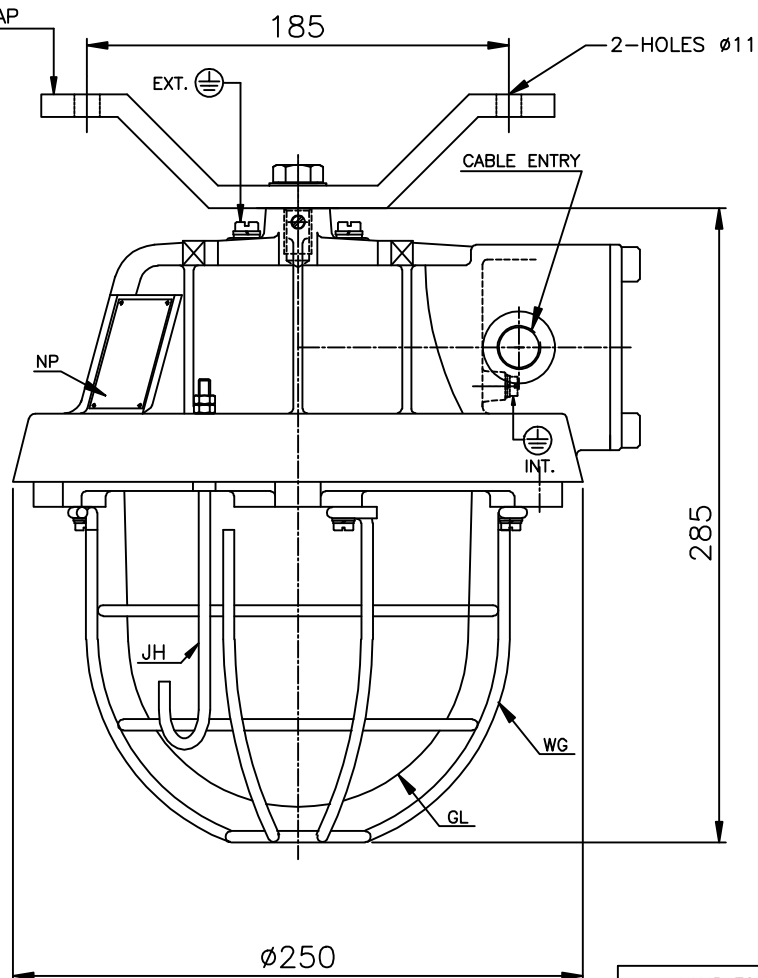


FU - Flasher unit WG - Wireguard
GL - Glass JH - 'J' Hook All dimensions are inn mm

| | |
|-----------------------|---|
| Type of protection | Flame Proof - Exd |
| Area Classification | Zone 1 & 2 |
| Gas Groups | Group I, II A ,II B & II C |
| Apparatus Standard | IIS:2148-2004 (IEC 60079-1/2001) IS- 2206 Part I |
| CIMFR Certificate No. | CIMFR/TC/SR/H295 & CIMFR/TC/SR/H490 |
| Approvals | CCE,BIS |

IF IN DOUBT ASK

DO NOT SCALE



NOTES:

- GL -WELLGLASS (TOUGHENED BOROSILICATE CLEAR GLASS TYPE"A")
- WG -WIRE GUARD (M.S, EPOXY POWDER COATED - WHITE COLOUR)
- JH - "J" HOOK
- LAMP TO SUIT - REFER TABLE
- LAMP HOLDER -ES PORCELAIN
- INTERNAL REFLECTOR - AL. POLISHED.
- NP - NAME & WARNING PLATE (SS)
- EARTHING -2Nos. EXTERNAL & 1No. INTERNAL
- HARDWARE -SS304

| LAMP TO SUIT | TEMP. CLASS |
|-------------------|-------------|
| 100W GLS-250V AC | T5 |
| 150W GLS-250V AC | T4 |
| 200W GLS-250V AC | T4 |
| 80W HPMV-250V AC | T5 |
| 125W HPMV-250V AC | T4 |
| 160W GLS-250V AC | T4 |

ALL DIMENSIONS ARE IN MM.

| | | | | | | |
|--|---|-------------|--|---------------|----------------------|-------|
| CABLE ENTRY: 2Nos. 0.75 ET | CUSTOMER : | - | TITLE : EXPLOSIONPROOFPROOF WELL GLASS LUMINAIRE | | | |
| | CONSULTANT : | - | CAT No. : FLPW-1245 | | | |
| | PROJECT: | - | CLASSIFICATION: Exd IIB IP65 ZONE 1&2 | | | |
| | P.O No.: | - | WT:6.5Kgs (APPROX.) | MATL:AL. LM-6 | ITEM No.: | QTY.: |
| | FINISH : EPOXY POWDER COATED LIGHT GREY(SHADE-(631 OF IS-5) | | TOLERANCE :±5mm | | FOR INFORMATION ONLY | |
| | | SCALE N.T.S | | | | |
| CMRI : CMRI/TC/709 DT:15.07.94 | IS:13346/04 (IEC:60079-0/00) | NAME | DATE | SHEET 1 OF 1 | | |
| CCE : R1(1)136/BALIGA/12-XVIII DT.24.12.2004 | IS:2148/04 (IEC:60079-1/01) | REV-1 | | | | |
| BIS : CM/L-0364341 | IS:12063/87 (IEC:60529/89) | REV-2 | | | | |
| Baliga Lighting Equipments Private Limited, KOVILAMBAKKAM, CHENNAI-600 117, INDIA. | | DRN. | S.S | 18.03.09 | DRG. NO. | REV |
| | | CHKD. | | | QE12450001 | 0 |
| | | APPD. | | | | |

केन्द्रीय खनन एवं ईंधन अनुसंधान संस्थान

(वैज्ञानिक तथा औद्योगिक अनुसंधान परिषद)
बरवा रोड, धनबाद - 826015, झारखण्ड (भारत)



ADDITIONAL 1st COPY

CENTRAL INSTITUTE OF MINING AND FUEL RESEARCH

Formerly : Central Mining Research Institute
(COUNCIL OF SCIENTIFIC & INDUSTRIAL RESEARCH)
BARWA ROAD, DHANBAD - 826015, JHARKHAND (INDIA)

REGISTERED POST/COURIER SERVICE

No. CIMFR/TC/SR/1490
I.D. No. 749/07

Dated: 18th September, 2008
CODE NO. FLP/204ZZG/08

To
M/S. BALIGA LIGHTING EQUIPMENTS PVT. LTD.,
389, MEDAVAKKAM ROAD,
KOVILAMBAKKAM,
CHENNAI-600 117

Sub: Supplementary Testing for **REVALIDATION** as per IS: 2148-2004 (IEC 60079-1/2001) of your enclosure for **Flameproof/Weatherproof (IP-65) Wellglass Lighting Fitting**, in cast aluminium alloy LM-6 construction designated by **Cat. No.: FLPW-1245** suitable for 250V AC (max.) , for use in Zone 1 & 2 and Gas Groups: I, IIA & IIB atmosphere only.

- Report on (REVALIDATION)

Your Ref. Appl. No.: CMRI/6/225/IIB Dated: 12/12/2007

Dear Sir,

Please find enclosed the Supplementary Test Report for **REVALIDATION** of the above sample as per IS: 2148-2004.

The above apparatus was earlier certified as per IS: 2148-1981 vide CMRI Test Report No. CMRI/TC/709 Dated: 15/07/1994 and subsequent supplementary/Addendum report nos. mentioned in the schedule of this report.

Charges of **Rs. 16, 562/- (Rupees Sixteen thousand Five hundred Sixty two only)** including applicable service charges involved towards the testing /issuing the schedule have been adjusted against the advance deposit made by you.

Kindly arrange to collect the sample within 90 days from the date of receipt of this letter failing which CIMFR would dispose off the samples by public auction without any further NOTICE to you.

Kindly acknowledge receipt.
Thanking you,

Yours faithfully,


(G. M. PRASAD)

HEAD OF THE DEPARTMENT
TESTING CELL

Encl.: As above
Suppl. Report for Revalidation in Triplicate
Copy to: 1. Head, Flame & Explosion Lab.
2. Bill Section.

Page 1 of 7

फोन - निदेशक Director
Ph. : 0091 326 2202326/2203043

पी० ए० एक्स PAX
Ph. : 0091 326 2296027/2296028/2296029/2296010/2296013

फैक्स FAX
Ph. : 0091 326 2296019/2202429/2204339/2203150

e-mail : dcmrips@yahoo.co.in, dcmri@csir.res.in. Website : www.cmriindia.nic.in
कार्यालय के दिन : सोमवार से शुक्रवार तक **Working days : Monday to Friday**