

S 300 Series

WEATHERPROOF LIGHTING JUNCTION BOX
 (125 mm dia X 65 mm depth with 3/4" or 1" Entries & 4 sq.mm clipon terminals)



Mechanical Data

- Material : Aluminium LM6
- Weight : 1.0 Kg
- IP Protection : IP 65
- Finish : Anti corrosive Epoxy powder coated
- Cable Entry : Maximum 4 x 1" ET
- Cover Fixing : Bolted
- Hinge : Stainless Steel.
- Gasket : Neoprene
- Hardware : Stainless Steel (SS-304)

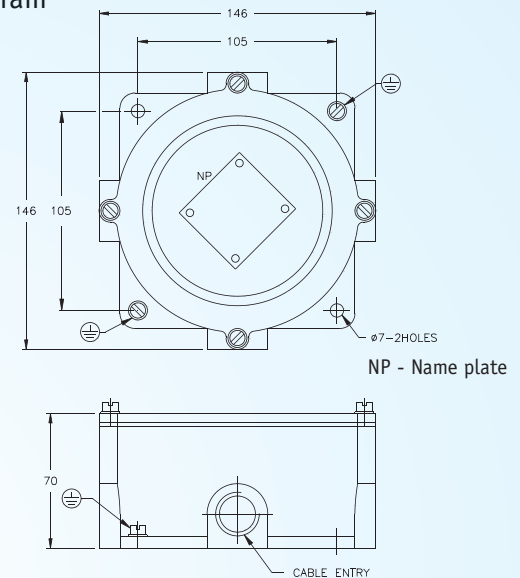
Electrical Data

- Terminals : Four way connector.
- Earthing : External : 2 Nos - M6
Internal : 1 No - M5
- Terminal Blocks : Glass Fibre reinforced DMC

Description

Weather proof lighting junction boxes available in three different models with bolted cover. Maximum of four entries can be provided in each of circuit branching. A terminal block with anti-vibration terminals is provided for safe and reliable termination of the cables. High quality neoprene gaskets ensure reliable weather proof protection.

GA Diagram



All dimensions are in mm

Type of protection	Weatherproof - Wp
Gas Groups	Safe Area
Apparatus Standard	IS - 13947/ 93

Cat.No.	Description	Weight
S 302/312	2 Way	1 Kg
S 303/313	3 Way	1 Kg
S 304/314	4 Way	1 Kg

Dimension Chart