

FPA 200 Series

FLAMEPROOF LIGHTING JUNCTION BOX.



Mechanical Data

- Material : Aluminium LM6
- Weight : 0.95 Kg
- IP Protection : IP 55
- Finish : Anti corrosive epoxy powder coated
- Cable Entry : Refer chart below
- Cover Fixing : Threaded
- Gasket : Neoprene
- Hardware : Stainless Steel (SS-304)

Electrical Data

- Terminals : 4 Nos. 4 mm²
- Earthing : External : 2 Nos - M6
Internal : 1 No - M5

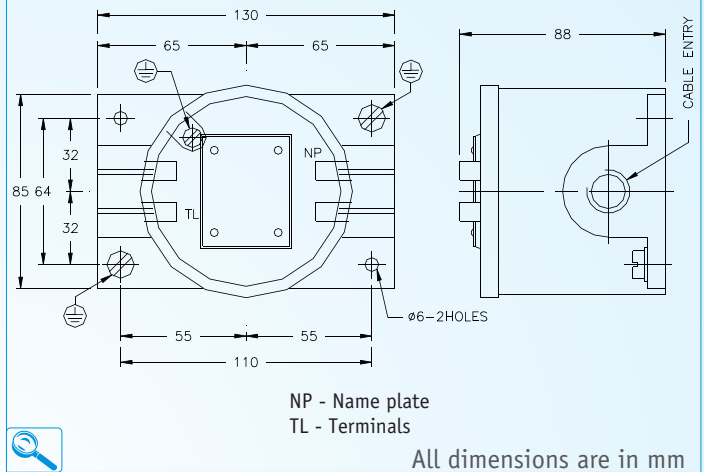
Cable Entry Chart

Entry Size (Inches)		
BSC	NPT/ BSP	Metric (mm)
0.50	0.25	M 16 X 1.5
0.75	0.50	M 20 X 1.5
1.00	0.75	M 25 X 1.5

Description

Explosion proof lighting junction boxes are available in three series with threaded, Spigotted or flanged covers. A maximum of 4 entries can be provided in each type of circuit branching. Four way terminal block or 4 nos. of 2.5 sq. mm is provided for termination of the conductors. Weatherproof protection is provided by high quality neoprene gaskets.

GA Drawing



Type of protection	Flame Proof - Exd
Area Classification	Zone 1 & 2
Gas Groups	Group I, II A ,II B & II C
Apparatus Standard	IS - 2148 / 81
CMRI Certificate No.	V / 1 / 1 / 60
Approvals	CCE

Cat.No.	Specification
FPA 202	2 Way - Threaded Cover
FPA 203	3 Way - Threaded Cover
FPA 204	4 Way - Threaded Cover