

FPC 220 Series

FLAMEPROOF LIGHTING JUNCTION BOX.



Mechanical Data

- Material : Aluminium LM6
- Weight : 1.8 Kg
- IP Protection : IP 55 to IS 2147
- Finish : Anti corrosive epoxy powder coated
- Cable Entry : Refer chart below
- Cover Fixing : Threaded
- Gasket : Neoprene
- Hardware : Stainless Steel

Electrical Data

- Terminals : 4 nos. 4 sq.mm
- Earthing : External : 2 Nos - M6
Internal : 1 No - M5

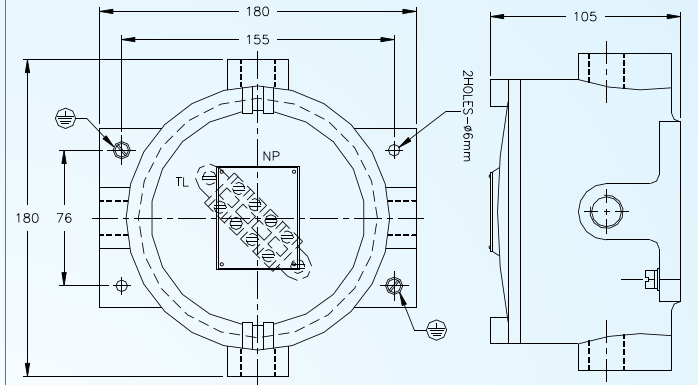
Cable Entry Chart

Entry Size (Inches)			Max no of entries on each side
BSC	NPT / BSP	Metric (mm)	
0.50	0.25	M16 x 1.5	1
0.75	0.50	M20 x 1.5	1
1.00	0.75	M25 x 1.5	1
1.25	1.00	M32 x 1.5	1
1.50	1.25	M40 x 1.5	1

Description

Explosion proof lighting junction boxes are available in three series with threaded, Spigotted or flanged covers. A maximum of 4 entries can be provided in each type of circuit branching. Four way terminal block is provided for termination of the conductors while the covers are provided with high quality gaskets for weather proof protection.

GA Drawing



NP - Name plate
TL - Terminals

All dimensions are in mm

Type of protection	Flame Proof - Exd
Area Classification	Zone 1 & 2
Gas Groups	Group I, II A ,II B & II C
Apparatus Standard	IS - 2148 / 81
CMRI Certificate No.	V / 1 / 1 / 1544
Approvals	CCE

Cat.No. Specification

FPC 222	2 Way - Threaded Cover
FPC 223	3 Way - Threaded Cover
FPC 224	4 Way - Threaded Cover