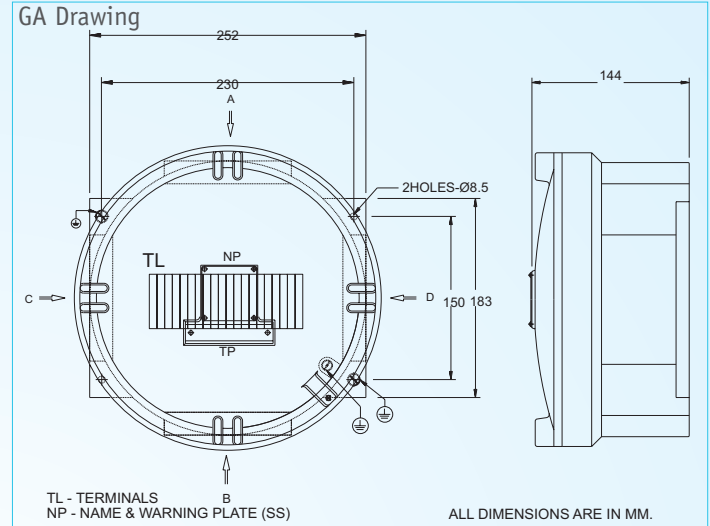


## FPJ 270

FLAMEPROOF LIGHTING JUNCTION BOX.  
INTERNAL DIMENSIONS : Ø250mmx125mm Depth

## Description

Explosion proof lighting junction box, available with threaded cover. Entries and terminals can be provided as per the respective charts given below. The cover is provided with high quality neoprene gaskets for weather proof protection.



## Mechanical Data

- Material : Aluminium LM6
- Weight : 6.4 Kg
- IP Protection : IP 65 as per IS:13947(part 1)-1993/IEC 60529/ 1989
- Finish : Anti corrosive Epoxy powder coated
- Cable Entry : Refer Chart Below
- Cover Fixing : Threaded
- Gasket : Neoprene
- Hardware : Stainless Steel (SS-304)

- Type of protection : Flame Proof - Exd
- Area Classification : Zone 1 & 2
- Gas Groups : Group I, II A, II B, II C
- Apparatus Standard : IS:2148-2004 (IEC 60079-1/2001)
- CMRI Certificate No. : TC/P/H845
- Approvals : CCE, BIS

## Electrical Data

- Terminals : Refer the terminal selection chart below.
- Earthing : External : 2 Nos - M6  
Internal : 1 No - M5

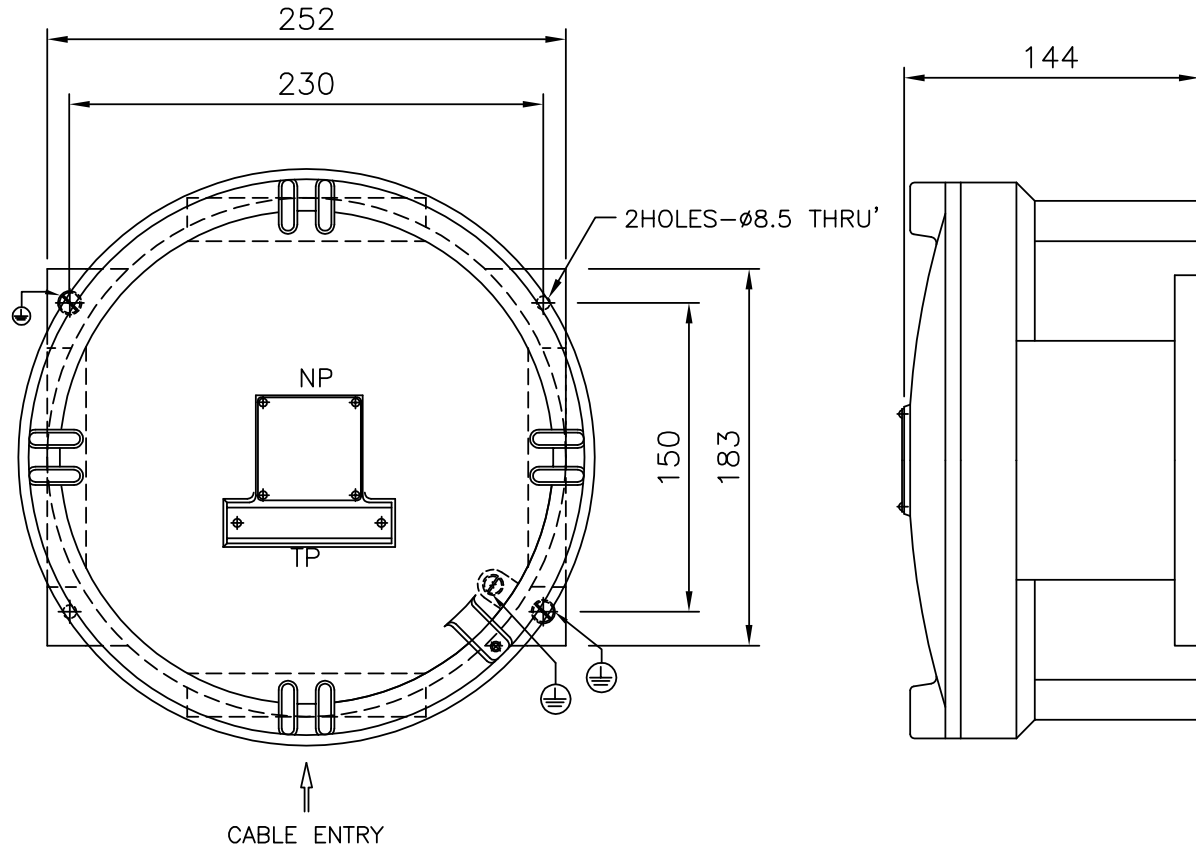
## Cable Entry Chart

Entry Size (Inches)			FPJ 240	
BSC	NPT / BSP	Metric (mm)	A/B	C/D
0.50	0.25	M 16 X 1.5	6	6
0.75	0.50	M 20 X 1.5	4	4
1.00	0.75	M 25 X 1.5	2	2
1.25	1.00	M 32 X 1.5	1	1
1.50	1.25	M 40 X 1.5	1	1

## Terminal Selection Chart

Cat. No Size	Channels Mm		Max no of terminals						Diagram 1	Diagram 2		
	Max length	Max no.	4 mm <sup>2</sup>	10 mm <sup>2</sup>	16 mm <sup>2</sup>	35 mm <sup>2</sup>	50 mm <sup>2</sup>	70 mm <sup>2</sup>			95 mm <sup>2</sup>	
FPJ 270 Inside dia:Ø 250	L	225	1	28	20	14	8	-	-	-	[Diagram 1: Terminal layout with diagonal lines]	[Diagram 2: Terminal layout with horizontal lines]
	B	225	1	28	20	14	8	-	-	-		

DO NOT SCALE



**NOTES:**

- NP - NAME & WARNING PLATE(SS)
- TP - TAG PLATE (PERSPEX) (CUSTOMER TO FURNISH TAG DETAILS IF ANY)
- EARTHING - 2Nos. EXTERNAL & 1No. INTERNAL
- HARDWARE - SS304
- GASKET - NEOPRENE

INTERNAL DIMENSIONS :  $\phi$ 250mmx125mm DEPTH

ALL DIMENSIONS ARE IN MM.

E	CUSTOMER :		TITLE : EXPLOSIONPROOF JUNCTION BOX			
	CONSULTANT :		CAT No. : FPJ-270			
F	PROJECT:		CLASSIFICATION : Exd IIC IP66 ZONE 1&2			
	P.O No.:		WT: 6Kgs (APPROX.)	MATL: LM-6	ITEM No.:	QTY.:
F	FINISH : EPOXY POWDER COATED LIGHT GREY (SHADE - 631 OF IS: 5)		TOLERANCE : $\pm$ 5mm		FOR APPROVAL	
	SCALE		N.T.S			
F	CMRI : CMRI/TC/P/H845 DT. 12.02.2007	IS :13346/04 (IEC:60079-0/00)	REV-1	NAME	DATE	SHEET 1 OF 1
	CCE : A/P/HQ/MH/104/1400 DT. 21.08.07	IS :2148/04(IEC:60079-1/01)	REV-2			
		IS :12063/87 (IEC:60529/89)	DRN.	S.S	31.01.09	DRG. No. QEFPJ27001
			CHKD.			REV 0
			APPD.			



**Baliga Lighting Equipments Private Limited,**  
KOVILAMBAKKAM, CHENNAI-600 117, INDIA.