

FPJ 620

FLAMEPROOF LIGHTING JUNCTION BOX.



Mechanical Data

- Material : Aluminium LM6
- Weight : 3.5 Kg (Approx.,)
- IP Protection : IP-65 as per IS 139747 (part 1) - 1993 / IEC 60529 / 1989
- Finish : Anti corrosive epoxy powder coated
- Cable Entry : Refer Chart Below
- Cover Fixing : Threaded
- Gasket : Neoprene
- Hardware : Stainless Steel (SS-304)

Electrical Data

- Terminals : Refer terminal selection chart
- Earthing : External : 2 Nos - M6
Internal : 1 No - M5

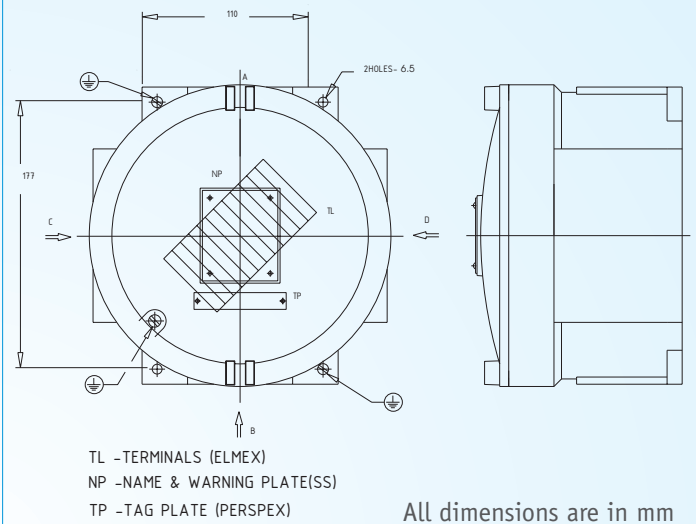
Cable Entry Chart

Entry Size (Inches)			FPJ 620	
BSC	NPT / BSP	Metric (mm)	A / B	C / D
0.50	0.25	M 16 X 1.5	4	4
0.75	0.50	M 20 X 1.5	2	2
1.00	0.75	M 25 X 1.5	2	2
1.25	1.00	M 32 X 1.5	1	1
1.50	1.25	M 40 X 1.5	1	1

Description

Explosion proof lighting junction boxes are available in three series with threaded. A maximum of 4 entries can be provided in each type of circuit branching. Four way terminal block is provided for termination of the conductors while the covers are provided with high quality gaskets for weather proof protection.

GA Drawing



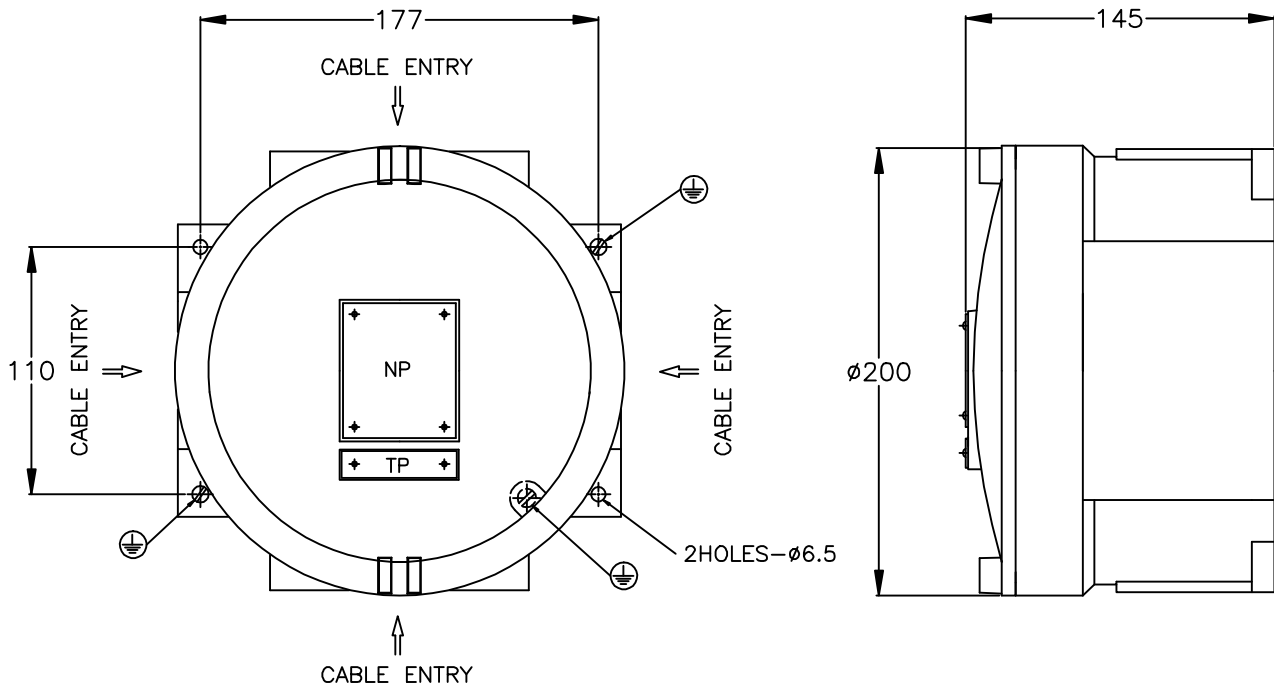
Type of protection	Flame Proof - Exd
Area Classification	Zone 1 & 2
Gas Groups	Group I, II A ,II B & II C
Apparatus Standard	IS-2148:2004(IEC 60079-1/2001)
CMRI Certificate No.	CIMFR/TC/SR/H956
Approvals	CCE,BIS

Terminal Selection Chart

Cat. No Size	Max no of terminals						
	4 mm ²	6 mm ²	10 mm ²	16 mm ²	35 mm ²	50 mm ²	70 mm ²
FPJ 620 Intl. Dim: Dia165*100mm depth	20	16	10	7	-	-	-

IF IN DOUBT ASK

DO NOT SCALE



NOTES:

- NP - NAME & WARNING PLATE(SS)
- TP - TAG PLATE (PERSPEX) (CUSTOMER TO FURNISH TGA DETAIL IF ANY)
- EARTHING - 2Nos. EXTERNAL (M6) & 1No. INTERNAL (M5)
- HARDWARE - SS304
- GASKET - NEOPRENE

INTERNAL DIMENSION: Ø165MMx100MM DEPTH
 ALL DIMENSIONS ARE IN MM.

	CUSTOMER :	TITLE : EXPLOSIONPROOF MULTIWAY JUNCTION BOX				
	CONSULTANT :	CAT No. : FPJ-624				
	PROJECT :	CLASSIFICATION : Exd IIC IP65 ZONE 1&2				
	P.O No.:	WT.: 3.5Kgs. (APPROX.)	MATL: AL. LM-6	ITEM No.:	QTY.:	
	FINISH : EPOXY POWDER COATED LIGHT GREY (SHADE-631) OF IS:5	TOLERANCE :±5mm.		FOR APPROVAL		
	SCALE N.T.S					
CMRI : CMRI/TC/P/H77 DT. 20.01.2000	IS:13346/04 (IEC:60079-0/00)	NAME	DATE	SHEET 1 OF 1		
CCE : A/P/HQ/MH/104/784 DT. 14.07.2004	IS:2148/04 (IEC:60079-1/01)	REV-1				
BIS : CM/L-0364341	IS:12063/1987 (IEC:60529/1989)	REV-2				
Baliga Lighting Equipments Private Limited, KOVILAMBAKKAM, CHENNAI-600117, INDIA.		DRN.	S.S	11.05.09	DRG. No.	REV
		CHKD.			QEFPJ62401	0
		APPD.				

केन्द्रीय खनन एवं ईंधन अनुसंधान संस्थान

(वैज्ञानिक एवं औद्योगिक अनुसंधान परिषद्)
बरवा रोड, धनबाद - 826001, झारखण्ड, भारत



ADDITIONAL FIRST COPY

Central Institute of Mining and Fuel Research

Formerly : Central Mining Research Institute,
(Council of Scientific & Industrial Research)
BARWA, ROAD, DHANBAD 826001 JHARKHAND, INDIA
REGISTERED POST/COURIER SERVICE

No. CIMFR/TC/SR/H989
I.D. No. 989/07

Dated: 21st February, 2008
CODE NO. FLP/221H/08

To
M/S. Baliga Lighting Equipments Pvt. Ltd.,
389, Medavakkam Road,
Kovilambakkam,
Chennai-600 117

Sub: Supplementary Testing for **REVALIDATION** as per IS: 2148-2004 (IEC 60079-1/2001) of your enclosure for **Flameproof cum Weatherproof Junction Box**, in cast aluminium alloy LM-6 construction designated by **Cat. No.: FPJ-264** for use in Zone 1 & 2 and Gas Groups: IIA & IIB atmosphere only.

- Report on (REVALIDATION)

Your Ref. Appl. No.: CMRI/6/254/IIB

Dated: 26/12/2007

Dear Sir,

Please find enclosed the **Supplementary Test Report** for **REVALIDATION** of the above sample as per IS: 2148-2004.

The above apparatus was earlier certified as per IS: 2148-1981 vide CMRI Test Report No. CMRI/TC/P/H1125, Dated: 21/01/1999.

Charges of **Rs. 6, 910/- (Rupees Six thousand Nine hundred Ten only)** including applicable service charges involved towards the testing/issuing the schedule have been adjusted against the advance deposit made by you.

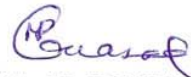
Kindly arrange to collect the sample within 90 days from the date of receipt of this letter failing which CIMFR would dispose off the sample by public auction without any further NOTICE to you.

Kindly acknowledge receipt.

Thanking you,

Yours faithfully,

Encl.: As above
Suppl. Report for Revalidation in Triplicate
Copy to: 1. Head, Flame & Explosion Lab.
2. Bill Section.


(G. M. PRASAD)
HEAD OF THE DEPARTMENT
TESTING CELL

Page 1 of 5

फोन - निदेशक Director

पी० ए० एक्स PAX

फैक्स FAX

Ph.: 0091 326 2202326/2203043

Ph.: 0091 326 - 2203010/2203070/2203090/2205045/2209041

0091-326-2201442/2202429/2204339/2203156

e-mail : dcmrips@yahoo.co.in, dcmri@csir.res.in . Website : www.cmriindia.nic.in

कार्यालय के दिन : सोमवार से शुक्रवार तक Working days : Monday to Friday