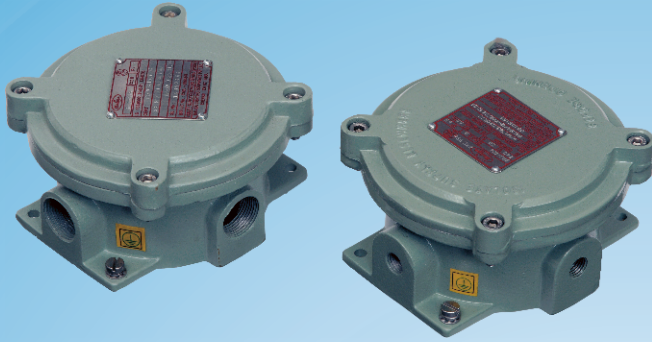


FPJ 400

FLAMEPROOF LIGHTING JUNCTION BOX.
(100 mm dia X 50mm with ¾" or 1" Entries & 4 sq.mm terminal blocks)



Mechanical Data

- Material : Aluminium LM6
- Weight : 1.4 Kg
- IP Protection : IP 65 IS:2148-2004 (IEC 60079-1/2001)
- emperature
- Class : T6
- Finish : Anti corrosive Epoxy powder coated
- Cable Entry : Refer Chart Below
- Cover Fixing : Threaded
- Gasket : Neoprene
- Hardware : Stainless Steel (SS-304)

Electrical Data

- Terminals : 6 nos. 4 sq.mm
- Earthing : External : 2 Nos - M6
Internal : 1 No - M5

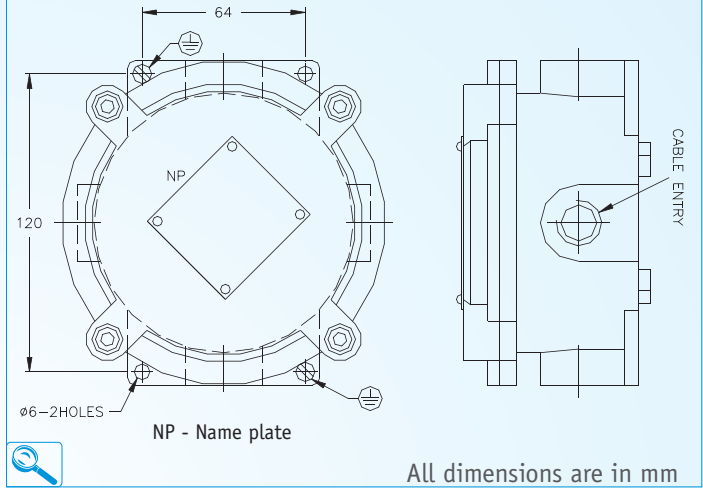
Cable Entry Chart

Entry Size (Inches)		
BSC	NPT / BSP	Metric (mm)
0.50	0.25	M 16 X 1.5
0.75	0.50	M 20 X 1.5
1.00	0.75	M 25 X 1.5

Description

Explosion proof lighting junction boxes are available in three series with threaded, spigotted or flanged covers. A maximum of 4 entries can be provided in each type of circuit branching. Four way terminal block is provided for termination of the conductors while the covers are provided with high quality gaskets for weather proof protection.

GA Drawing



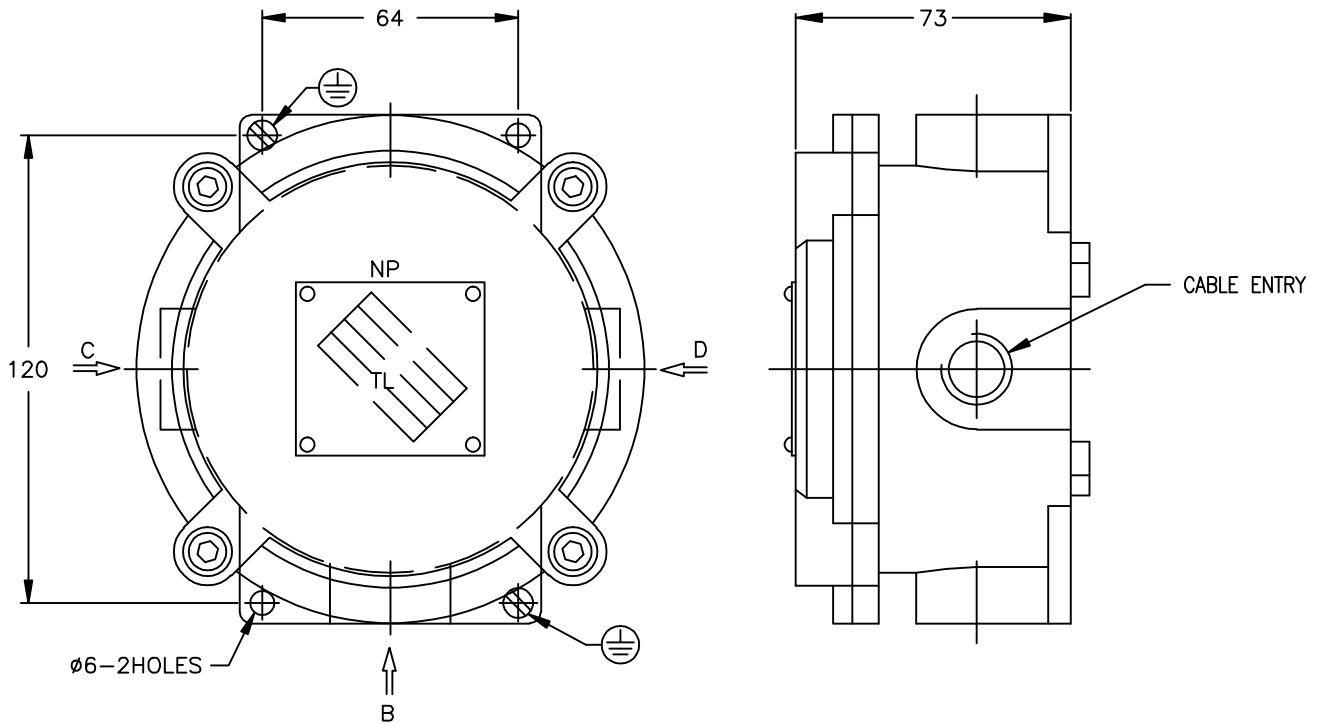
Type of protection	Flame Proof - Exd
Area Classification	Zone 1 & 2
Gas Groups	Group I, II A ,II B
Apparatus Standard	IS:2148-2004 (IEC 60079-1/2001)
CMRI Certificate No.	CIMFR/TC/SR/H250
Approvals	CCE, BIS

Cat.No. Specification

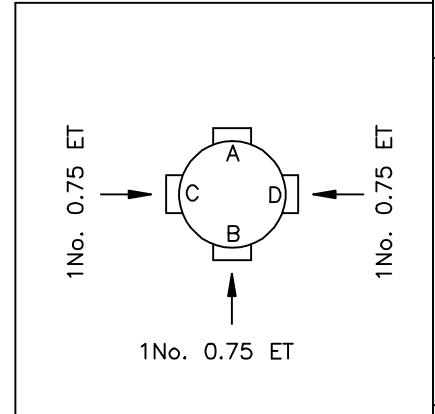
FPJ 402	2 Way (0.75" ET) - Flanged Cover
FPJ 403	3 Way (0.75" ET) - Flanged Cover
FPJ 404	4 Way (0.75" ET) - Flanged Cover
FPJ 412	2 Way (1.0" ET) - Flanged Cover
FPJ 413	3 Way (1.0" ET) - Flanged Cover
FPJ 414	4 Way (1.0" ET) - Flanged Cover

IF IN DOUBT ASK

DO NOT SCALE




ENTRY DIAGRAM



NOTES:

- TL - 4Nos. 4.0sq.mm TERMINAL - ELMEX MAKE
- NP -NAME & WARNING PLATE (SS)
- EARTHING -2Nos. EXTERNAL & 1No. INTERNAL
- HARDWARE -SS304
- GASKET - NEOPRENE

INTERNAL DIMENSION : $\phi 100\text{mm} \times 50\text{mm}$ DEPTH
 ALL DIMENSIONS ARE IN MM.

	CUSTOMER :	-	TITLE :				EXPLOSIONPROOF JUNCTION BOX	
	CONSULTANT :	-	CAT No. :				FPJ-403	
	PROJECT :	-	CLASSIFICATION :				Exd IIB IP65 ZONE 1&2	
	P.O No.:	-	WT.:2Kgs. (APPROX.)	MATL.: AL. LM-6	ITEM No.:	QTY.:		
	FINISH : EPOXY POWDER COATED DARK ADMIRALTY GREY(SHADE-632 OF IS:5)	TOLERANCE : $\pm 5\text{mm}$		SCALE : N.T.S		FOR APPROVAL		
CMRI : V/1/1/163 DT:02.05.72	IS :13346/04 (IEC:60079-0/00)	NAME	DATE					
CCE : R1(1)136/BALIGA/12-XVIII DT:24.12.2004	IS :2148/04(IEC:60079-1/01)	REV-1						
BIS : CM/L-036431	IS :12063/87 (IEC:60529/89)	REV-2			SHEET 1 OF 1			
 Baliga Lighting Equipments Private Limited, KOVILAMBAKKAM, CHENNAI-600 117, INDIA.	DRN.	S.S	08.05.09	DRG. NO.	REV			
	CHKD.			QE40300001	0			
	APPD.							

केन्द्रीय खनन एवं ईंधन अनुसंधान संस्थान

(वैज्ञानिक तथा औद्योगिक अनुसंधान परिषद)
बरवा रोड, धनबाद - 826 001, झारखण्ड, भारत



ADDITIONAL FIRST COPY

Central Institute of Mining and Fuel Research

Formerly : Central Mining Research Institute
(Council of Scientific & Industrial Research)
BARWA ROAD, DHANBAD-826 001, JHARKHAND, INDIA

REGISTERED POST/COURIER SERVICE

No. CIMFR/TC/SR/4250
I.D. No. 889/07

Dated: 10th July, 2008
CODE NO.FLP/204ZZI/08

To,
BALIGA LIGHTING EQUIPMENTS PRIVATE LIMITED,
63A, C.P. RAMASWAMY ROAD,
ALWARPET,
CHENNAI-600 018

Sub: Supplementary Testing for **REVALIDATION** as per IS: 2148- 2004 (IEC 60079-1/2001) of your **Flameproof & Weatherproof (IP-65) Junction Box**, bearing Cat. No.: **FPJ/404/414** having cable entries of size 0.5"/0.75"ET/NPT/BSP & 1" BSP for use in Gas Groups: I, IIA & IIB atmospheres only.

- Report on (REVALIDATION)

Your Ref. No. CMRI/6/45/IIB

Dated: 26/12/2007

Dear Sir,

Please find enclosed the **Supplementary Test Report** for **REVALIDATION** of the above sample as per IS: 2148-2004.

The above apparatus was earlier certified as per IS: 2148-1981 vide CMRI Certificate No. CMRI/TC/708 Dated: 15th July, 1994 mentioned in the schedule of this report.

Charges of **Rs. 8,820/- (Rupees Eight thousand Eight hundred & Twenty)** only including applicable service charges involved towards the testing/issuing the schedule have been adjusted against the advance deposit made by you.

Kindly arrange to collect the sample within 90 days from the date of receipt of this letter failing which CIMFR would dispose off the sample by public auction without any further NOTICE to you.

Kindly acknowledge receipt.

Thanking you,

Yours faithfully,


(G. M. PRASAD)

HEAD OF THE DEPARTMENT
TESTING CELL

Encl.: As above
Supplementary Report for Revalidation in Triplicate
Copy to: 1. Head, Flame & Explosion Lab.
2. Bill Section.

1 of 7

फोन-निदेशक Director
Ph.: 0091-326-2202326/2203043

पी० ए० एक्स PAX
Ph.: 0091-326-2203010/2203070/2203090/2205045/2209041

फैक्स FAX
0091-326-2201442/2202429/2204339/2203156

e-mail : dcmrips@yahoo.co.in, dcmri@csir.res.in • Website : www.cmriindia.nic.in

कार्यालय के दिन : सोमवार से शुक्रवार तक Working days : Monday to Friday